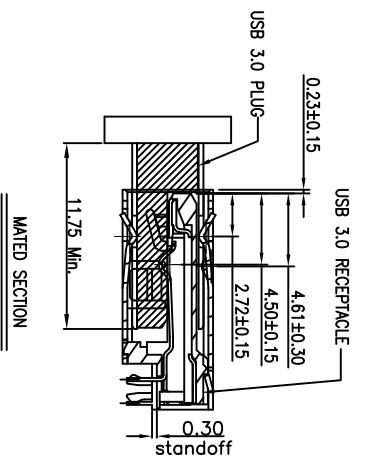
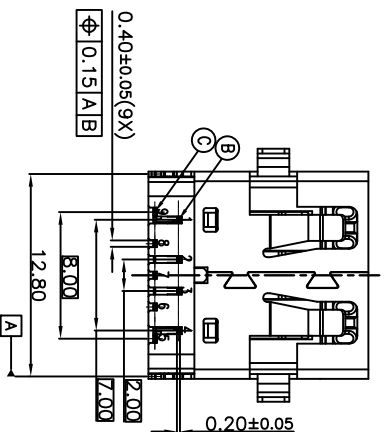
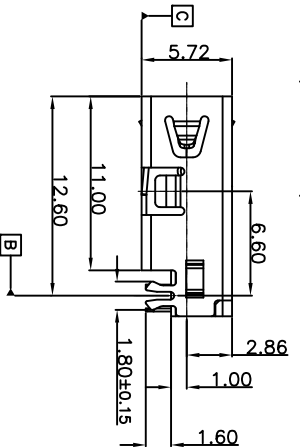
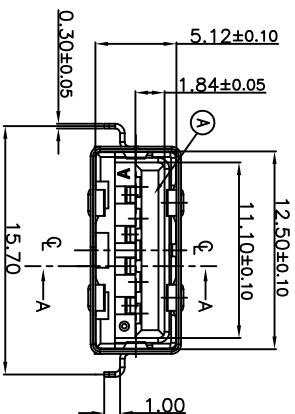
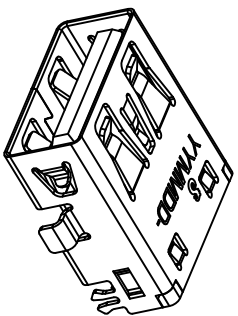


Recommended P.C.B Layout(TOP VIEW)
(THK: 1.0mm) TOLERANCE=±0.03



SPECIFICATIONS:

- ELECTRICAL CHARACTERISTICS:**
 - CURRENT RATING: 1.8A (PIN1,4) ; OTHER CONTACTS 0.25A
 - CONTACT RESISTANCE: 30mΩ MAX INITIAL FOR PIN 1-4, 50mΩ MAX INITIAL FOR OTHER PIN.
 - DIELECTRIC WITHSTANDING VOLTAGE: 100V AC FOR 1 MINUTE
 - INSULATION RESISTANCE: 100MΩ MIN.
- MECHANICAL CHARACTERISTICS:**
 - INSERTION FORCE : 3.5 Kgf MAX.
 - WITHDRAWAL FORCE : 1.0 Kgf MIN(INITIAL),0.8 Kgf(AFTER TEST)
 - DURABILITY: 5,000 CYCLES.
 - TO CONFORM TO SINGATRON HAZARDOUS SUBSTANCE FREE SPEC.
 - HALOGEN FREE IDENTIFICATION MARK ON JACK:
 - HALOGEN FREE IDENTIFICATION LABEL ON PACKAGING:
 - FOR IR REFLOW PROCESS.
 - DATE : YMMDD-
 - PACKAGING : TAPE & REEL



REMARK	USB2.0 CONTACT PIN		USB3.0 CONTACT PIN	
	Pin Number	Signal ASSIGNMENT	Pin Number	Signal ASSIGNMENT
	PIN 1	VBUS	PIN 1	PIN 4
	PIN 2	D-	PIN 2	SIDA_SSRX+
	PIN 3	D+	PIN 3	GND_DRAIN
	PIN 4	GND	PIN 4	SIDA_SSTX-
	PIN 5	SIDA_SSRX-	PIN 5	SIDA_SSTX+
	PIN 6	SIDA_SSRX+	PIN 6	SIDA_SSTX-
	PIN 7	GND_DRAIN	PIN 7	SIDA_SSTX+
	PIN 8	SIDA_SSTX-	PIN 8	SIDA_SSTX+
	PIN 9	SIDA_SSTX+	PIN 9	SIDA_SSTX+

NO	DESCRIPTION	QTY	MATERIAL	PLATING & COLOR
D	SHELL	1	SUSS04 1/2H, T=0.30	NICKEL 60uIN MIN
C	5 PIN TERMINAL	5	C2680-H, T=0.20	Au 2um OVER 30um Pd/Pt PLATED ON CONTACT AREA. Mater Sn 120um PLATED ON SOLDERING ALL OVER 80uIN NICKEL PLATING.
B	4 PIN TERMINAL	4	C5210-EH, T=0.20	
A	BODY	1	PA9T+45%GF, UL94-V0	BLACK

DECIMALS:	ANGLES:	TITLE
X : ±0.5	X : ±2°	DWN
X.X : ±0.3	X.X : ±1°	CHKD
X.XX : ±0.2		APVD

UNLESS OTHERWISE SPECIFIED TOLERANCES:	REV. ECN NO OR DESCRIPTION	REVISED	DATE
	A.	PDR NO: T131105-12A	fly
			2014.03.25

CUSTOMER COPY