

1

2

3

4

5

6

7

8

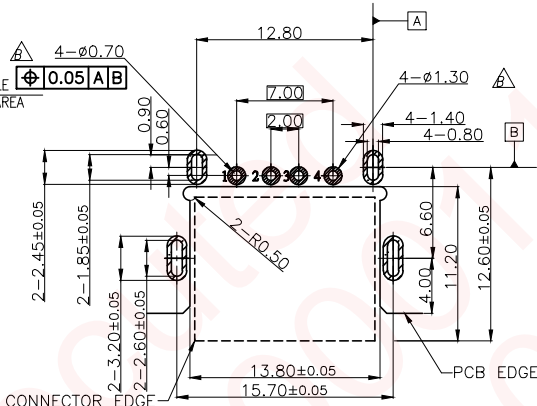
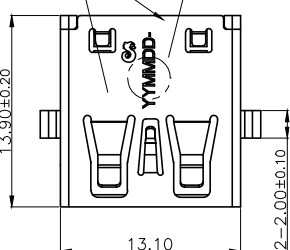
SINGATRON  
ELECTRONIC (CHINA) CO., LTD

REV.	ECN NO OR DESCRIPTION	REVISED	DATE
A	PDR NO: T140508-1A	ERIC	2014.09.09
B	ECN NO:S151048-C	PENG	2015.11.28

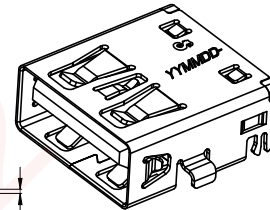
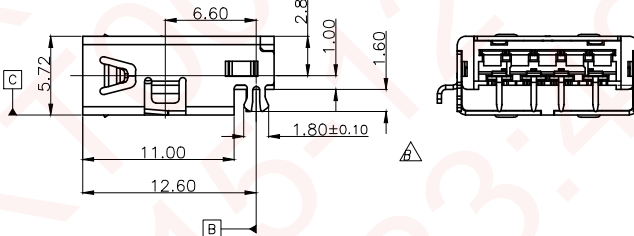
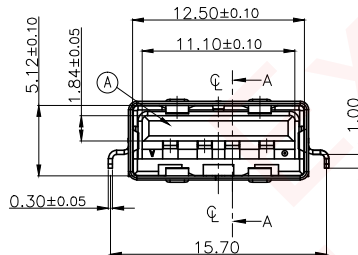
SPECIFICATIONS:

- ELECTRICAL CHARACTERISTICS:
  - CONTACT RESISTANCE: 30MΩ maximum when measured at 20MV maximum open circuit at 100mA
  - DIELECTRIC WITHSTANDING VOLTAGE: The dielectric must withstand 500V AC Max With 1 Minute
  - INSULATION RESISTANCE: 1000MΩ minimum
  - CURRENT RATING: 1.5A at 250V AC minimum when measured at an ambient temperature of 25° C
- MECHANICAL CHARACTERISTICS:
  - INSERTION FORCE : 3.5 Kgf MAX
  - WITHDRAWAL FORCE : 1.0 Kgf MIN
  - DURABILITY: 5,000 CYCLES.
- TO CONFORM TO SINGATRON HAZARDOUS SUBSTANCE FREE SPEC.
- HALOGEN PRODUCT IDENTIFICATION MARK IN JACK:
- HALOGEN PRODUCT IDENTIFICATION LABEL ON PACKAGING:
- FOR WAVE SOLDERING LEAD-FREE PROCESS.
- DATE : YMDD
- PACKAGING : TAPE & REEL.

DATE CODE (C)  
ø4.0mm AVAILABLE  
VACUUM PICK UP AREA

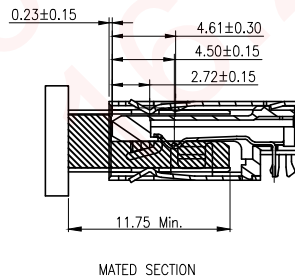
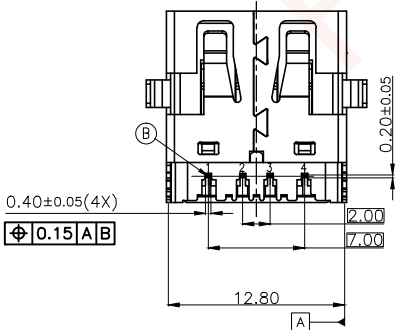


Recommended P.C.B Layout(TOP VIEW)  
(THK: 1.0mm) TOLERANCE=±0.03



3D VIEW

REMARK	Pin Number	Signal ASSIGNMENT
USB2.0 CONTACT PIN	PIN 1	VBUS
	PIN 2	D-
	PIN 3	D+
	PIN 4	GND



C	SHELL	1	SUS340 1/2H, T=0.30	NICKEL 60µin MIN
B	4 PIN TERMINAL	4	C5210-EH ,T=0.20	GOLD FLASH ON CONTACT AREA 100µ*(Min.)MATTE SN PLATED ON SOLDERING 60µ*(Min.)NICKEL UNDER PLATING OVERALL
A	BODY	1	PA4T+30%GF,UL94-V0	BLACK
NO DESCRIPTION		QTY	MATERIAL	PLATING & COLOR
UNLESS OTHERWISE SPECIFIED TOLERANCES		Singatron Enterprise Co., Ltd. 		
DECIMALS: ANGLES:		TITLE: USB 2.0 CONN.		
X	:±0.5	X	:±2°	DWN PENG PART NO:2UB3907-008111F
X.X	:±0.3	X.X	:±1°	CHKD JAMES SCALE:4:1 UNIT: mm
X.XX	:±0.2	APVD BOYE	SIZE: A3	SHEET:1 OF 1 REV: B
CUSTOMER COPY				