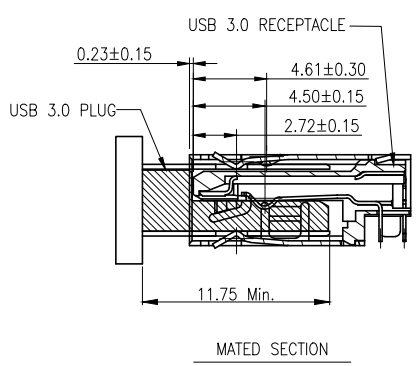
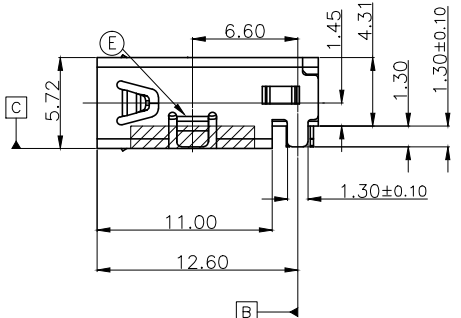


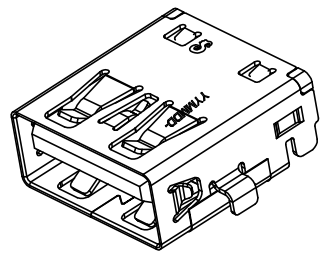
Recommended P.C.B Layout(TOP VIEW)
(THK:1.0mm) TOLERANCE=±0.03



REV.	ECN NO OR DESCRIPTION	REVISED	DATE
A	PDR NO: T140819-3A	JACK	2015.06.03
B	ECN NO: S160740-C	PENG	2016.09.14

SPECIFICATIONS:

- ELECTRICAL CHARACTERISTICS:
 - CURRENT RATING: 1.8A (PIN1,4) ; OTHER CONTACTS 0.25A
 - CONTACT RESISTANCE: 30mΩ MAX INITIAL FOR PIN 1-4.
50mΩ MAX INITIAL FOR OTHER PIN.
 - DIELECTRIC WITHSTANDING VOLTAGE: 100V AC FOR 1 MINUTE
 - INSULATION RESISTANCE: 100MΩ MIN .
- MECHANICAL CHARACTERISTICS:
 - INSERTION FORCE : 3.5 Kgf MAX.
 - WITHDRAWAL FORCE : 1.0~2.5Kgf (INITIAL),0.8~2.5Kgf(AFTER TEST)
- DURABILITY: 5,000 CYCLES.
- TO CONFORM TO SINGATRON HAZARDOUS SUBSTANCE FREE SPEC.
- HALOGEN FREE IDENTIFICATION MARK ON JACK:
- HALOGEN FREE IDENTIFICATION LABEL ON PACKAGING:
- FOR IR REFLOW PROCESS.
- DATE : YYMMDD-
- PACKAGING : TAPE & REEL



REMARK	Pin Number	Signal ASSIGNMENT
USB2.0 CONTACT PIN	PIN 1	VBUS
	PIN 2	D-
	PIN 3	D+
	PIN 4	GND
USB3.0 CONTACT PIN	PIN 5	StdA_SSRX-
	PIN 6	StdA_SSRX+
	PIN 7	GND_DRAIN
	PIN 8	StdA_SSTX-
	PIN 9	StdA_SSTX+

NO	DESCRIPTION	QTY	MATERIAL	PLATING & COLOR
E	MYLAR	2	4.00X8.0mm	YELLOW
D	SHELL	1	SUS304-1/2H,T=0.30	NICKEL 60uin MIN
C	5 PIN TERMINAL	5	C2680-EH,T=0.20	Au 2uin OVER 30uin Pd/Ni PLATED ON CONTACT AREA; Sn 120uin PLATED ON SOLDERING ALL OVER 80uin NICKET PLATING.
B	4 PIN TERMINAL	4	C5210-EH,T=0.20	
A	BODY	1	PA9T+45%GF,UL94-V0	BLUE(300C)

UNLESS OTHERWISE SPECIFIED TOLERANCES		SINGATRON ENTERPRISE CO., LTD. 信音企業股份有限公司	
DECIMALS:	ANGLES:	TITLE	
X :±0.5	X :±2°	DWN	peng
X.X :±0.3	X.X :±1°	CHKD	james
X.XX :±0.2		APVD	boye
		SCALE:4:1 UNIT: mm	
		SIZE: A3 SHEET:1 OF 1	
		REV: B	
CUSTOMER COPY			