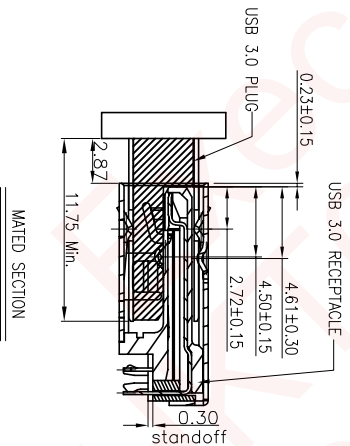
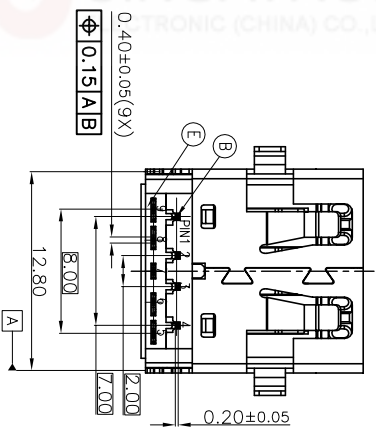
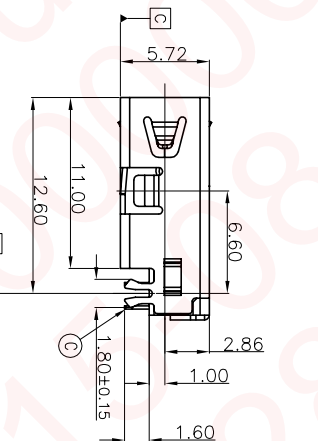
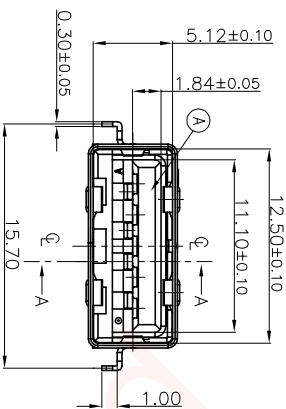


Recommended P.C.B Layout(TOP VIEW)
(THK:1.0mm) TOLERANCE=±0.03



SPECIFICATIONS:

- ELECTRICAL CHARACTERISTICS:
 - 1-1. CURRENT RATING: 1.8A (PIN1,4) ; OTHER CONTACTS 0.25A
 - 1-2. CONTACT RESISTANCE: 30mΩ MAX INITIAL FOR PIN 1-4, 50mΩ MAX INITIAL FOR OTHER PIN.
 - 1-3. DIELECTRIC WITHSTANDING VOLTAGE: 100V AC FOR 1 MINUTE
 - 1-4. INSULATION RESISTANCE: 100MΩ MIN .
- MECHANICAL CHARACTERISTICS:
 - 2-1. INSERTION FORCE : 3.5 Kgf MAX.
 - 2-2. WITHDRAWAL FORCE : 1.0 Kgf MIN(INITIAL),0.8 Kgf(AFTER TEST)
- DURABILITY: 5,000 CYCLES.
- TO CONFORM TO SINGATRON HAZARDOUS SUBSTANCE FREE SPEC.
- HALOGEN FREE IDENTIFICATION MARK ON JACK: ♻️
- HALOGEN FREE IDENTIFICATION LABEL ON PACKAGING: ♻️
- FOR IR REFLOW PROCESS.
- DATE : YVMDD-
- PACKAGING : TAPE & REEL

REMARK	Pin Number	Signal ASSIGNMENT
USB2.0 CONTACT PIN	PIN 1	VBUS
	PIN 2	D-
	PIN 3	D+
	PIN 4	GND
USB3.0 CONTACT PIN	PIN 5	Si4A_SSRX-
	PIN 6	Si4A_SSRX+
	PIN 7	GND_DRAIN
	PIN 8	Si4A_SSTX-
	PIN 9	Si4A_SSTX+

NO	DESCRIPTION	QTY	MATERIAL	PLATING & COLOR
E	CAP	1	PA-4T+30%GF(TX1)	BLACK
D	SHELL	1	SUS304 1/2H, T=0.30	NICKEL 60um MIN
C	5 PIN TERMINAL	5	C2680-H, T=0.20	Al 2um OVER 30um Pd/Ni PLATED ON CONTACT AREA. Ni40 5μ 120um PLATED ON SOLDERING ALL OVER 80um NICKEL PLATING.
B	4 PIN TERMINAL	4	C5210-EH, T=0.20	
A	BODY	1	PA-4T+30%GF(TX1)	BLACK
NO	DESCRIPTION	QTY	MATERIAL	PLATING & COLOR

UNLESS OTHERWISE SPECIFIED TOLERANCES

DECIMALS:	ANGLES:
X :±0.5	X :±2°
XX :±0.3	X.X :±1°
XXX :±0.2	

Singatron Enterprise Co., Ltd.
信登企业股份有限公司

TITLE USB 3.0 STD CONNECTOR

DWN	ALLEN	PART NO.:SUB3907-021101F
CHKD	JAMES	SCALE:4:1
APVD	BOYE	SIZE: A3
		SHEET:1 OF 1

CUSTOMER COPY