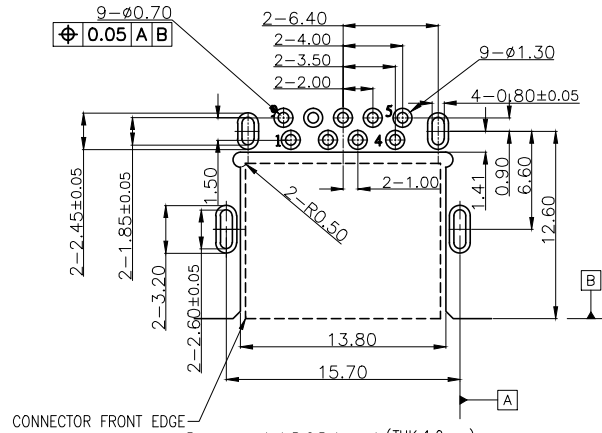
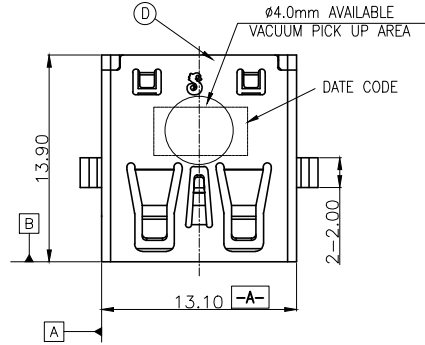


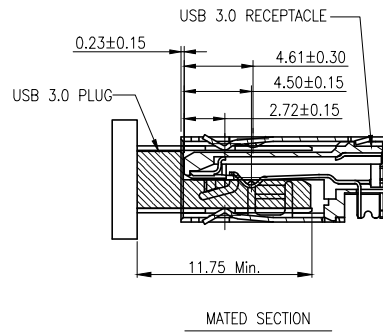
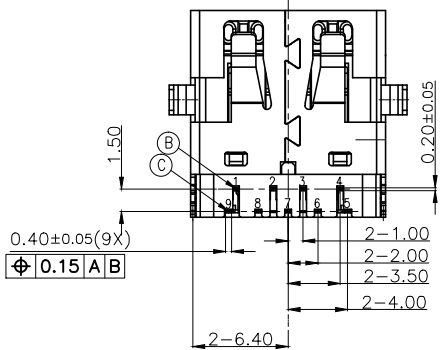
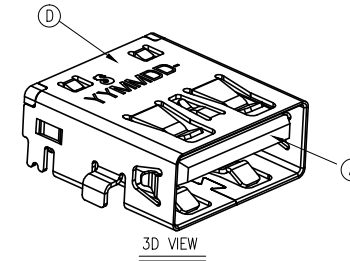
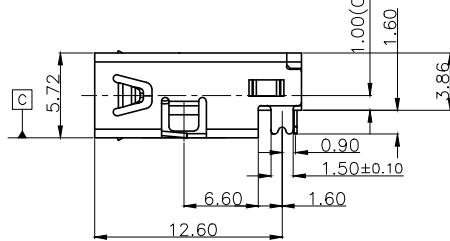
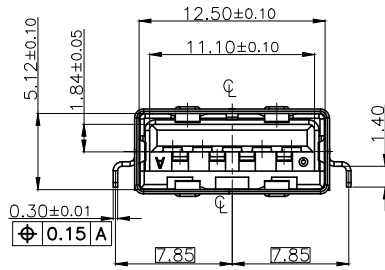
REV.	ECN NO OR DESCRIPTION	REVISED	DATE
A	PDR NO: S180131-4A	Charles	2019.01.30
B	ECN NO: S190211-R 修正圖面規格	Charles	2019.02.16

SPECIFICATIONS:

- ELECTRICAL CHARACTERISTICS:
 - CURRENT RATING: 1.8A (PIN1,4) ; OTHER CONTACTS 0.25A
 - CONTACT RESISTANCE: 30mΩ MAX INITIAL FOR PIN 1-4.
50mΩ MAX INITIAL FOR OTHER PIN.
 - DIELECTRIC WITHSTANDING VOLTAGE: 100V AC FOR 1 MINUTE
 - INSULATION RESISTANCE: 100MΩ MIN .
- MECHANICAL CHARACTERISTICS:
 - INSERTION FORCE : 3.0 Kgf MAX.
 - WITHDRAWAL FORCE : 3.0Kgf MAX.
INITIAL : 1.0Kgf MIN.
TEST AFTER : 0.80Kgf MIN.
- DURABILITY: 5,000 CYCLES.
- TO CONFORM TO SINGATRON HAZARDOUS SUBSTANCE FREE SPEC.
- HALOGEN PRODUCT IDENTIFICATION MARK ON JACK:
- HALOGEN PRODUCT IDENTIFICATION LABEL ON PACKAGING:
- FOR IR REFLOW PROCESS.
- DATE : YYMMDD-
- PACKAGING : TAPE & REEL



CONNECTOR FRONT EDGE
Recommended P.C.B Layout (THK:1.0mm)
(Component Side) TOLERANCE=±0.03



REMARK	Pin Number	Signal ASSIGNMENT
USB2.0 CONTACT PIN	PIN 1	VBUS
	PIN 2	D-
	PIN 3	D+
	PIN 4	GND
USB3.0 CONTACT PIN	PIN 5	StdA_SSRX-
	PIN 6	StdA_SSRX+
	PIN 7	GND_DRAIN
	PIN 8	StdA_SSTX-
	PIN 9	StdA_SSTX+

NO	DESCRIPTION	QTY	MATERIAL	PLATING & COLOR
D	SHELL	1	STAINLESS STEEL T=0.30	NICKEL 60uin MIN
C	5 PIN TERMINAL	5	BRASS T=0.20	Au 5u" PLATED ON CONTACT AREA; Matte Sn 100uin PLATED ON SOLDERING
B	4 PIN TERMINAL	4	PHOSPHOR BRONZE T=0.20	ALL OVER 80uin NICKEL PLATING.
A	BODY	1	PA-9T UL94V-0	BLACK

UNLESS OTHERWISE SPECIFIED TOLERANCES		SINGATRON ENTERPRISE CO., LTD. 信音企業股份有限公司	
DECIMALS:	ANGLES:	TITLE: USB 3.0 STD CONNECTOR	
X :±0.5	X :±2°	DWN	Charles PART NO:2UB3907-037101F
X.X :±0.3	X.X :±1°	CHKD	James SCALE:4:1 UNIT: mm
X.XX :±0.2		APVD	Boye SIZE: A3 SHEET:1 OF 1 REV:B

CUSTOMER COPY