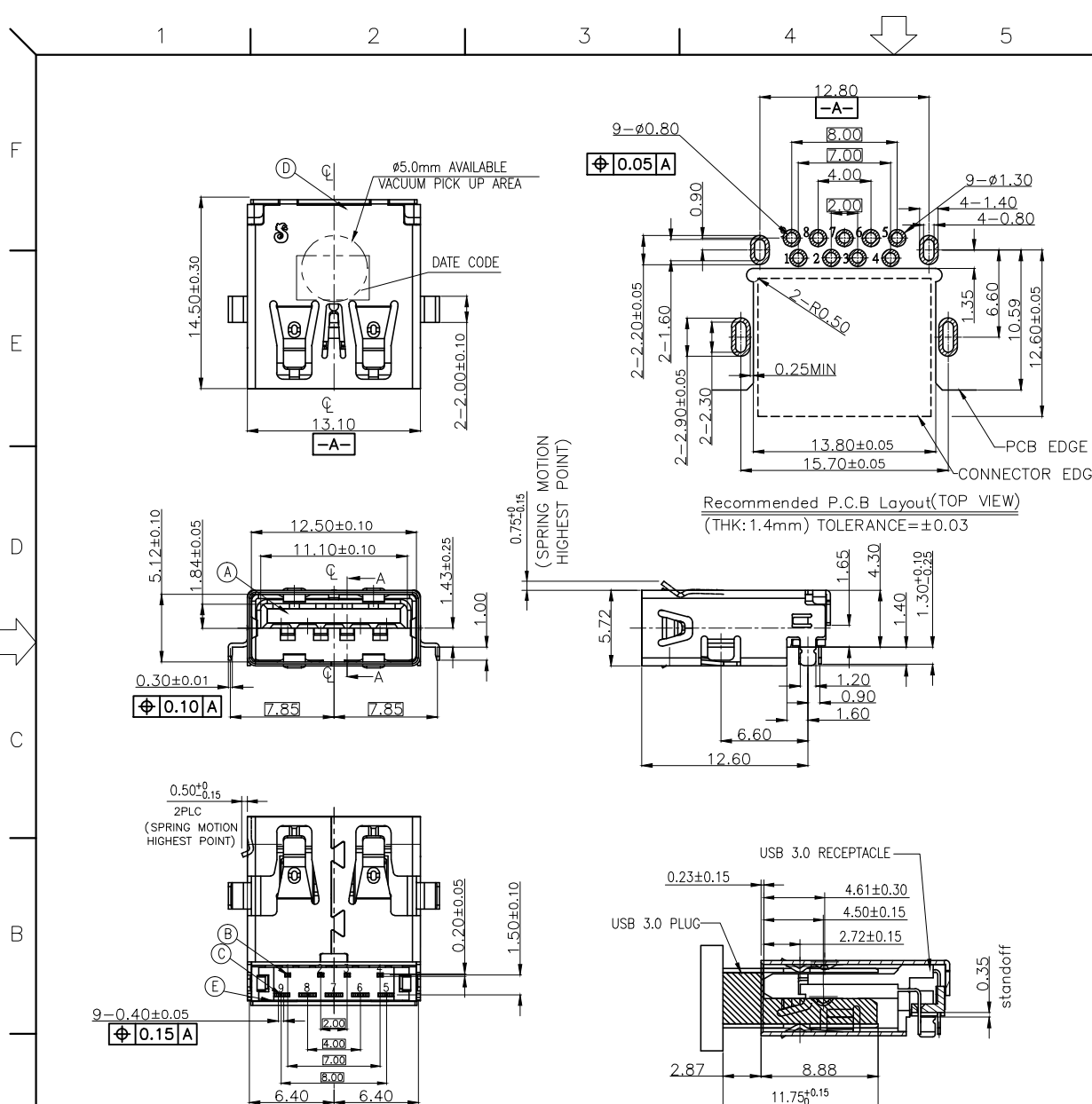
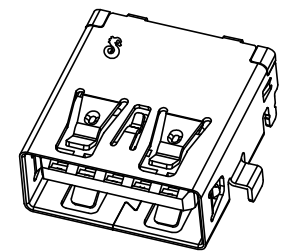


REV.	ECN NO OR DESCRIPTION	REVISED	DATE
A	PDR NO:T171027-1A/1B	Charles	2019.01.28



- SPECIFICATIONS:
- ELECTRICAL CHARACTERISTICS:
 - CURRENT RATING: 1.8A (PIN1,4) ; OTHER CONTACTS 0.25A
 - CONTACT RESISTANCE: 30mΩ MAX INITIAL FOR PIN 1-4. 50mΩ MAX INITIAL FOR OTHER PIN.
 - DIELECTRIC WITHSTANDING VOLTAGE: 100V AC FOR 1 MINUTE
 - INSULATION RESISTANCE: 100MΩ MIN .
 - MECHANICAL CHARACTERISTICS:
 - INSERTION FORCE : 3.0 Kgf MAX.
 - WITHDRAWAL FORCE : 1.0Kgf MIN (INITIAL),0.8Kgf(AFTER TEST)
 - DURABILITY: 5,000 CYCLES.
 - TO CONFORM TO SINGATRON HAZARDOUS SUBSTANCE FREE SPEC.
 - HALOGEN FREE IDENTIFICATION MARK ON JACK:
 - HALOGEN FREE IDENTIFICATION LABEL ON PACKAGING:
 - FOR IR REFLOW PROCESS.
 - DATE : YYMMDD-
 - PACKAGING : TAPE & REEL



REMARK	Pin Number	Signal ASSIGNMENT
USB2.0 CONTACT PIN	PIN 1	VBUS
	PIN 2	D-
	PIN 3	D+
	PIN 4	GND
USB3.0 CONTACT PIN	PIN 5	StdA_SSRX-
	PIN 6	StdA_SSRX+
	PIN 7	GND_DRAIN
	PIN 8	StdA_SSTX-
	PIN 9	StdA_SSTX+

Recommended P.C.B Layout(TOP VIEW)
(THK:1.4mm) TOLERANCE=±0.03

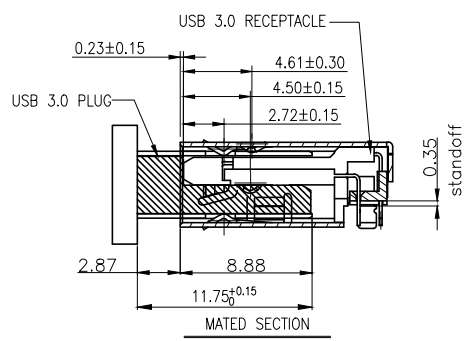


TABLE	
2UB3907-036101F	Au 30µin PLATED ON CONTACT AREA; Matte Sn 120µin PLATED ON SOLDERING ALL OVER 80µin NICKEL PLATING.
2UB3907-035101F	G/F PLATED ON CONTACT AREA; Matte Sn 120µin PLATED ON SOLDERING ALL OVER 80µin NICKEL PLATING.

NO	DESCRIPTION	QTY	MATERIAL	PLATING & COLOR
E	COVER	1	PA-9T	BLACK
D	SHELL	1	STAINLESS STEEL	NICKEL 60µin MIN
C	5 PIN TERMINAL	5	COPPER ALLOY	SEE TABLE
B	4 PIN TERMINAL	4	COPPER ALLOY	
A	BODY	1	PA-9T	RED 186C

NO	DESCRIPTION	QTY	MATERIAL	PLATING & COLOR
UNLESS OTHERWISE SPECIFIED TOLERANCES		Singatron Enterprise Co., Ltd. 信音企業股份有限公司		
DECIMALS:	ANGLES:	TITLE: USB 3.0 STD CONNECTOR		
X :±0.5	X :±2°	DWN	Charles	PART NO:2UB3907-03X101F
X.X :±0.3	X.X :±1°	CHKD	James	SCALE:4:1 UNIT: mm
X.XX :±0.2		APVD	Boye	SIZE: A3 SHEET:1 OF 1 REV:A
CUSTOMER COPY				