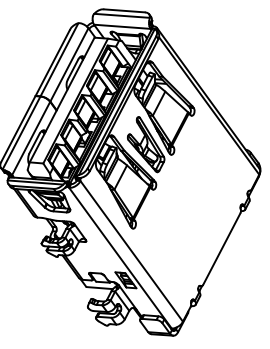
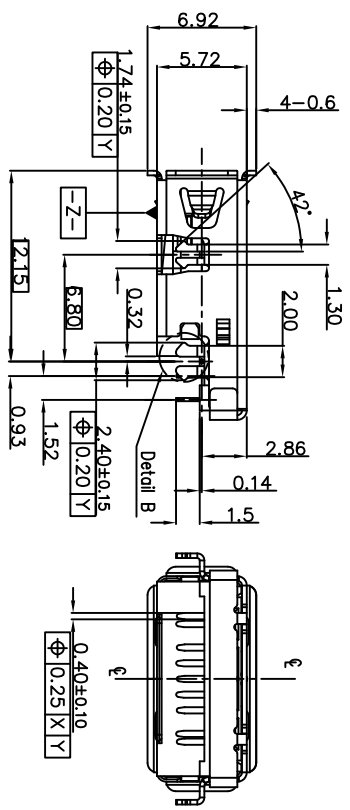
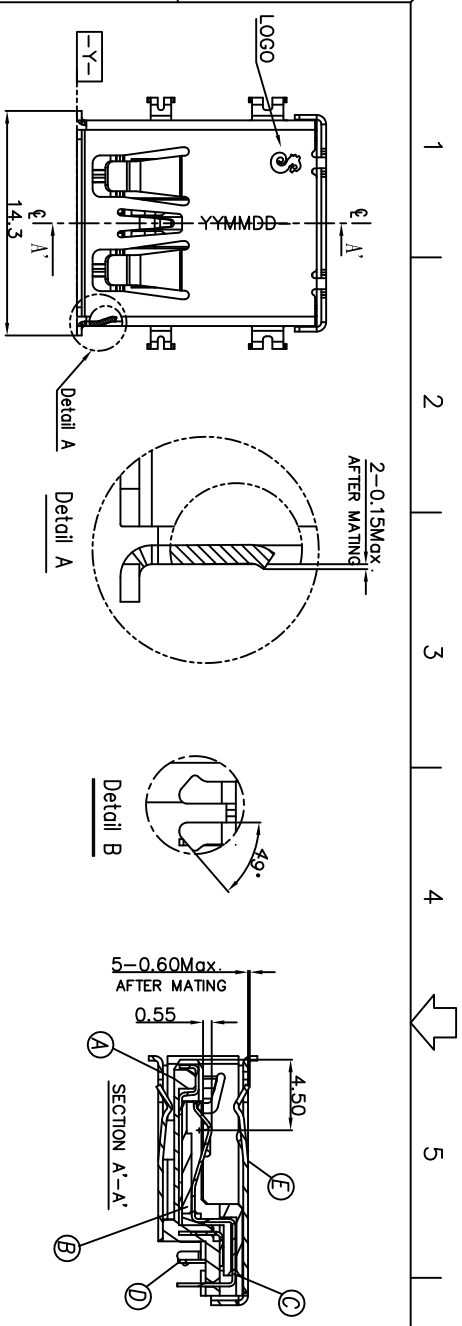
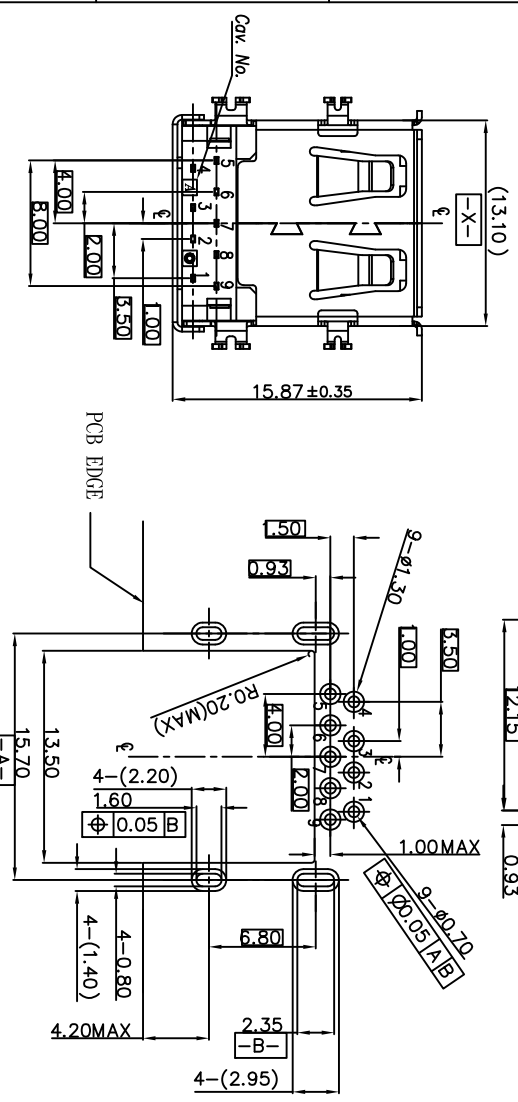


REV. ECN NO OR DESCRIPTION	REVISED	DATE
A PDR NO: S120615-4A	ERIC	2013.06.20

1. ELECTRICAL CHARACTERISTICS:
- 1-1. CURRENT RATING: 1.8A (PIN1,4) ; OTHER CONTACTS 0.25A
  - 1-2. CONTACT RESISTANCE: 30mΩ MAX.
  - 1-3. DIELECTRIC WITHSTANDING VOLTAGE: 100V AC FOR 1 MINUTE
  - 1-4. INSULATION RESISTANCE: 100MΩ MIN.
2. MECHANICAL CHARACTERISTICS:
- 2-1. INSERTION FORCE : 3.00 Kgf MAX.
  - 2-2. WITHDRAWAL FORCE : 0.70~3.00 Kgf.
3. DURABILITY: 5,000 CYCLES.
4. TO CONFORM TO SINGATRON HAZARDOUS SUBSTANCE FREE SPEC.
5. HALOGEN PRODUCT IDENTIFICATION MARK ON JACK
6. HALOGEN PRODUCT IDENTIFICATION LABEL ON PACKAGING
7. FOR WAVE SOLDERING LEAD-FREE PROCESS.
8. DATE : YYMMDD-
9. PACKAGING : TAPE & REEL.



3D DRAWING



Recommended P.C.B Layout(THK:1.25mm)  
TOLERANCE=±0.05 (TOP VIEW)

Pin Number	Signal ASSIGNMENT
PIN 1	VBUS
PIN 2	D-
PIN 3	D+
PIN 4	GND
PIN 5	SIDA_SSRX-
PIN 6	SIDA_SSRX+
PIN 7	GND_DRAIN
PIN 8	SIDA_SSTX-
PIN 9	SIDA_SSTX+

NO	DESCRIPTION	QTY	MATERIAL	PLATING & COLOR
E	SHELL	1	SUS,T=0.30	NICKEL 60U *MIN
D	5 PIN TERMINAL	5	COPPER ALLOY, T=0.20	2a*(Um/Min + 30c*(Um/Min PLATED ON MATING AREA, 120c*(Um/Min PLATED ON SOLDERING AREAS), 100c*(Um/Min UNDER PLATING OVERALL
C	4 PIN TERMINAL	4	COPPER ALLOY, T=0.20	2a*(Um/Min + 30c*(Um/Min PLATED ON MATING AREAS), 120c*(Um/Min PLATED ON SOLDERING AREAS), 100c*(Um/Min UNDER PLATING OVERALL
B	BASE	1	HIGH TEMP. THERMOPLASTIC UL 94V-0	BLACK
A	BODY	1	HIGH TEMP. THERMOPLASTIC THERMOPLASTIC UL 94V-0	BLACK

Singatron Enterprise Co., Ltd.  
信音企業股份有限公司

USB 3.0 SINKING CONNECTOR

DWN	ERIC	PART NO:2UB3908-000101F
CHKD	BOYE	SCALE:4:1 UNIT: mm
APVD	QUAN	SIZE: A3 SHEET: 1 OF 1 REV: A

CUSTOMER COPY

1 2 3 4 5 6 7 8