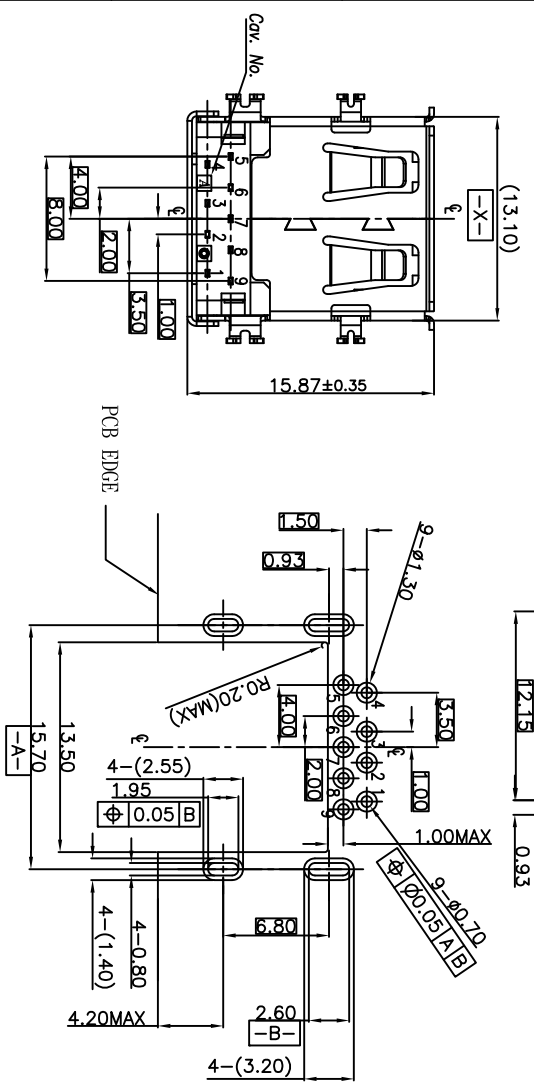
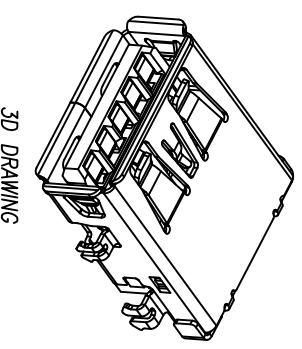
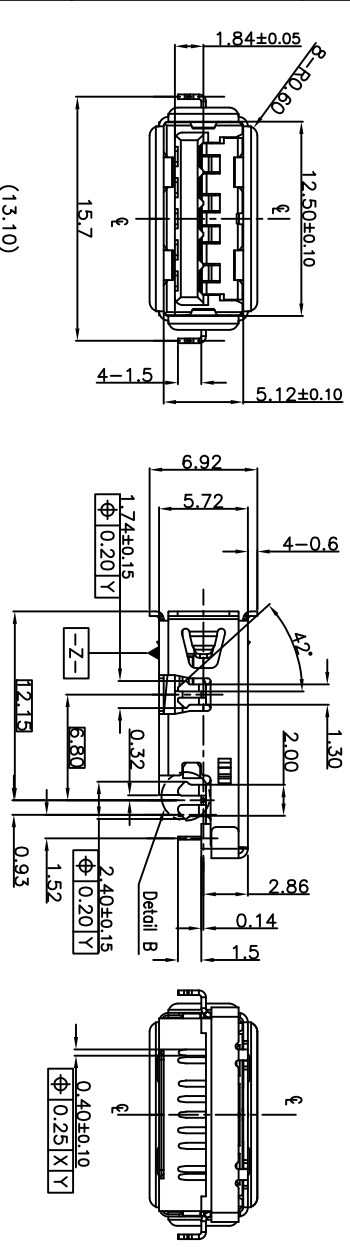
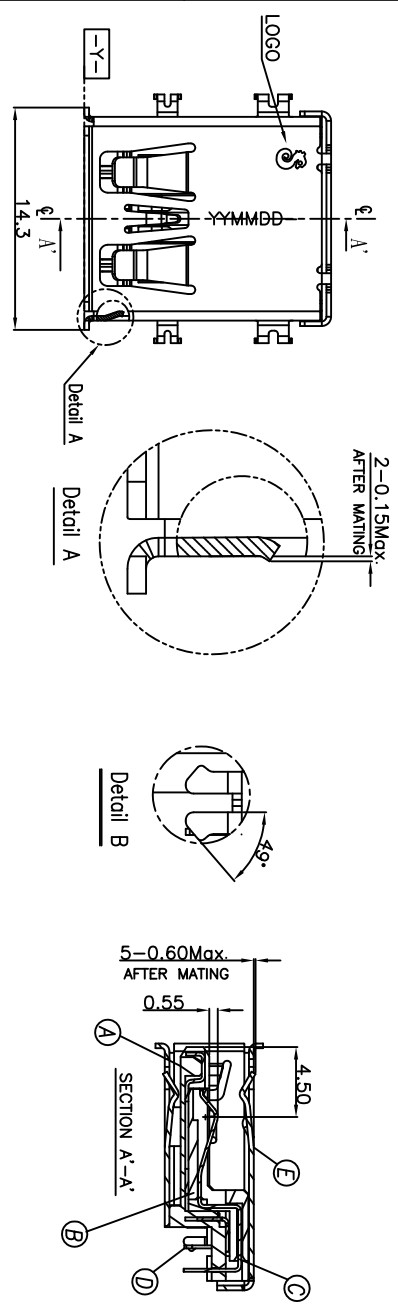


REV.	ECN NO OR DESCRIPTION	REVISED	DATE
A	PDR NO: T150107-2A	JAMES	2015.03.03

- SPECIFICATIONS:**
- ELECTRICAL CHARACTERISTICS:
    - CURRENT RATING: 1.8A (PIN1,4) ; OTHER CONTACTS 0.25A
    - CONTACT RESISTANCE: 30mΩ MAX.
    - DIELECTRIC WITHSTANDING VOLTAGE: 100V AC FOR 1 MINUTE
    - INSULATION RESISTANCE: 100MΩ MIN.
  - MECHANICAL CHARACTERISTICS:
    - INSERTION FORCE : 3.00 Kgf MAX.
    - WITHDRAWAL FORCE : 0.70~3.00 Kgf .
    - DURABILITY: 5,000 CYCLES.
    - TO CONFORM TO SINGATRON HAZARDOUS SUBSTANCE FREE SPEC.
    - HALOGEN PRODUCT IDENTIFICATION MARK ON JACK:
    - HALOGEN PRODUCT IDENTIFICATION LABEL ON PACKAGING:
    - FOR WAVE SOLDERING LEAD-FREE PROCESS.
    - DATE : YYMMDD-
    - PACKAGING : TAPE & REEL.



Recommended P.C.B Layout(THK:1.25mm)  
TOLERANCE=±0.05 (TOP VIEW)

Pin Number	Signal ASSIGNMENT
PIN 1	VBUS
PIN 2	D-
PIN 3	D+
PIN 4	GND
PIN 5	SDA_SSR-
PIN 6	SDA_SSR+
PIN 7	GND_DRAIN
PIN 8	SDA_SSTX-
PIN 9	SDA_SSTX+

NO	DESCRIPTION	QTY	MATERIAL	PLATING & COLOR
E	SHELL	1	SUS,T=0.30	NICKEL 60u"MIN
D	5 PIN TERMINAL	5	COPPER ALLOY, T=0.20	20/10u"Ni + 20/10u"Pd/Pt PLATED ON LAMING AND 100/10u"Sn PLATED ON SOLIDWELD 60/40u"Ni/Cu UNDER PLATING OVERALL.
C	4 PIN TERMINAL	4	COPPER ALLOY, T=0.20	20/10u"Ni + 20/10u"Pd/Pt PLATED ON LAMING AND 100/10u"Sn PLATED ON SOLIDWELD 60/40u"Ni/Cu UNDER PLATING OVERALL.
B	BASE	1	HIGH TEMP.THERMOPLASTIC UL 94V-0	BLUE
A	BODY	1	HIGH TEMP.THERMOPLASTIC THERMOPLASTIC 94V-0	BLUE

Singatron Enterprise Co., Ltd.  
信音企業股份有限公司

TITLE	USB 3.0 SINKING CONNECTOR			
DWN	JAMES	PART NO:2UB3908-005101F	SCALE:4:1	UNIT: mm
CHKD				
APVD	BOYE	SIZE: A3	SHEET: 1 OF 1	REV: A

CUSTOMER COPY