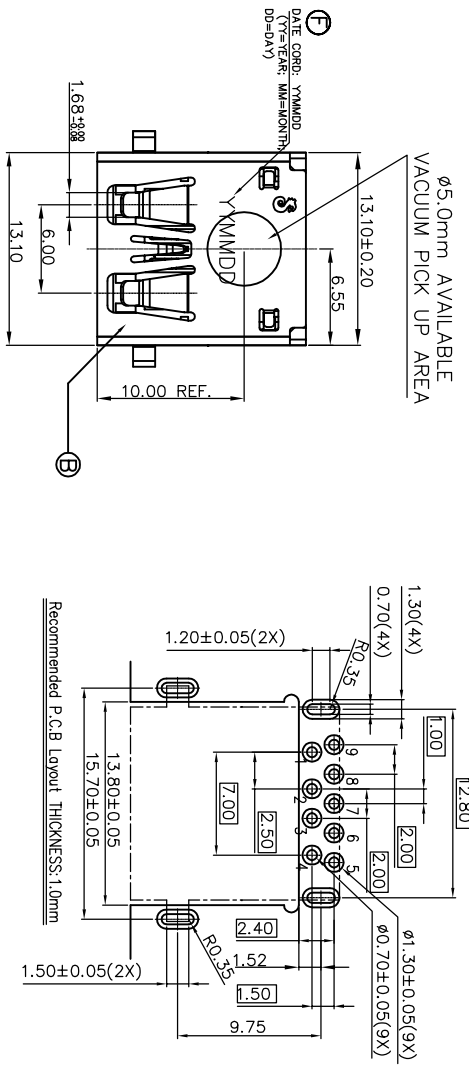
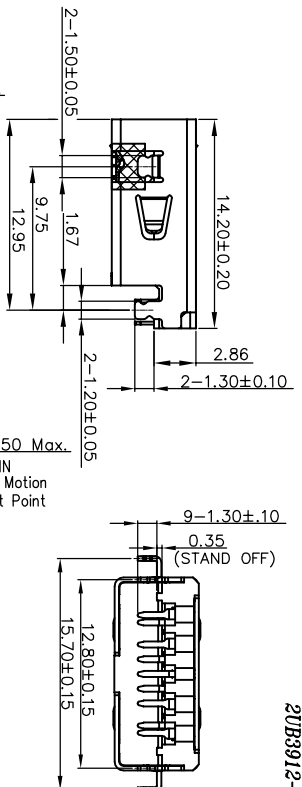
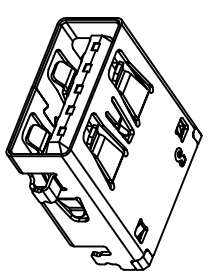


REV.	ECN NO.	OR DESCRIPTION	REVISED	DATE
A		PDR RELEASE	IVY-C	2014.06.18

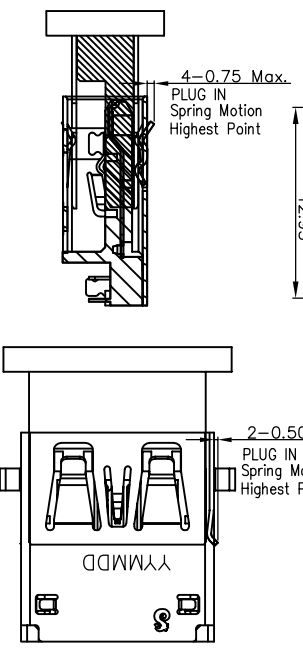
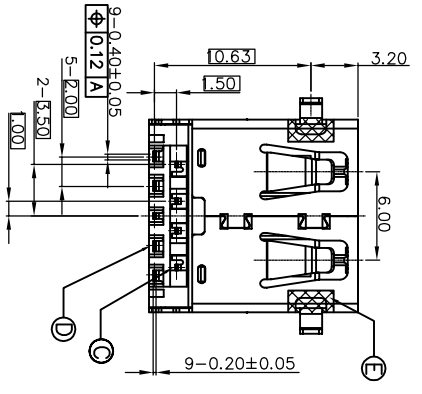


- SPECIFICATIONS:**
- 1. ELECTRICAL CHARACTERISTICS:**
- 1-1. CURRENT RATING: 1.84 Max. per contact(Signal application only)
 - 1-2. CONTACT RESISTANCE: 30mΩ MAX.
 - 1-3. INSULATION RESISTANCE: 100MΩ MIN. @100V DC.
 - 1-4. DIELECTRIC WITHSTANDING VOLTAGE: 300V AC FOR 1 MINUTE.
- 2. MECHANICAL CHARACTERISTICS:**
- 2-1. INSERTION FORCE: 3.5kg MAX.
 - 2-2. WITHDRAWAL FORCE: 1.0kg MIN. FOR INITIAL, AND 0.8kg MIN. AFTER TEST.
- 3. LIFE TEST: 5,000 CYCLES**
- 4. TEMPERATURE RANGE: -55°C TO +85°C.**
- 5. TO CONFORM TO THE SINGATRON HAZARDOUS SUBSTANCE FREE SPEC.**
- 6. HALOGEN FREE PRODUCT IDENTIFICATION LABEL ON PACKAGING:**
- 7. PACKAGE: SEE "2UB3912-010102F" PACKAGE.**
- 8. FOR REFLOW SOLDERING LEAD-FREE PROCESS.**
- 9. OTHER GENERAL SPEC. TO REFER "2UB3912-010102F SPEC".**



- PART NO.**
2UB3912-010102F
- SUFFIX: HALOGEN FREE
 - PACKAGE
 - 2: TAPE & REEL (Inventec)
 - HOUSING & BASE COLOR
 - 0: BLUE(300C)
- CONTACT PLATING**
- 1: GOLD FLASH PLATING ON CONTACT AREA,
MATTE Sn 120~200u". ON SOLDERING AREA,
80~150u" NICKEL UNDER PLATING OVERALL

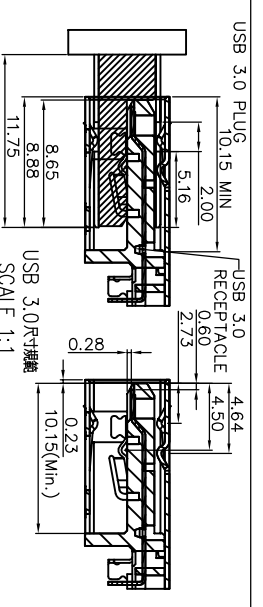
P/N	SIGNAL ASSIGNMENT
1#	VBUS
2#	D-
3#	D+
4#	PGND
5#	SSRX-
6#	SSRX+
7#	GND
8#	SSTX-
9#	SSTX+



NO	DESCRIPTION	QTY	MATERIAL	PLATING & COLOR
F	INK	-	N/A	BLACK
E	MYLAR	2	KAPTON FILM	
D	SPIN TERMINAL	5	C2680-H, 0.20t	SEE PART NO.
C	4PIN TERMINAL	4	C5210-EH, 0.20t	SEE PART NO.
B	SHELL	1	SUS304-1/2H, 0.30t	NICKEL PLATING
A	HOUSING	1	PA9T, U94-V0	SEE PART NO.

UNLESS OTHERWISE SPECIFIED TOLERANCES

Singatron Enterprise Co., Ltd.
信音企業股份有限公司



DECIMALS: ANGLES: TITLE

X : ±0.5 X : ±2°

XX : ±0.3 XX : ±1°

XXX : ±0.2

USB 3.0 PLUG 10.15 MIN

USB 3.0 RECEPTACLE 2.00

USB 3.0 RECEPTACLE 4.64

SCALE 1:1

CHKD	APVD	DATE	SCALE	SHEET	REV
			N/A	1 OF 1	A

CUSTOMER COPY