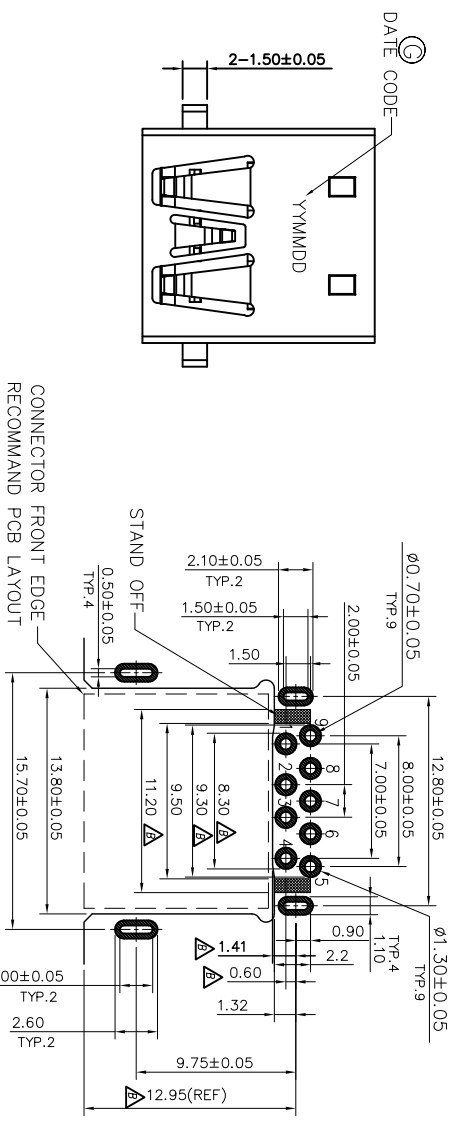


REV.	ECN NO. OR DESCRIPTION	REVISED	DATE
A	PDR RELEASE	IYY-C	2013.08.06
B	ECN NO: L140024	IYY-C	2014.04.14

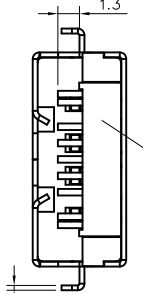
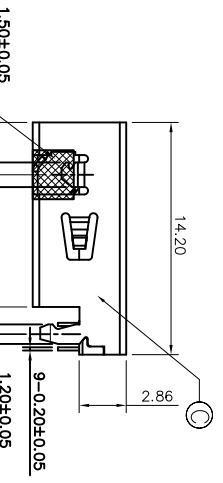
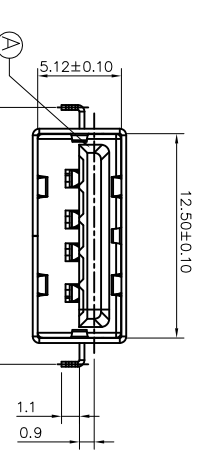
SPECIFICATIONS:

- 1. ELECTRICAL CHARACTERISTICS:**
- 1-1. CURRENT RATING: 1.8A Max. per contact (Signal application only)
 - 1-2. CONTACT RESISTANCE: 30mΩ MAX.
 - 1-3. INSULATION RESISTANCE: 100MΩ MIN. @100V DC.
 - 1-4. DIELECTRIC WITHSTANDING VOLTAGE: 300V AC FOR 1 MINUTE.
- 2. MECHANICAL CHARACTERISTICS:**
- 2-1. INSERTION FORCE: 3.5kg MAX.
 - 2-2. WITHDRAWAL FORCE: 1.0kg MIN. FOR INITIAL, AND 0.8kg MIN. AFTER TEST.
- 3. LIFE TEST: 5,000 CYCLES.
 - 4. TEMPERATURE RANGE: -55°C TO +85°C.
 - 5. TO CONFORM TO THE SINGATRON HAZARDOUS SUBSTANCE FREE SPEC.
 - 6. HALOGEN FREE PRODUCT IDENTIFICATION LABEL ON PACKAGING
 - 7. PACKAGE: SEE "2UB3912-010111F" PACKAGE.
 - 8. FOR REFLOW SOLDERING LEAD-FREE PROCESS.
 - 9. OTHER GENERAL SPEC. TO REFER "2UB3912-010111F SPEC".



CONNECTOR FRONT EDGE
RECOMMEND PCB LAYOUT

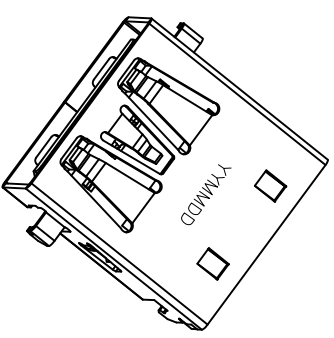
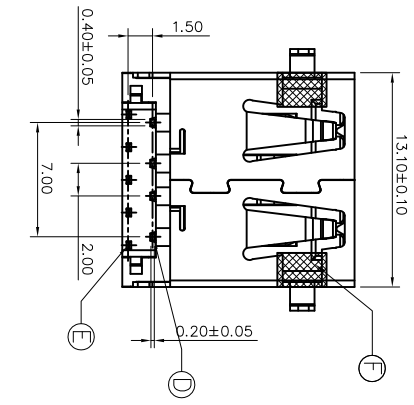
Recommended P.C.B. Layout (Thk: 1.0mm)
(Component Side) TOLERANCE=±0.03



SUFFIX: HALOGEN FREE
PACKAGE
I: TAPE & REEL
HOUSING & BASE COLOR
I: BLACK

CONTACT PLATING
1: GOLD FLASH PLATING ON CONTACT AREA,
MATTE TIN PLATING ON SOLDER AREA,
NICKEL UNDERPLATING OVERALL.

PIN NO.	SIGNAL ASSIGNMENT
1#	VBUS
2#	D-
3#	D+
4#	PGND
5#	SSRX-
6#	SSRX+
7#	GND
8#	SSTX-
9#	SSTX+



NO.	DESCRIPTION	QTY	MATERIAL	PLATING & COLOR
A	HOUSING	1	HIGH TEMP. THERMO-PLASTIC, UL 94-V0	SEE PART NO.
B	BASE	1	HIGH TEMP. THERMO-PLASTIC, UL 94-V0	SEE PART NO.
C	SHELL	1	STEEL ALLOY	NICKEL PLATING
D	4PIN TERMINAL	4	COPPER ALLOY	SEE PART NO.
E	SPIN TERMINAL	5	COPPER ALLOY	SEE PART NO.
F	MYLAR	2	KAPTON FILM	BLACK
G	INK	-	N/A	BLACK

UNLESS OTHERWISE SPECIFIED TOLERANCES

Singatron Enterprise Co., Ltd.
信音企業股份有限公司

DECIMALS:	ANGLES:	TITLE
X : ±0.5	X : ±2°	USB3.0 R/A, DIP TYPE
X.X : ±0.3	X.X : ±1'	IPC-2014M4 PART NO. 2UB3912-010111F
X.XX : ±0.2		CHKD SCALE 3:1 UNIT: mm
		APVD AME12/20/24/14 SIZE: A3 SHEET: 1 OF 1 REV: B

CUSTOMER COPY