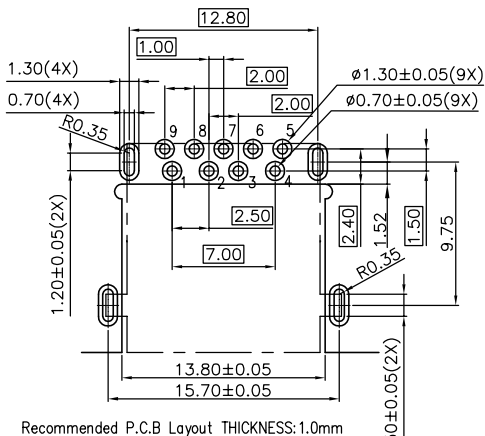
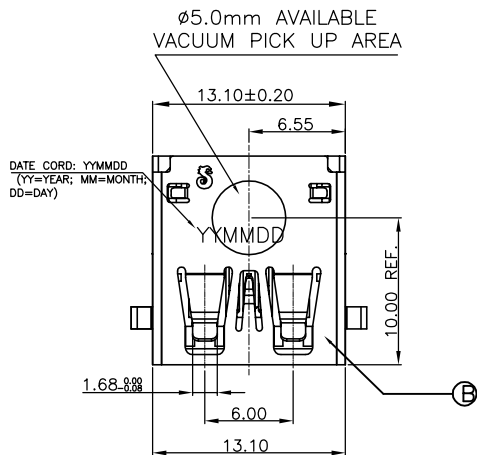


REV.	ECN NO OR DESCRIPTION	REVISED	DATE
A	PDR RELEASE	IVY-C	2016.05.02



SPECIFICATIONS:

- ELECTRICAL CHARACTERISTICS:
 - CURRENT RATING: 2.0A (PIN1,4) ; OTHER CONTACTS 0.25A
 - CONTACT RESISTANCE: 30mΩ MAX.
 - INSULATION RESISTANCE: 100MΩ MIN. @100V DC.
 - DIELECTRIC WITHSTANDING VOLTAGE: 500V AC FOR 1 MINUTE.
- MECHANICAL CHARACTERISTICS:
 - INSERTION FORCE: 3.5Kg MAX.
 - WITHDRAWAL FORCE: 1.0~2.5Kg FOR INITIAL, AND 0.8~2.5Kg AFTER TEST.
- LIFE TEST: 5,000 CYCLES.
- TEMPERATURE RANGE: -55°C TO +85°C.
- TO CONFORM TO THE SINGATRON HAZARDOUS SUBSTANCE FREE SPEC.
- HALOGEN FREE PRODUCT IDENTIFICATION LABEL ON PACKAGING:
- PACKAGE: SEE "2UB3912-010212F" PACKAGE.
- FOR REFLOW SOLDERING LEAD-FREE PROCESS.
- OTHER GENERAL SPEC. TO REFER "2UB3912-010212F SPEC".

PART NO.
2UB3912-010212F

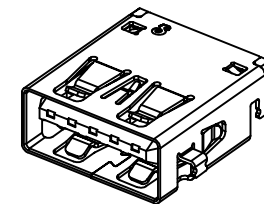
SUFFIX: HALOGEN FREE

PACKAGE
2: TAPE & REEL (Inventec)

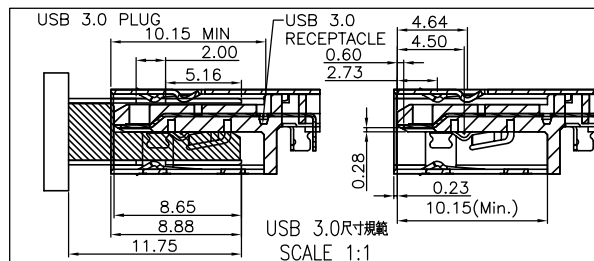
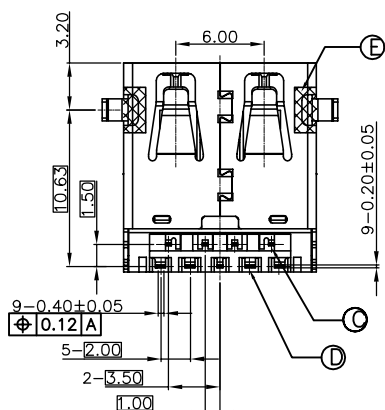
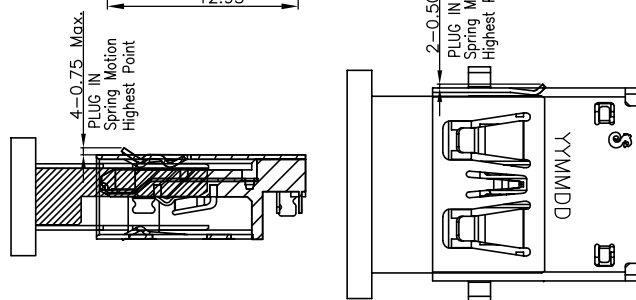
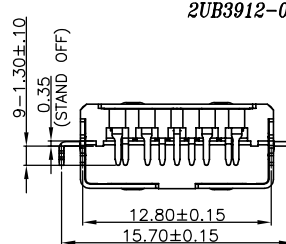
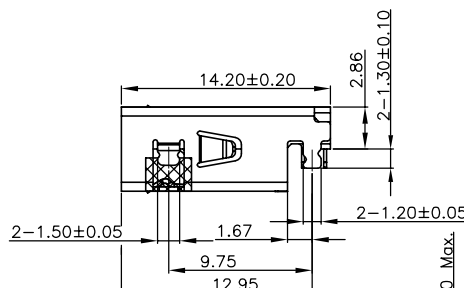
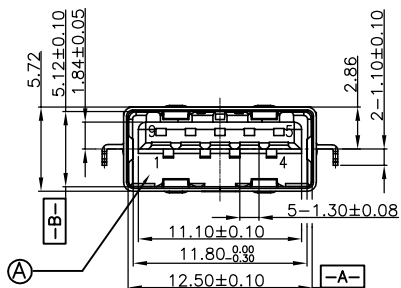
HOUSING & BASE COLOR
1: BLACK

CONTACT PLATING

2: 2u" Au+30u" Pd/Ni PLATING ON CONTACT AREA,
MATTE Sn 120~200u". ON SOLDERING AREA,
80~150u" NICKEL UNDER PLATING OVERALL



P/N	SIGNAL ASSIGNMENT
1#	VBUS
2#	D-
3#	D+
4#	PGND
5#	SSRX-
6#	SSRX+
7#	GND
8#	SSTX-
9#	SSTX+



NO	DESCRIPTION	QTY	MATERIAL	PLATING & COLOR
E	MYLAR	2	KAPTON FILM	
D	5PIN TERMINAL	5	C2680-H, 0.20t	SEE PART NO.
C	4PIN TERMINAL	4	C5210-EH, 0.20t	SEE PART NO.
B	SHELL	1	SUS304-1/2H, 0.30t	50~100u" NICKEL PLATING
A	HOUSING	1	PA9T, UL94-V0	SEE PART NO.

UNLESS OTHERWISE SPECIFIED TOLERANCES

Singatron Enterprise Co., Ltd.
信音企業股份有限公司

DECIMALS: ANGLES:
X :±0.5 X :±2°
X.X :±0.3 X.X :±1°
X.XX :±0.2

TITLE	USB3.0 R/A, DIP TYPE		
DWN	IVY-C 2016.05.02	PART NO. 2UB3912-010212F	
CHKD	ANGELA2016.05.02	SCALE N/A	UNIT: mm
APVD	ANGELA2016.05.02	SIZE: A3	SHEET: 1 OF 1 REV: A

CUSTOMER COPY