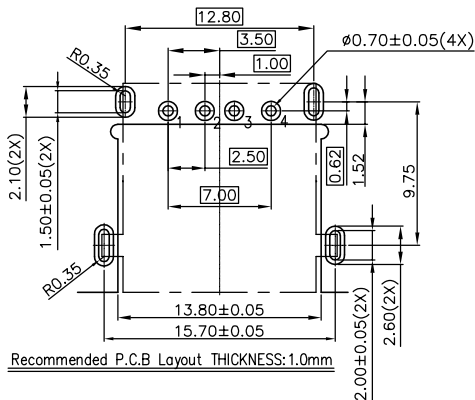
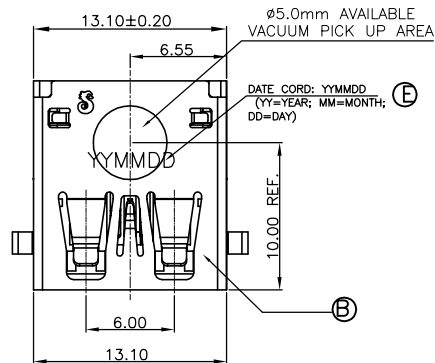


REV.	ECN NO OR DESCRIPTION	REVISED	DATE
A	PDR RELEASE	IVY-C	2017.02.24



**SPECIFICATIONS:**

- ELECTRICAL CHARACTERISTICS:**
  - CURRENT RATING: 2.0A (PIN1,4) ; OTHER CONTACTS 0.25A
  - CONTACT RESISTANCE: 30mΩ MAX.
  - INSULATION RESISTANCE: 100MΩ MIN.
  - DIELECTRIC WITHSTANDING VOLTAGE: 500V AC FOR 1 MINUTE.
- MECHANICAL CHARACTERISTICS:**
  - INSERTION FORCE: 3.5Kg MAX.
  - WITHDRAWAL FORCE: 1.0~2.5Kg FOR INITIAL, AND 0.8~2.5Kg. AFTER TEST.
- LIFE TEST: 1500 CYCLES.**
- TO CONFORM TO THE SINGATRON HAZARDOUS SUBSTANCE FREE SPEC.**
- HALOGEN FREE PRODUCT IDENTIFICATION LABEL ON PACKAGING:**
- PACKAGE: SEE "2UB3912-011211F" PACKAGE.**
- FOR REFLOW SOLDERING LEAD-FREE PROCESS.**
- OTHER GENERAL SPEC. TO REFER "2UB3912-011211F SPEC".**

**PART NO.**

**2UB3912-011211F**

**TERMINAL & SHELL LEG LENGTH**

1:	SHELL	L1=1.10mm L2=1.30mm
	TERMINAL	1.30mm

**USB TYPE**

1: USB 2.0

SUFFIX: HALOGEN FREE

PACKAGE

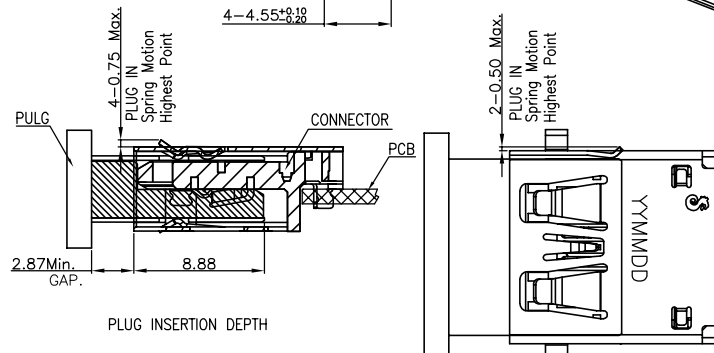
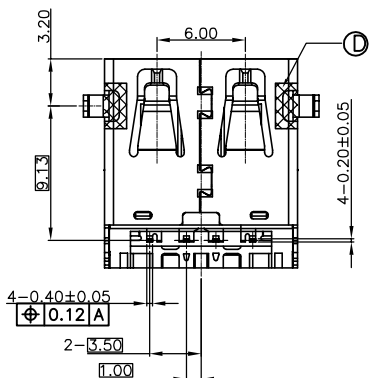
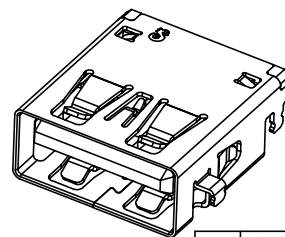
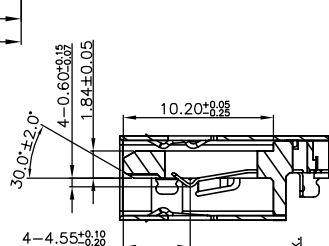
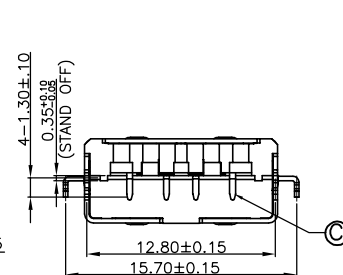
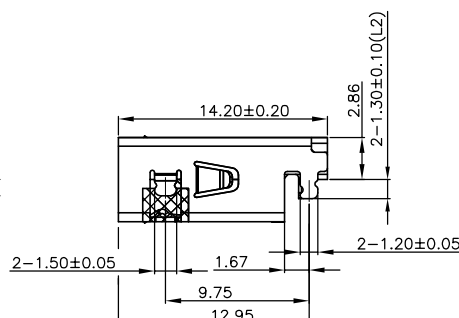
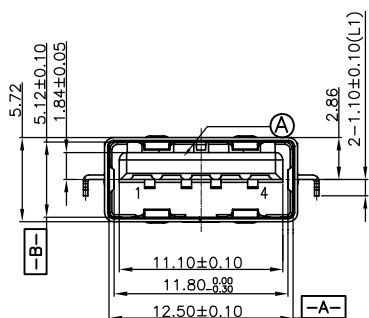
1: TAPE & REEL

HOUSING & BASE COLOR

1: BLACK

CONTACT PLATING

2: 2u" Au+30u" Pd/Ni PLATING ON CONTACT AREA, MATTE Sn 60~150u". ON SOLDERING AREA, 80~150u" NICKEL UNDER PLATING OVERALL



Pin Number	Signal ASSIGNMENT
PIN 1	VBUS
PIN 2	D-
PIN 3	D+
PIN 4	GND

NO	DESCRIPTION	QTY	MATERIAL	PLATING & COLOR
E	INK	-	N/A	BLACK
D	MYLAR	2	KAPTON FILM	
C	4PIN TERMINAL	4	C2680-H, 0.20t	SEE PART NO.
B	SHELL	1	SUS 201 0.3t	NICKEL PLATING
A	HOUSING	1	PA9T, UL94-V0	BLACK

UNLESS OTHERWISE SPECIFIED TOLERANCES

Singatron Enterprise Co., Ltd.  
信音企業股份有限公司

DECIMALS:	ANGLES:	TITLE
X :±0.5	X :±2°	USB2.0 R/A, DIP TYPE
X.X :±0.3	X.X :±1°	DWN <i>IVY-C 2017.02.24</i> <b>PART NO. 2UB3912-011211F</b>
X.XX :±0.2		CHKD <i>ANCELA 2017.02.24</i> SCALE N/A UNIT: mm
		APVD <i>ANCELA 2017.02.24</i> SIZE: A3 SHEET: 1 OF 1 <b>REV: A</b>

**CUSTOMER COPY**