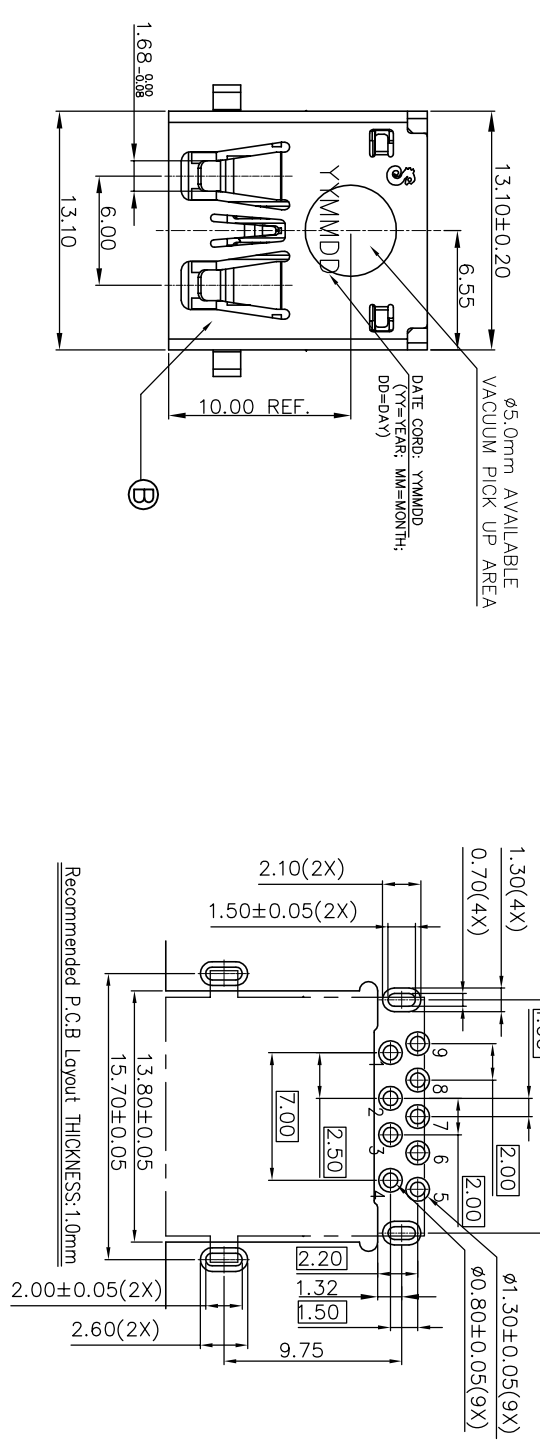
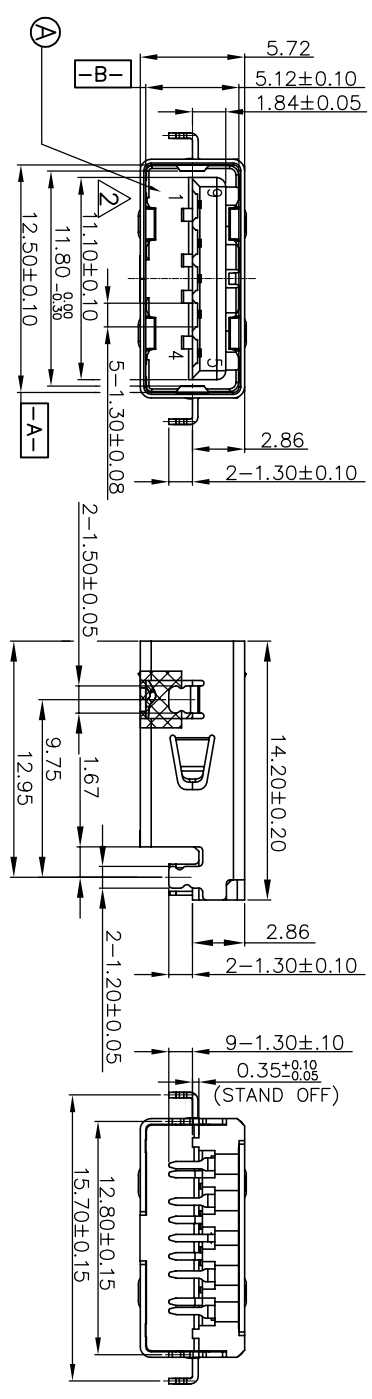


REV. ECN NO OR DESCRIPTION	REVISED	DATE
A PDR RELEASE	EVEN	2016.12.09

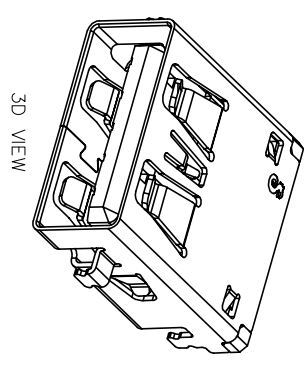


- SPECIFICATIONS:
- ELECTRICAL CHARACTERISTICS:
 - CURRENT RATING: 1.8A (PIN1,4) ; OTHER CONTACTS 0.25A
 - CONTACT RESISTANCE: 30mΩ MAX.
 - INSULATION RESISTANCE: 100MΩ MIN. @100V DC.
 - DIELECTRIC WITHSTANDING VOLTAGE: 300V AC FOR 1 MINUTE.
 - MECHANICAL CHARACTERISTICS:
 - INSERTION FORCE: 3.5kg MAX.
 - WITHDRAWAL FORCE: 1.0~2.5kg FOR INITIAL, AND 0.8~2.5kg AFTER TEST.
 - LIFE TEST: 5,000 CYCLES.
 - TEMPERATURE RANGE: -55°C TO +85°C.
 - TO CONFORM TO THE SINGATRON HAZARDOUS SUBSTANCE FREE SPEC.
 - HALOGEN FREE PRODUCT IDENTIFICATION LABEL ON PACKAGING:
 - PACKAGE: SEE "2UB3912-020111F" PACKAGE.
 - FOR REFLOW SOLDERING LEAD-FREE PROCESS.
 - OTHER GENERAL SPEC. TO REFER "2UB3912-020111F SPEC."



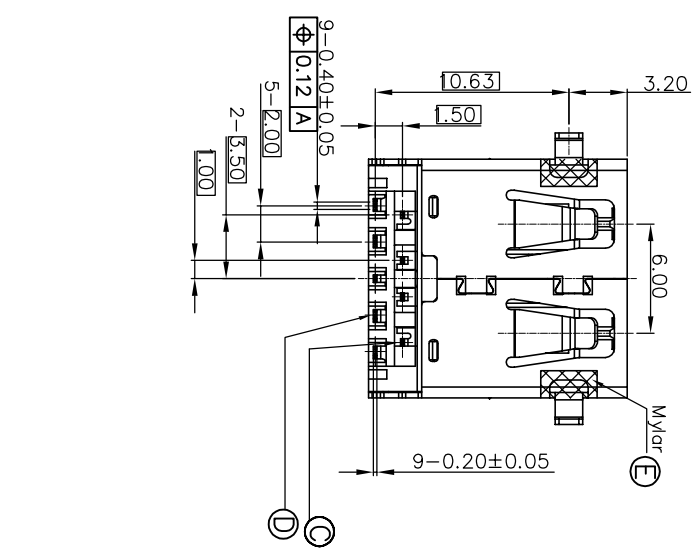
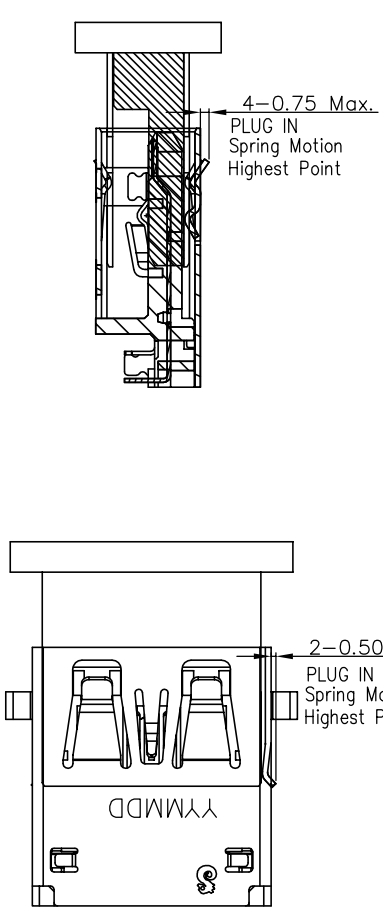
PART NO.
2UB3912-020111F

SUFFIX: HALOGEN FREE
PACKAGE
1: TAPE & REEL
HOUSING & BASE COLOR
1: BLACK



CONTACT PLATING
1: GOLD FLASH PLATING ON CONTACT AREA,
MATTE Sn 120~200u". ON SOLDERING AREA,
80~150u" NICKEL UNDER PLATING OVERALL

P/N	SIGNAL ASSIGNMENT
1#	VBUS
2#	D-
3#	D+
4#	PGND
5#	SSRX-
6#	SSRX+
7#	GND
8#	SSTX-
9#	SSTX+



NO	DESCRIPTION	QTY	MATERIAL	PLATING & COLOR
E	MYLAR	2	KAPTON FILM	YELLOW
D	SPIN TERMINAL	5	C2680-H, 0.20t	SEE PART NO.
C	4PIN TERMINAL	4	C5210-EH, 0.20t	SEE PART NO.
B	SHELL	1	SUS304-1/2H, 0.30t	NICKEL PLATING
A	HOUSING	1	PA9T, UL94-V0	SEE PART NO.
NO	DESCRIPTION		MATERIAL	PLATING & COLOR

UNLESS OTHERWISE SPECIFIED TOLERANCES

DECIMALS: ANGLES:

X : ±0.5 X : ±2°
X.X : ±0.3 X.X : ±1°
X.XX : ±0.2

TITLE: USB3.0 R/A, DIP TYPE

DATE: 2016.12.09

PART NO. 2UB3912-020111F

SCALE: N/A UNIT: mm

SIZE: A3 SHEET: 1 OF 1 REV: A

CUSTOMER COPY

Singtron Enterprise Co., Ltd.
信音企業股份有限公司