
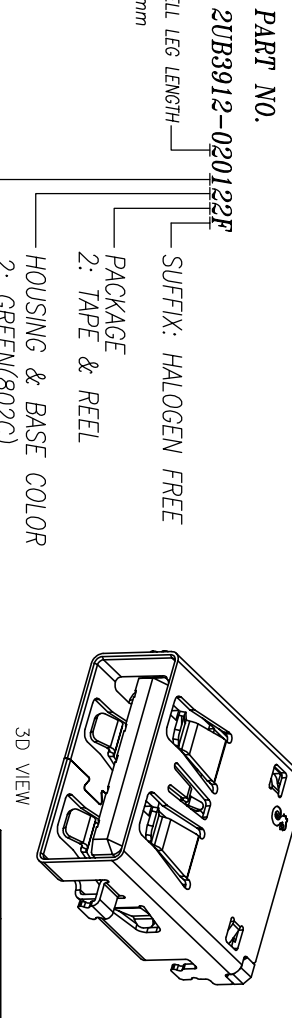
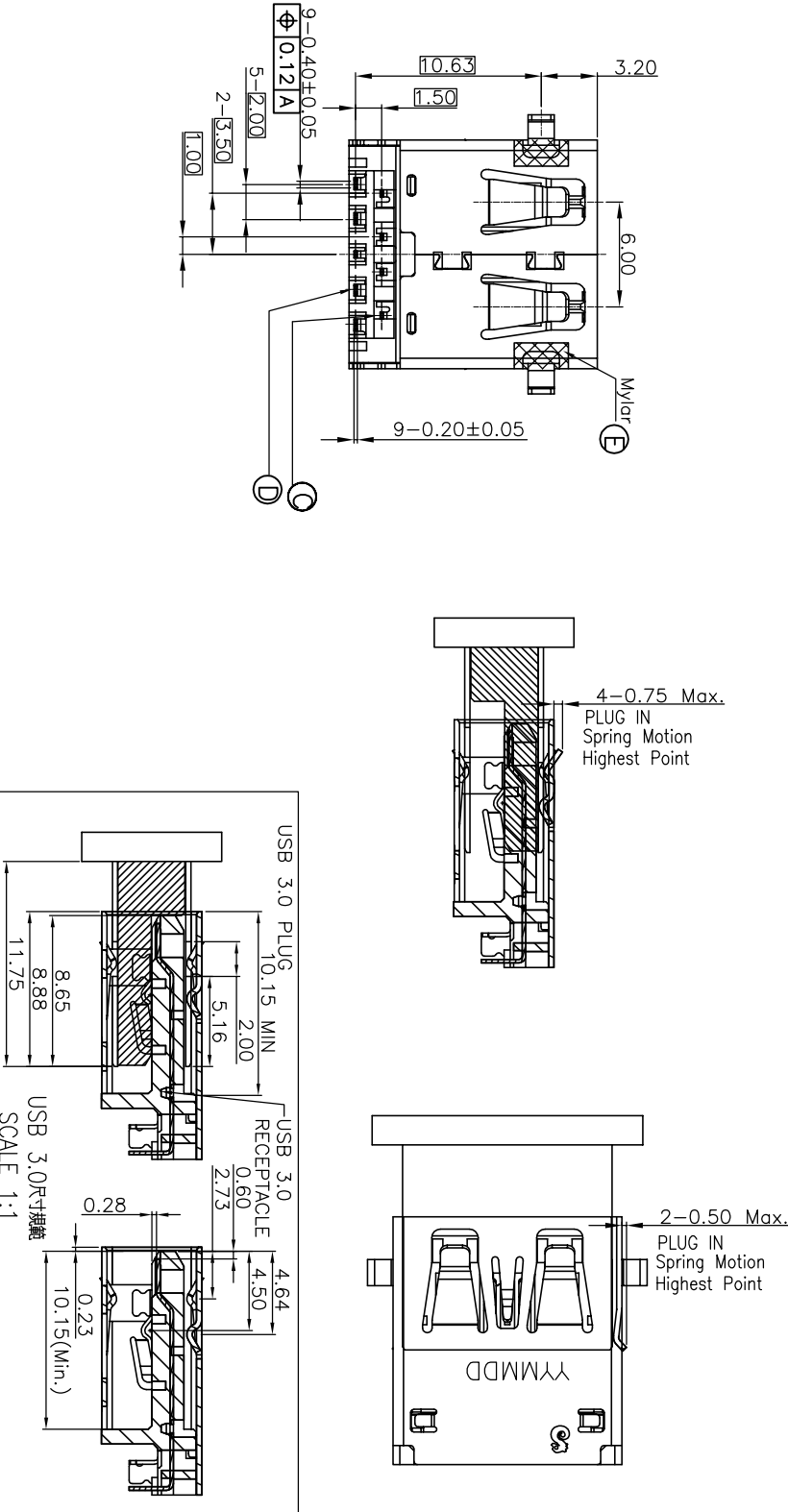
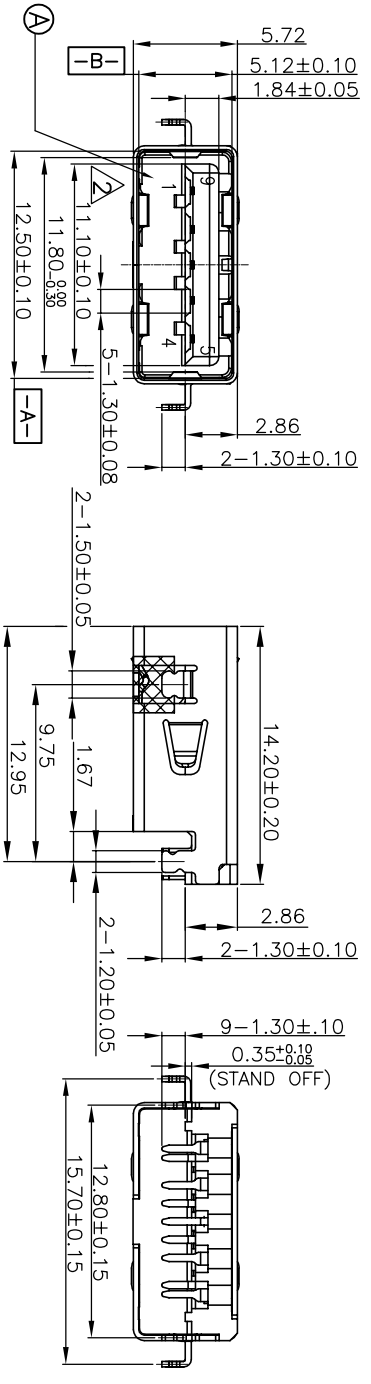
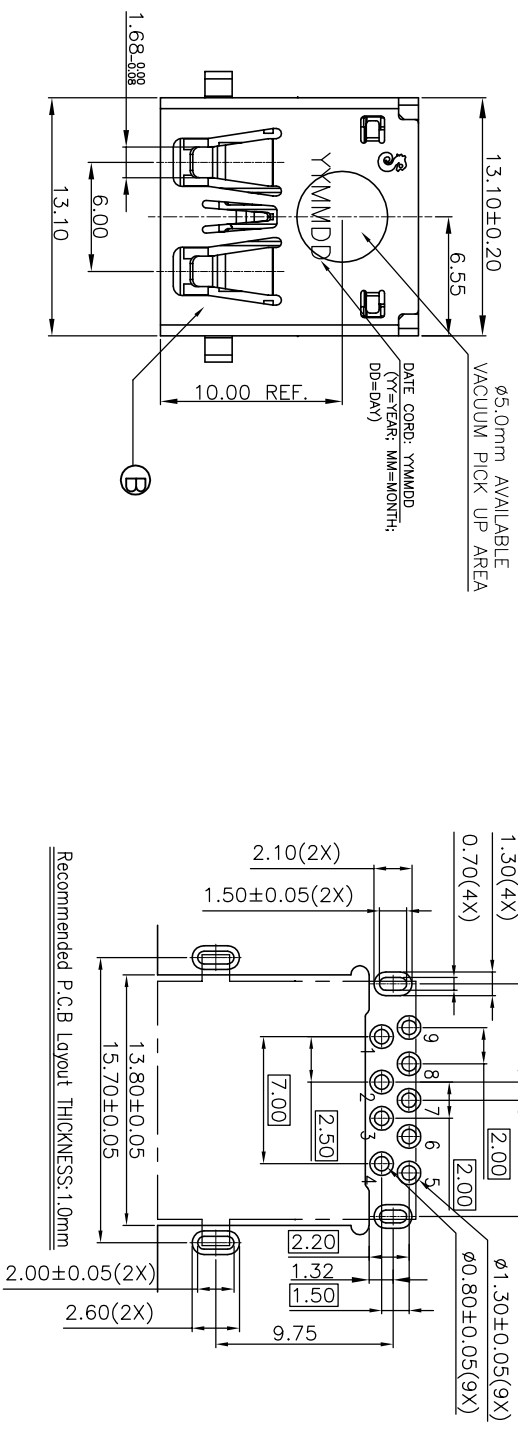


REV.	ECN NO OR DESCRIPTION	REVISED	DATE
A	PDR RELEASE	IVY-C	2016.03.21
B	ECN NO: L170030	EVEN	2017.04.18

- SPECIFICATIONS:
1. ELECTRICAL CHARACTERISTICS:
- 1-1. CURRENT RATING: 1.8A Max. per contact(Signal application only)
  - 1-2. CONTACT RESISTANCE: 30mΩ MAX.
  - 1-3. INSULATION RESISTANCE: 100MΩ MIN. @100V DC.
  - 1-4. DIELECTRIC WITHSTANDING VOLTAGE: 300V AC FOR 1 MINUTE.
2. MECHANICAL CHARACTERISTICS:
- 2-1. INSERTION FORCE: 3.5Kg MAX.
  - 2-2. WITHDRAWAL FORCE: 1.0~2.5kg FOR INITIAL, AND 0.8~2.5kg AFTER TEST.
- 3. LIFE TEST: 5,000 CYCLES.
  - 4. TEMPERATURE RANGE: -55°C TO +85°C.
  - 5. TO CONFORM TO THE SINGATRON HAZARDOUS SUBSTANCE FREE SPEC.
  - 6. HALOGEN FREE PRODUCT IDENTIFICATION LABEL ON PACKAGING: 
  - 7. PACKAGE: SEE "2UB3912-020122F" PACKAGE.
  - 8. FOR REFLOW SOLDERING LEAD-FREE PROCESS.
  - 9. OTHER GENERAL SPEC. TO REFER "2UB3912-020122F SPEC".



P/N	SIGNAL ASSIGNMENT
1#	VBUS
2#	D-
3#	D+
4#	PGND
5#	SSRX-
6#	SSRX+
7#	GND
8#	SSTX-
9#	SSTX+

CONTACT PLATING

1: GOLD FLASH PLATING ON CONTACT AREA, MATTE Sn 60u"Min. ON SOLDERING AREA, 80u"Min. NICKEL UNDER PLATING OVERALL

NO	DESCRIPTION	QTY	MATERIAL	PLATING & COLOR
E	MYLAR	2	KAPTON FILM	YELLOW
D	SPIN TERMINAL	5	C2680-H, 0.20t	SEE PART NO.
C	4PIN TERMINAL	4	C5210-EH, 0.20t	SEE PART NO.
B	SHELL	1	SUS304-1/2H, 0.30t	NICKEL PLATING
A	HOUSING	1	PA9T, UL94-HB	SEE PART NO.
NO	DESCRIPTION		MATERIAL	PLATING & COLOR

UNLESS OTHERWISE SPECIFIED TOLERANCES

DECIMALS: ANGLES:

X : ±0.5 X : ±2°

X.X : ±0.3 X.X : ±1°

X.XX : ±0.2

TITLE: USB3.0 R/A, DIP TYPE

PART NO. 2UB3912-020122F

SCALE N/A UNIT: mm

SIZE: A3 SHEET: 1 OF 1 REV: B

Singatron Enterprise Co., Ltd.  
信音企業股份有限公司

CUSTOMER COPY

