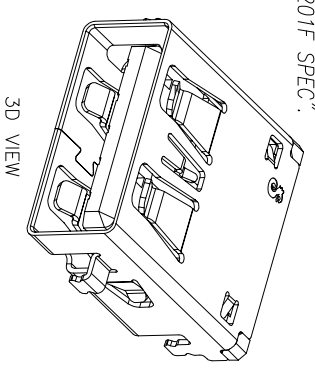
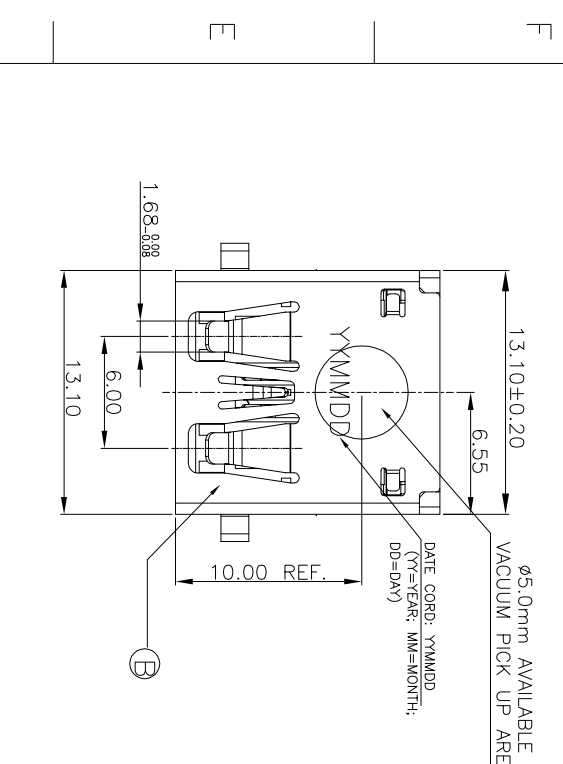
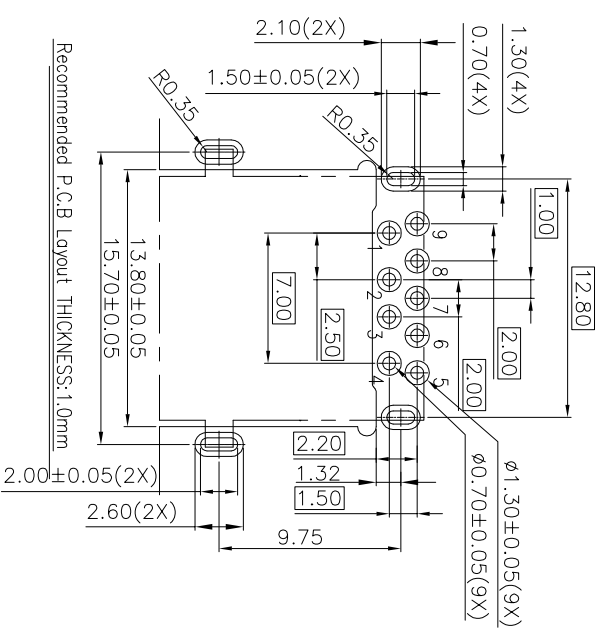


REV.	ECN NO OR DESCRIPTION	REVISED	DATE
A	PDR RELEASE	Even	2017.05.04

- SPECIFICATIONS:
- ELECTRICAL CHARACTERISTICS:
 - 1-1. CURRENT RATING: 1.8A (PIN1,4) ; OTHER CONTACTS 0.25A
 - 1-2. CONTACT RESISTANCE: 30mΩ MAX.
 - 1-3. INSULATION RESISTANCE: 100MΩ MIN. @100V DC.
 - 1-4. DIELECTRIC WITHSTANDING VOLTAGE: 300V AC FOR 1 MINUTE.
 - MECHANICAL CHARACTERISTICS:
 - 2-1. INSERTION FORCE: 3.5kg MAX.
 - 2-2. WITHDRAWAL FORCE: 1.0~2.5kg FOR INITIAL, AND 0.8~2.5kg AFTER TEST.
 - LIFE TEST: 5,000 CYCLES.
 - TEMPERATURE RANGE: -55°C TO +85°C.
 - TO CONFORM TO THE SINGATRON HAZARDOUS SUBSTANCE FREE SPEC.
 - HALOGEN FREE PRODUCT IDENTIFICATION LABEL ON PACKAGING:
 - PACKAGE: SEE "2UB3912-020201F" PACKAGE.
 - FOR REFLOW SOLDERING LEAD-FREE PROCESS.
 - OTHER GENERAL SPEC. TO REFER "2UB3912-020201F SPEC".



3D VIEW

PART NO. **2UB3912-020201F**

TERMINAL & SHELL LEG LENGTH: 2: 1.30mm

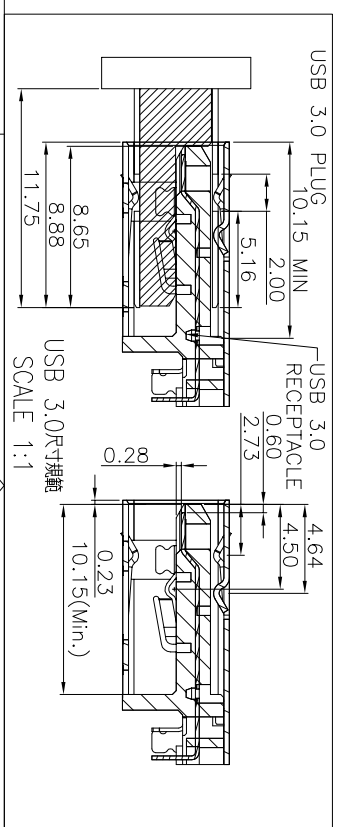
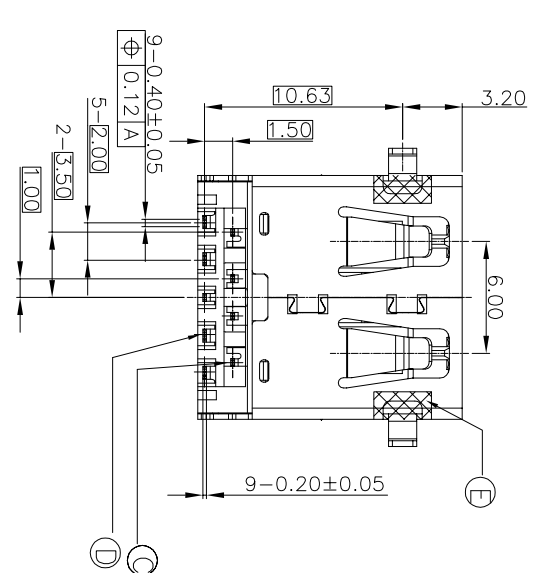
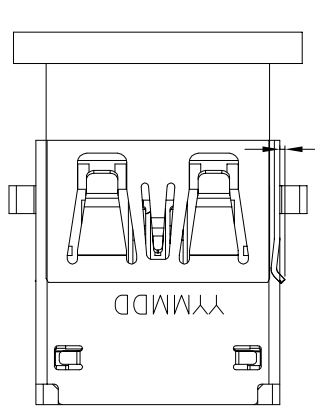
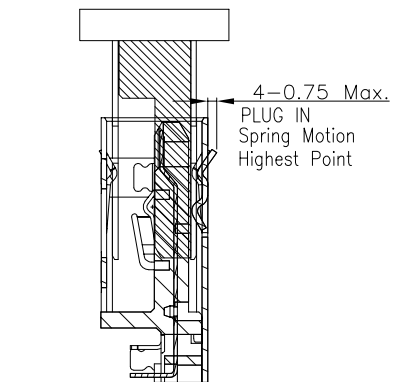
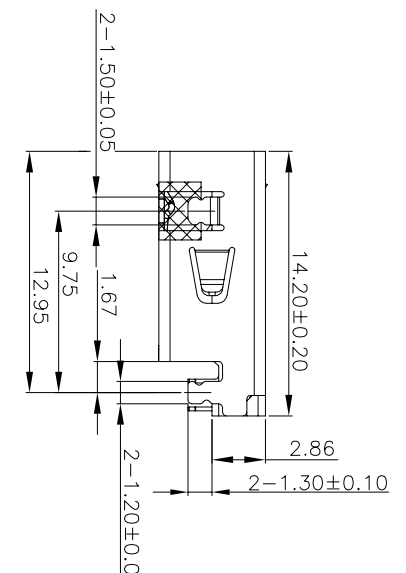
SUFFIX: HALOGEN FREE

PACKAGE: 1: TAPE & REEL

HOUSING & BASE COLOR: 0: BLUE(300C)

CONTACT PLATING: 2: 2u" Au+30u" Pd/Ni PLATING ON CONTACT AREA, MATTE Sn 60u" Min. ON SOLDERING AREA, 80u" Min. NICKEL UNDER PLATING OVERALL

P/N	SIGNAL ASSIGNMENT
1#	VBUS
2#	D-
3#	D+
4#	PGND
5#	SSRX-
6#	SSRX+
7#	GND
8#	SSTX-
9#	SSTX+



NO	DESCRIPTION	QTY	MATERIAL	PLATING & COLOR
E	MYLAR	2	KAPTON FILM	
D	SPIN TERMINAL	5	C2680-H, 0.20t	SEE PART NO.
C	4PIN TERMINAL	4	C5210-EH, 0.20t	SEE PART NO.
B	SHELL	1	SUS304-1/2H, 0.30t	NICKEL PLATING
A	HOUSING	1	PA9T, UL94-V0	SEE PART NO.
NO	DESCRIPTION	QTY	MATERIAL	PLATING & COLOR

UNLESS OTHERWISE SPECIFIED TOLERANCES

DECIMALS: ANGLES:

X : ±0.5 X : ±2°

X.X : ±0.3 X.X : ±1°

X.XX : ±0.2

Singatron Enterprise Co., Ltd.
信音企業股份有限公司

TITLE	USB3.0 R/A, DIP TYPE
DWN	REV: 2017.05.04 PART NO. 2UB3912-020201F
CHKD	ANGEL: 2017.05.04 SCALE: N/A UNIT: mm
APVD	ANGEL: 2017.05.04 SIZE: A3 SHEET: 1 OF 1 REV: A

CUSTOMER COPY