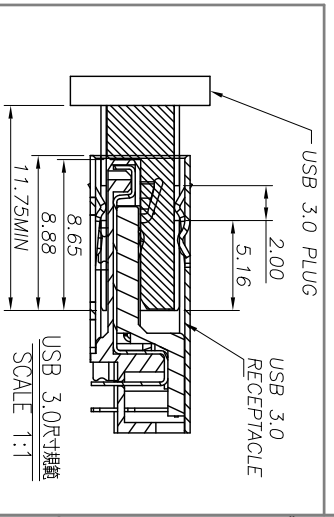
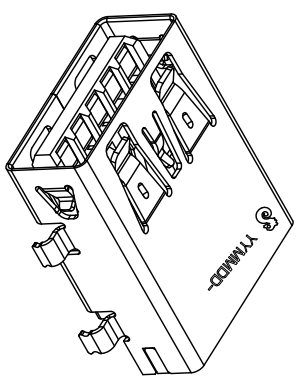
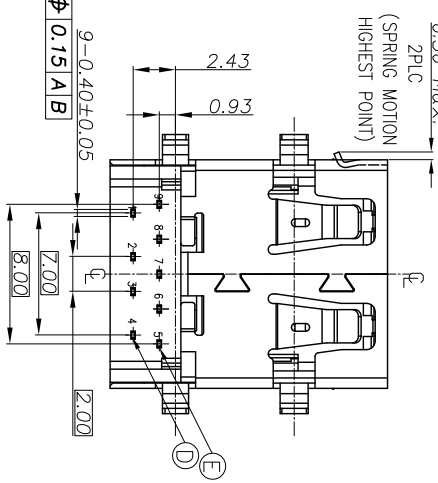
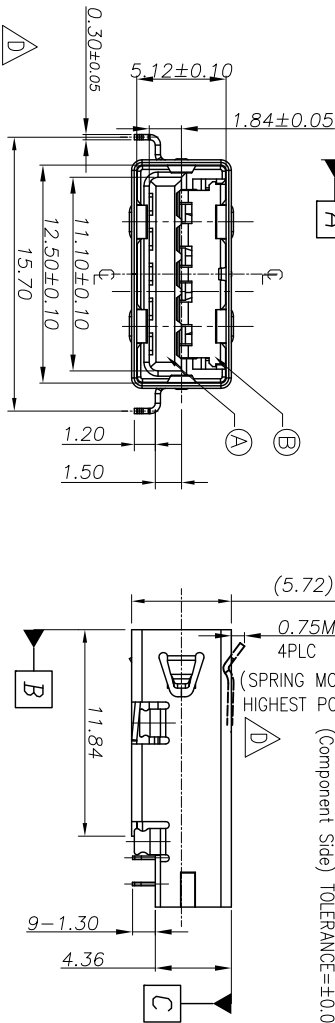
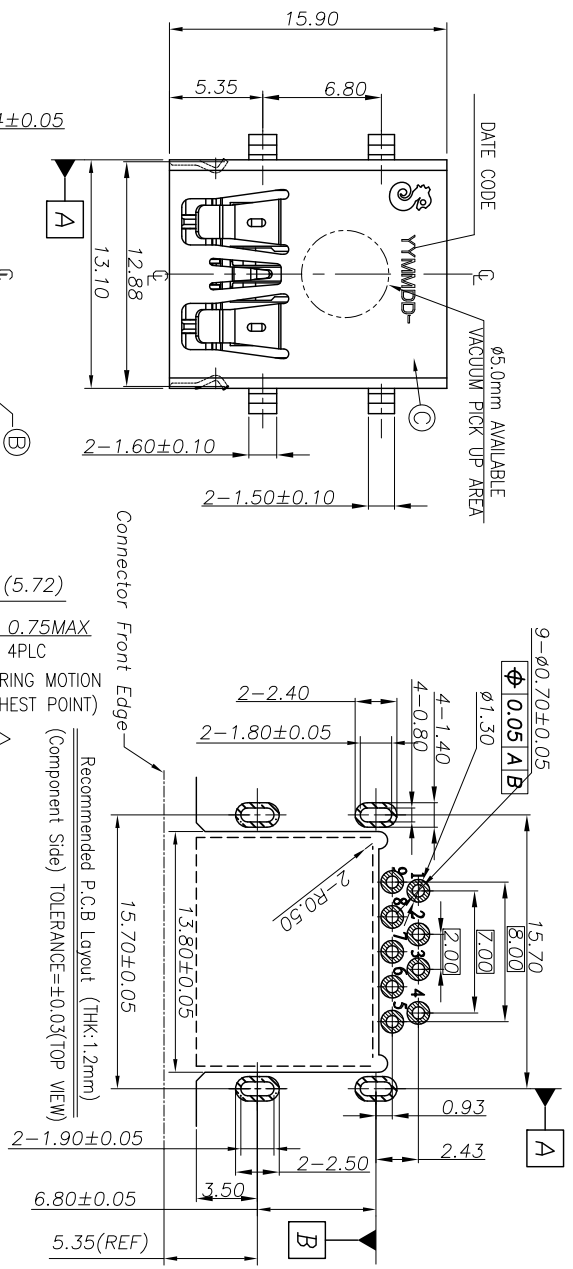


REV.	ECN NO.	OR DESCRIPTION	REVISED	DATE
A.	PDR NO:1120828-7A		fly	2013.03.19
B	ECN NO:S150419		JIANG	2015.05.08
C	ECN NO:S160116-C		peng	2016.02.04
D	ECN NO:S170954-R		Song	2017.11.09

- SPECIFICATIONS:**
- ELECTRICAL CHARACTERISTICS:
 - 1-1. ELECTRICAL RATING: 1.8A (PIN1,4) ; OTHER CONTACTS 0.25A
 - 1-2. CONTACT RESISTANCE: 30mΩ MAX.
 - 1-3. DIELECTRIC WITHSTANDING VOLTAGE: 100V AC FOR 1 MINUTE
 - 1-4. INSULATION RESISTANCE: 100MΩ MIN
 - MECHANICAL CHARACTERISTICS:
 - 2-1. INSERTION FORCE : 35N MAX
 - 2-2. WITHDRAWAL FORCE : 10N MIN(INITIAL),8N(AFTER TEST)
 3. DURABILITY: 5,000 CYCLES.
 4. TO CONFORM TO SINGATRON HAZARDOUS SUBSTANCE FREE SPEC.
 5. HALOGEN FREE PRODUCT IDENTIFICATION MARK ON JACK:
 6. HALOGEN FREE PRODUCT IDENTIFICATION LABEL ON PACKAGING:
 7. FOR IR REFLOW PROCESS.
 8. DATE : YMMDD-
 9. PACKAGING : TAPE & REEL.
 10. LEVEL 1 ENVIRONMENT-RELATED SUBSTANCES SHOULD NEVER BE USED.
 11. RECYCLED RESIN AND COATED WIRE SHOULD BE PROCURED FROM GREEN PARTNERS.



Pin	Signal NAME	1	2	3	4	5	6	7	8	9
1	VBUS	D	C	B	A	NO	UNLESS OTHERWISE SPECIFIED TOLERANCES	DECIMALS:	ANGLES:	
2	D-	D	C	B	A	NO	UNLESS OTHERWISE SPECIFIED TOLERANCES	DECIMALS:	ANGLES:	
3	D+	D	C	B	A	NO	UNLESS OTHERWISE SPECIFIED TOLERANCES	DECIMALS:	ANGLES:	
4	GND	D	C	B	A	NO	UNLESS OTHERWISE SPECIFIED TOLERANCES	DECIMALS:	ANGLES:	
5	SIDAL_SSRX-	D	C	B	A	NO	UNLESS OTHERWISE SPECIFIED TOLERANCES	DECIMALS:	ANGLES:	
6	SIDAL_SSRX+	D	C	B	A	NO	UNLESS OTHERWISE SPECIFIED TOLERANCES	DECIMALS:	ANGLES:	
7	GND_DRAIN	D	C	B	A	NO	UNLESS OTHERWISE SPECIFIED TOLERANCES	DECIMALS:	ANGLES:	
8	SIDAL_SSTX-	D	C	B	A	NO	UNLESS OTHERWISE SPECIFIED TOLERANCES	DECIMALS:	ANGLES:	
9	SIDAL_SSTX+	D	C	B	A	NO	UNLESS OTHERWISE SPECIFIED TOLERANCES	DECIMALS:	ANGLES:	

TITLE	REV.	DATE
USB 3.0 REVERSE CONNECTOR	1	2017.11.09

SINGATRON ENTERPRISE CO., LTD.
 信音企業股份有限公司
 150µm Au OVER PLATED ON MATING AREA,
 120µm Sn PLATED ON SOLDERING
 180µm NICKEL UNDER PLATING OVERALL

USB 3.0 母座
 SCALE 1:1

DWN Song PART NO.2UB3914-000101F
 CHKD James SCALE 1:1 UNIT: mm
 APVD Boye SIZE: A3 SHEET:1 OF 1 REV: D

CUSTOMER COPY