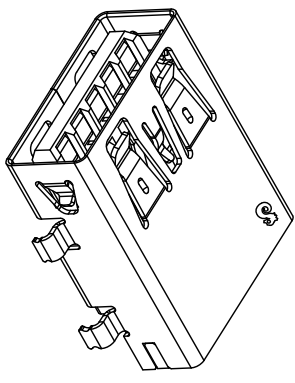
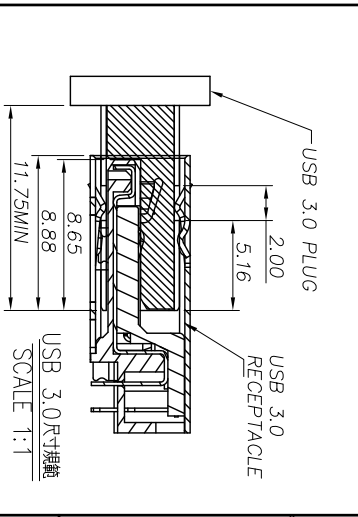
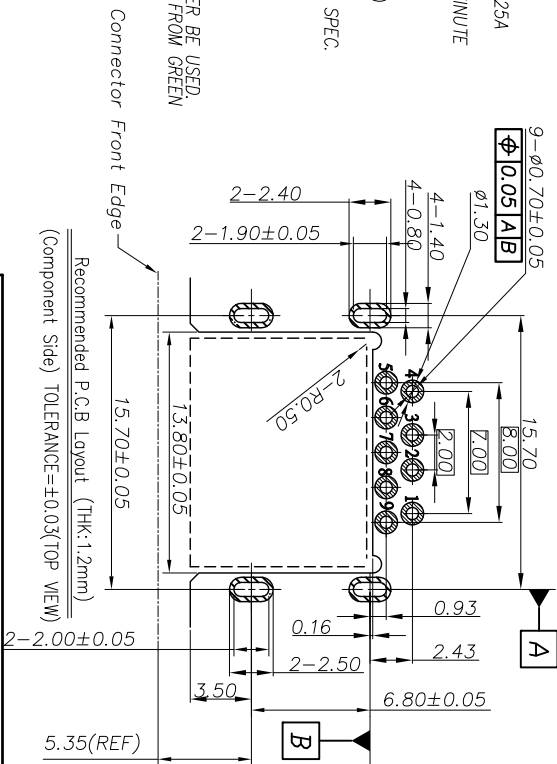
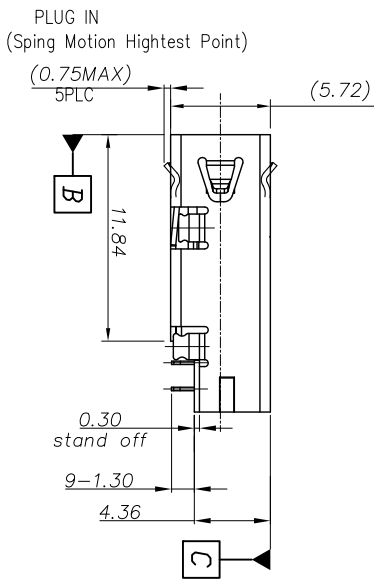


- SPECIFICATIONS:**
- ELECTRICAL CHARACTERISTICS:**
    - CURRENT RATING: 1.8A (PIN1, 4) ; OTHER CONTACTS 0.25A
    - CONTACT RESISTANCE: 30mΩ MAX.
    - DIELECTRIC WITHSTANDING VOLTAGE: 100V AC FOR 1 MINUTE
    - INSULATION RESISTANCE: 100MΩ MIN
  - MECHANICAL CHARACTERISTICS:**
    - INSERTION FORCE : 35N MAX
    - WITHDRAWAL FORCE : 10N MIN(INITIAL),9N(AFTER TEST)
    - DURABILITY: 5,000 CYCLES
    - CONFORM TO SINGATRON HAZARDOUS SUBSTANCE FREE SPEC.
    - HALOGEN FREE IDENTIFICATION MARK ON JACK
    - HALOGEN FREE IDENTIFICATION LABEL ON PACKAGING
    - FOR IR REFLOW PROCESS.
    - DATE : YMMDD-
    - PACKAGING : TAPE & REEL
    - LEVEL 1 ENVIRONMENT-RELATED SUBSTANCES SHOULD NEVER BE USED. RECYCLED RESIN AND COATED WIRE SHOULD BE PROCURED FROM GREEN PARTNERS.



Pin	Signal NAME
1	VBUS
2	D-
3	D+
4	GND
5	SIDA_SSPX-
6	SIDA_SSPX+
7	GND_DRAIN
8	SIDA_SSTX-
9	SIDA_SSTX+

Pin	Signal NAME	5-TERMINAL	4-TERMINAL	SHELL	BASE	HOUSING	DESCRIPTION
E							UNLESS OTHERWISE SPECIFIED TOLERANCES
D							
C							
B							
A							

Pin	Signal NAME	5-TERMINAL	4-TERMINAL	SHELL	BASE	HOUSING	DESCRIPTION
E							UNLESS OTHERWISE SPECIFIED TOLERANCES
D							
C							
B							
A							

Singatron Enterprise Co., Ltd.  
信晉企業股份有限公司

USB 3.0 REVERSE CONNECTOR  
PART NO. 2UB3914-002101F

SCALE 1:1  
UNIT: mm  
SHEET: 1 OF 1  
REV: A

REV.	ECN NO.	OR DESCRIPTION	REVISED	DATE
A.		PDR NO. T130419-4A	fy	2013.07.10