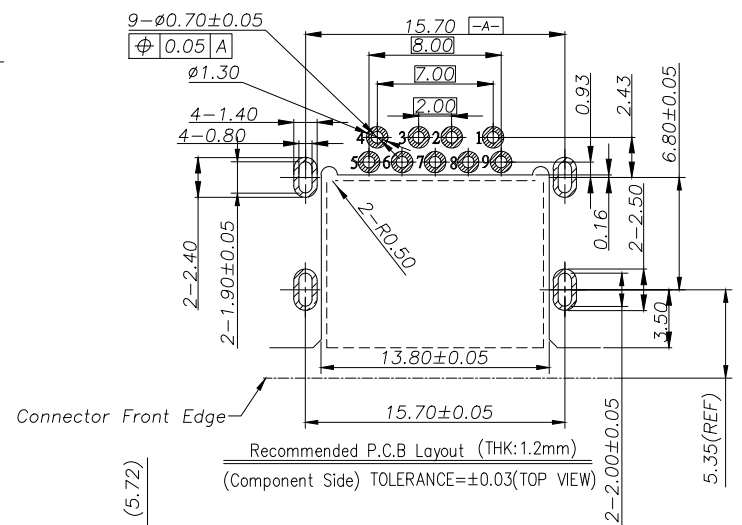
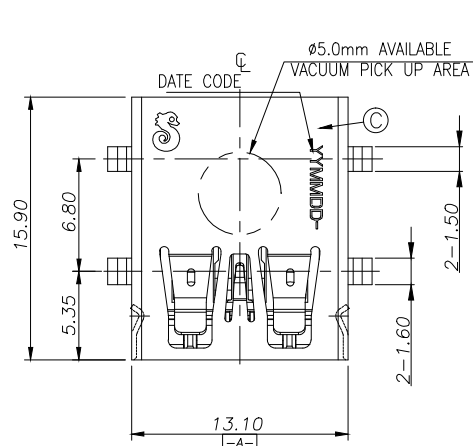
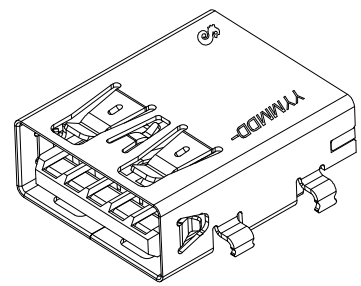
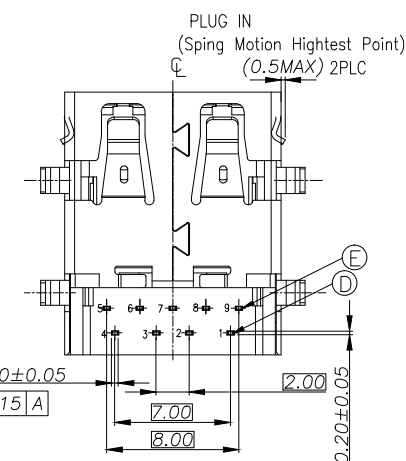
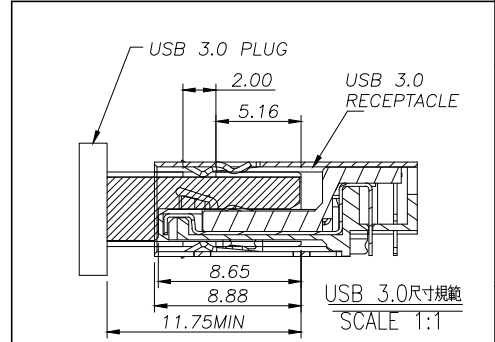
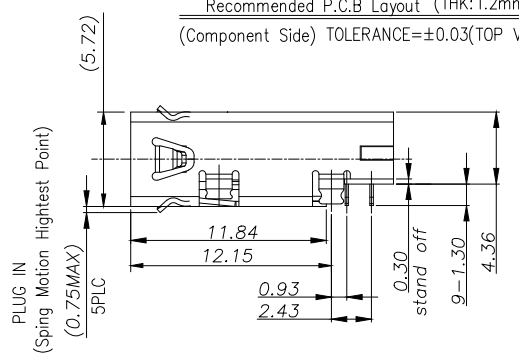
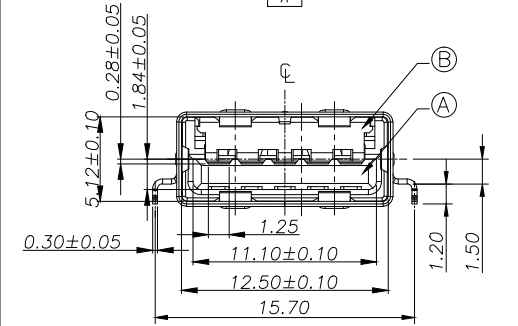


REV.	ECN NO OR DESCRIPTION	REVISED	DATE
A	PDR NO.: T160420-6A	TOMMY	2016.07.27



- SPECIFICATIONS:**
- ELECTRICAL CHARACTERISTICS:**
 - CURRENT RATING: 1.8A (PIN1,4) ; OTHER CONTACTS 0.25A
 - CONTACT RESISTANCE: 30mΩ MAX.
 - DIELECTRIC WITHSTANDING VOLTAGE: 100V AC FOR 1 MINUTE
 - INSULATION RESISTANCE: 100M Ω
 - MECHANICAL CHARACTERISTICS:**
 - INSERTION FORCE : 22N MAX
 - WITHDRAWAL FORCE : 10N~27N(INITIAL),8N~27N(AFTER TEST)
 - DURABILITY: 5,000 CYCLES.
 - TO CONFORM TO SINGATRON HAZARDOUS SUBSTANCE FREE SPEC.
 - HALOGEN FREE IDENTIFICATION MARK ON JACK: Ⓢ
 - HALOGEN FREE IDENTIFICATION LABEL ON PACKAGING: Ⓢ
 - FOR IR REFLOW PROCESS.
 - DATE : YYMMDD-
 - PACKAGING : TAPE & REEL.
 - LEVEL 1 ENVIRONMENT-RELATED SUBSTANCES SHOULD NEVER BE USED.
 - RECYCLED RESIN AND COATED WIRE SHOULD BE PROCURED FROM GREEN PARTNERS.



Pin	Signal NAME	E	5-TERMINAL	5	C2680-H ,T=0.20	GOLD FLASH OVER PLATED ON MATING AREA 120u" Matte Sn PLATED ON SOLDERING, 80u" NICKEL UNDER PLATING OVERALL.
1	VBUS	D	4-TERMINAL	4	C5210-EH ,T=0.20	
		C	SHELL	1	SUS304 1/2H, T=0.30	Ni 60u" Min
2	D-	B	BASE	1	PA9T+45%GF,UL94-V0	BLACK
3	D+	A	HOUSING	1	PA9T+45%GF,UL94-V0	BLACK
4	GND	NO	DESCRIPTION	QTY	MATERIAL	PLATING & COLOR
5	StdA_SSRX-	UNLESS OTHERWISE SPECIFIED TOLERANCES		Singatron Enterprise Co., Ltd. 信音企業股份有限公司		
6	StdA_SSRX+	DECIMALS: ANGLES:				
7	GND_DRAIN	X	:±0.5	X	:±2°	
8	StdA_SSTX-	X.X	:±0.3	X.X	:±1°	
9	StdA_SSTX+	X.XX	:±0.2			
		TITLE		USB 3.0 REVERSE CONNECTOR		
		DWN	TOMMY	PART NO.2UB3914-009101F		
		CHKD		SCALE 1:1	UNIT: mm	Ⓢ
		APVD		SIZE: A3	SHEET:1 OF 1	REV:A
CUSTOMER COPY						