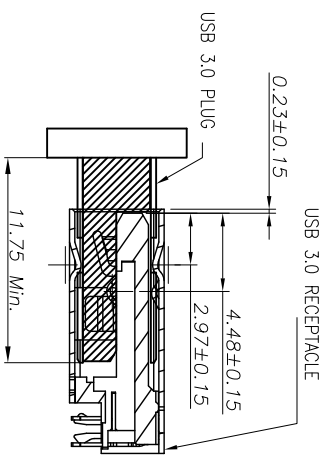
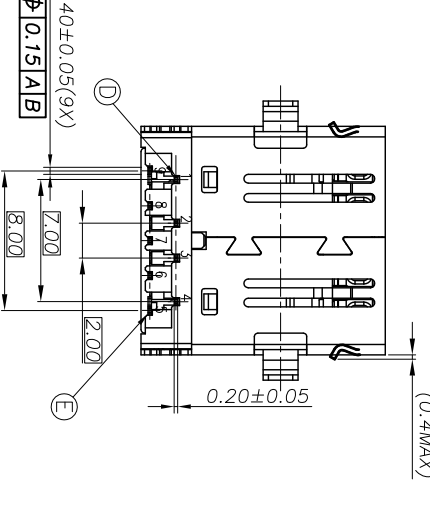
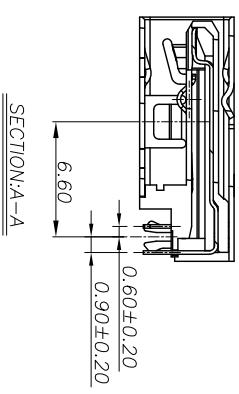
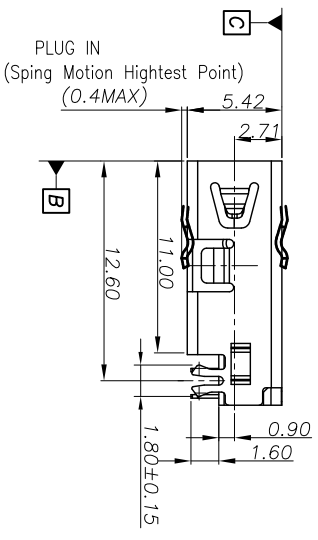
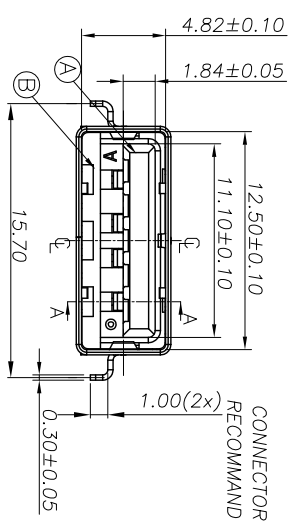
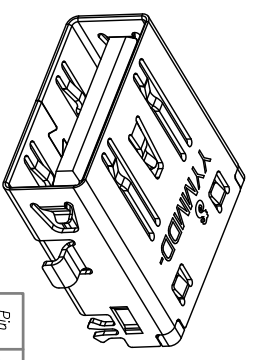


- SPECIFICATIONS:
- ELECTRICAL CHARACTERISTICS:
 - CURRENT RATING: 1.8A (PIN1,4) ; OTHER CONTACTS 0.25A
 - CONTACT RESISTANCE: 30mΩ MAX.
 - DIELECTRIC WITHSTANDING VOLTAGE: 100V AC FOR 1 MINUTE
 - INSULATION RESISTANCE: 100MΩ MIN.
 - MECHANICAL CHARACTERISTICS:
 - INSERTION FORCE : 3.5 Kgf MAX.
 - WITHDRAWAL FORCE : 1.0 Kgf MIN.(INITIAL),0.8 Kgf(AFTER TEST)
 - DURABILITY: 5,000 CYCLES.
 - TO CONFORM TO SINGATRON HAZARDOUS SUBSTANCE FREE SPEC.
 - HALOGEN FREE IDENTIFICATION MARK ON JACK: ©
 - HALOGEN FREE IDENTIFICATION LABEL ON PACKAGING:
 - FOR IR REFLOW PROCESS.
 - DATE : YMMDD-
 - PACKAGING : TAPE & REEL.



REV.	ECN NO OR DESCRIPTION	REVISED	DATE
A.	PDR NO.:T121203-12A	fly	2013.06.20
B	ECN NO.:S131269	Danfeng	2014.05.05
C	ECN NO.:S170551-R	peng	2017.07.13

Pin	Signal NAME
1	VBUS
2	D-
3	D+
4	GND
5	SDA_SSRX-
6	SDA_SSRX+
7	GND_DRAIN
8	SDA_SSTX-
9	SDA_SSTX+

NO	DESCRIPTION	MATERIAL	PLATING & COLOR
A	BODY	PA-9T UL94V-0	BLACK
B	SHELL	STAINLESS STEEL	NICKEL 60μin MIN
C	TERMINAL	COPPER ALLOY	ALL OVER 80μin NICKEL PLATING
D	TERMINAL	COPPER ALLOY	ALL OVER 30μin PA/IN PLATED ON CONTACT AREA Sn 120μin PLATED ON SOLDERING ALL OVER 80μin NICKEL PLATING

UNLESS OTHERWISE SPECIFIED TOLERANCES

DECIMALS: ANGLES:

X : ±0.5 X : ±1.2°
 X.X : ±0.3 X.X : ±1°
 X.XX : ±0.2

TITLE	USB 3.0 REVERSE CONNECTOR
DWN	peng
CHKD	james
APVD	boye
PART NO.	2UB39922-000101F
SCALE	1:1
UNIT	mm
SIZE	A3
SHEET	1 OF 1
REV.	C

CUSTOMER COPY