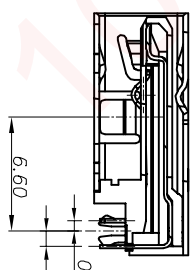
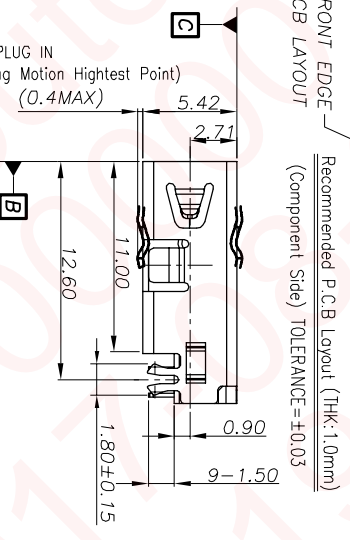
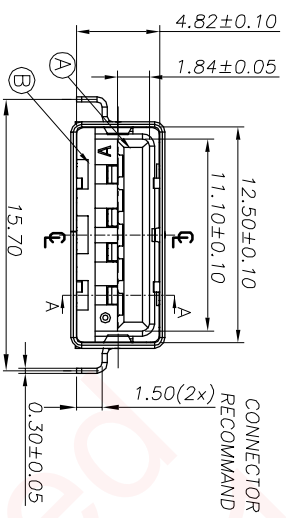
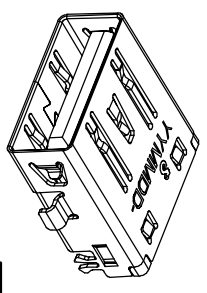
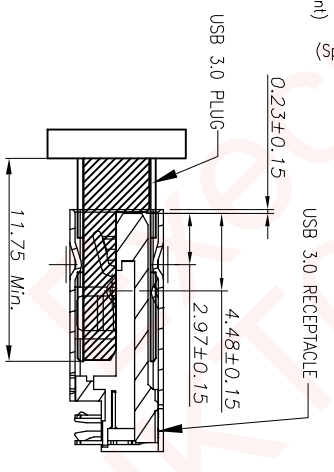
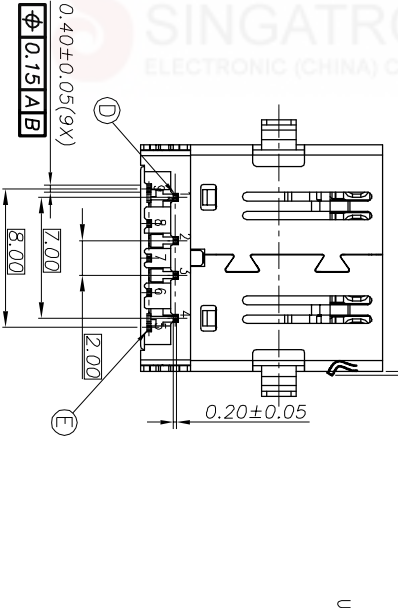


- SPECIFICATIONS:
- ELECTRICAL CHARACTERISTICS:
    - CURRENT RATING: 1.8A (PIN1,4) ; OTHER CONTACTS 0.25A
    - CURRENT RESISTANCE: 30m $\Omega$  MAX INITIAL FOR PIN 1-4.
    - CONTACT RESISTANCE: 50m $\Omega$  MAX INITIAL FOR OTHER PIN.
  - DIELECTRIC WITHSTANDING VOLTAGE: 100V AC FOR 1 MINUTE
  - INSULATION RESISTANCE: 100M $\Omega$  MIN
  - MECHANICAL CHARACTERISTICS:
    - INSERTION FORCE : 3.5 kgf MAX
    - WITHDRAWAL FORCE : 1.0 kgf MIN(INITIAL),0.8 kgf(AFTER TEST)
  - DURABILITY: 5,000 CYCLES.
  - TO CONFORM TO SINGATRON HAZARDOUS SUBSTANCE FREE SPEC.
  - HALOGEN FREE IDENTIFICATION MARK ON JACK:
  - HALOGEN FREE IDENTIFICATION LABEL ON PACKAGING:
  - FOR IR REFLOW PROCESS.
  - DATE : YMMDD-
  - PACKAGING : TAPE & REEL.



Pin	Signal NAME
1	VBUS
2	D-
3	D+
4	GND
5	SIDA_S5RX-
6	SIDA_S5RX+
7	GND_DRAIN
8	SIDA_S5TX-
9	SIDA_S5TX+



NO	DESCRIPTION	QTY	MATERIAL	PLATING & COLOR
D	TERMINAL	5	COPPER ALLOY	ALL OVER 20um Au/PAL PLATED ON CONTACT PARTS ON SOLDERING ALL OVER 8umu NICKEL PLATING.
C	TERMINAL	4	COPPER ALLOY	
B	SHELL	1	STAINLESS STEEL	NICKEL 60um MIN
A	BODY	1	HIGH THERMOPLASTIC	BLACK

UNLESS OTHERWISE SPECIFIED TOLERANCES

TITLE	USB 3.0 REVERSE CONNECTOR
DWG	peng
CHKD	imes
APVD	boye
PART NO.	2UB3922-002101F
SCALE	1:1
UNIT	mm
SHEET	1 OF 1
REV.	B

Singatron Enterprise Co., Ltd.  
信晉企業股份有限公司

CUSTOMER COPY

REV.	ECN NO.	OR DESCRIPTION	REVISED	DATE
A	PDR NO:	T130304-2A	fly	2013.06.26
B	ECN NO:	S170551-R	peng	2017.07.13