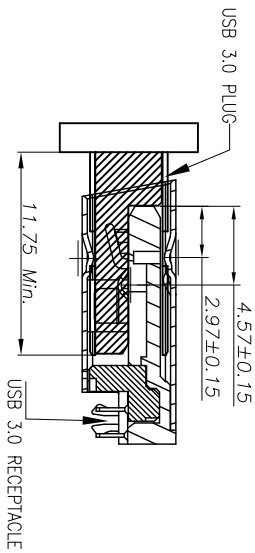
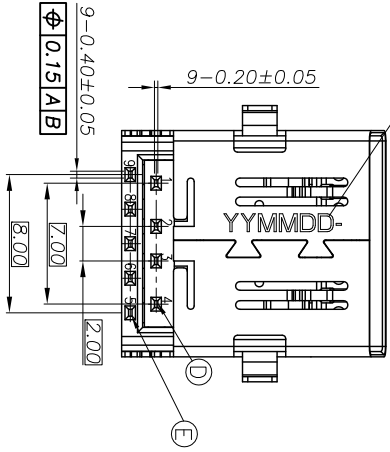
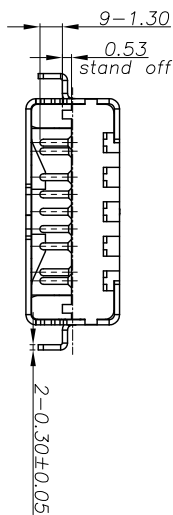
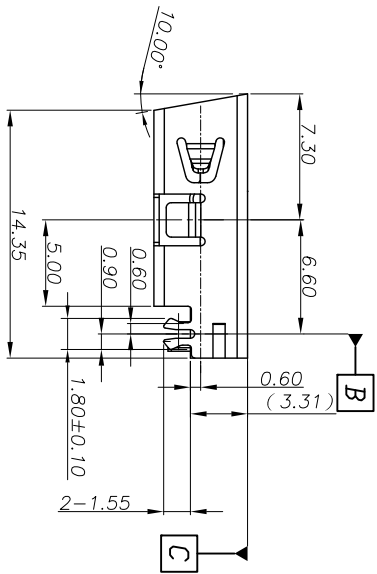
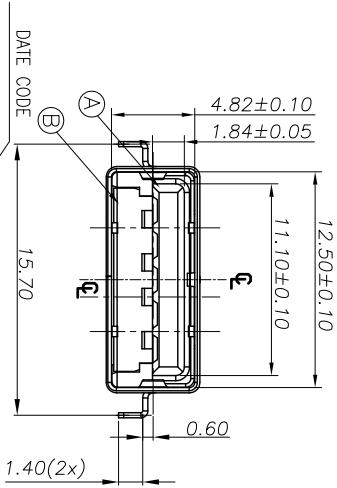


- SPECIFICATIONS:
- ELECTRICAL CHARACTERISTICS:
 - CURRENT RATING: 1.8A (PIN1,4) ; OTHER CONTACTS 0.25A
 - CONTACT RESISTANCE: 30mΩ MAX.
 - DIELECTRIC WITHSTANDING VOLTAGE: 100V AC FOR 1 MINUTE
 - INSULATION RESISTANCE: 100MΩ MIN
 - MECHANICAL CHARACTERISTICS:
 - INSERTION FORCE : 0.8~2.5 Kgf
 - WITHDRAWAL FORCE : 0.8~2.5 Kgf
 - DURABILITY: 5,000 CYCLES.
 - TO CONFORM TO SINGATRON HAZARDOUS SUBSTANCE FREE SPEC.
 - HALOGEN FREE IDENTIFICATION MARK ON JACK: ©
 - HALOGEN FREE IDENTIFICATION LABEL ON PACKAGING:
 - FOR IR REFLOW PROCESS.
 - DATE : YMMDD-
 - PACKAGING : TAPE & REEL.

CONNECTOR FRONT EDGE
RECOMMAND PCB LAYOUT
(Recommended P.C.B Layout (THK:1.0mm)
(Component Side) TOLERANCE=±0.05



Pin	Signal NAME
1	VBUS
2	D-
3	D+
4	GND
5	SDA_SSRX-
6	SDA_SSRX+
7	GND_DRAIN
8	SDA_SSTX-
9	SDA_SSTX+

E	TERMINAL	5	C2680-H, *T=0.20	ALL 2mm OVER 30um Pd/Ni PLATED ON Sn 120um PLATED ON SOLDERING ALL OVER 80um NICKEL PLATING.
D	TERMINAL	4	C5210-EH, *T=0.20	
C	SHELL	1	STAINLESS STEEL T=0.30	NICKEL 60um MIN
B	BASE	1	PA91+45%GF-UL94-V0	BLACK
A	HOUSING	1	PA91+45%GF-UL94-V0	BLACK
NO	DESCRIPTION	QTY	MATERIAL	PLATING & COLOR

UNLESS OTHERWISE SPECIFIED TOLERANCES

DECIMALS: ANGLES:

X	:±0.5	X	:±2°
X.X	:±0.3	X.X	:±1'
X.XX	:±0.2		

Singatron Enterprise Co., Ltd.
信營企業股份有限公司

TITLE: USB 3.0 STD CONNECTOR

DWN: R12014.11.25 PART NO. 2UB3922-015101F

CHKD: SCALE 1:1 UNIT: mm

APVD: POY2014.11.25 SIZE: A3 SHEET: 1 OF 1 REV: A

CUSTOMER COPY