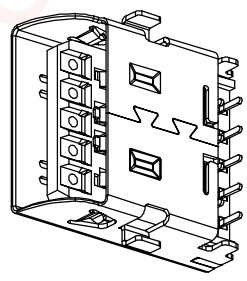
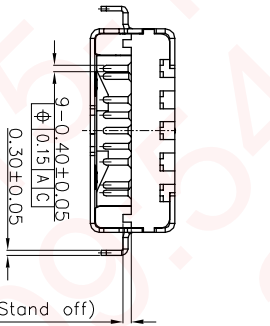
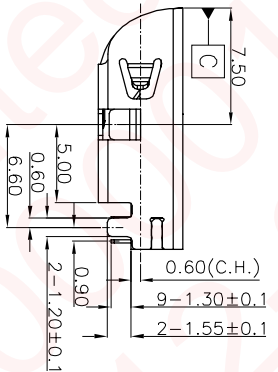
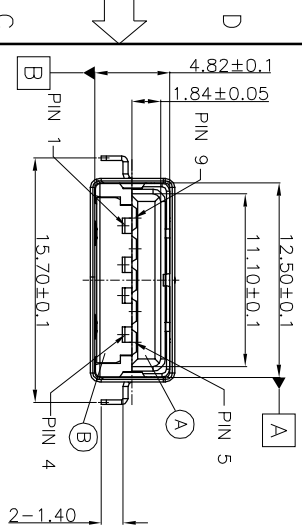


Recommended P.C.B Layout (THK:1.0mm)  
(Component Side) TOLERANCE=±0.05

Recommended P.C.B Layout (THK:1.0mm)  
(Component Side) TOLERANCE=±0.05

MATED SECTION



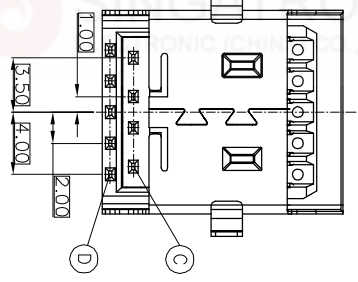
3D VIEW

REMARK	Pin Number	Signal ASSIGNMENT
	PIN 1	VBUS
	PIN 2	D-
	PIN 3	D+
	PIN 4	GND
	PIN 5	SiD4_SSRX-
	PIN 6	SiD4_SSRX+
	PIN 7	GND_DRAIN
	PIN 8	SiD4_SSTX-
	PIN 9	SiD4_SSTX+

NICKEL 60U"MIN

Size: 4x3.0mm, PIN 1 PARTED, OR ALL OVER 50um Nickel Plating

- SPECIFICATIONS:
1. ELECTRICAL CHARACTERISTICS:
- 1-1. CURRENT RATING: 1.8A (PIN1,4) ; OTHER CONTACTS 0.25A
  - 1-2. CONTACT RESISTANCE: 30mΩ MAX.
  - 1-3. DIELECTRIC WITHSTANDING VOLTAGE: 100V AC FOR 1 MINUTE
  - 1-4. INSULATION RESISTANCE: 100MΩ MIN .
2. MECHANICAL CHARACTERISTICS:
- 2-1. INSERTION FORCE : 2.5 Kgf MAX.
  - 2-2. WITHDRAWAL FORCE : 2.5Kgf MAX.
- INITIAL : 1.0Kgf.
- TEST AFTER : 0.80Kgf.
3. DURABILITY: 5,000 CYCLES.
4. TO CONFORM TO SINGATRON HAZARDOUS SUBSTANCE FREE SPEC.
- 5.HALOGEN PRODUCT IDENTIFICATION MARK ON JACK: ©
- 6.HALOGEN PRODUCT IDENTIFICATION LABEL ON PACKAGING:
7. FOR IR REFLOW PROCESS.
8. DATE : YMMDD-
9. PACKAGING : TAPE & REEL.



E	SHELL	1	SUS304, T=0.30	NICKEL 60U"MIN
D	5 PIN TERMINAL	5	C2680, T=0.20	
C	4 PIN TERMINAL	4	C5210, T=0.20	
B	BASE	1	PA9T UL94-V0	BLACK
A	BODY	1	PA9T UL94-V0	BLACK

UNLESS OTHERWISE SPECIFIED TOLERANCES

Singatron Enterprise Co., Ltd.  
信晉企業股份有限公司

TITLE: **USB 3.0 CONNECTOR**

DWN: Edt.Zhou PART NO.: **2UB3922-023101F**

CHKD: Jumes SCALE: 4:1 UNIT: mm

APVD: Boye SIZE: A3 SHEET: 1 OF 1 REV: 4

**CUSTOMER COPY**

REV	ECN NO OR DESCRIPTION	REVISED	DATE
A	PDR NO: T150707-2A	Edt.Zhou	2015.12.25