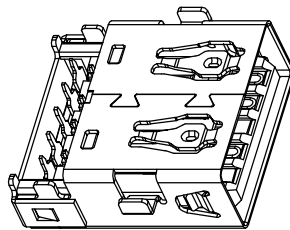
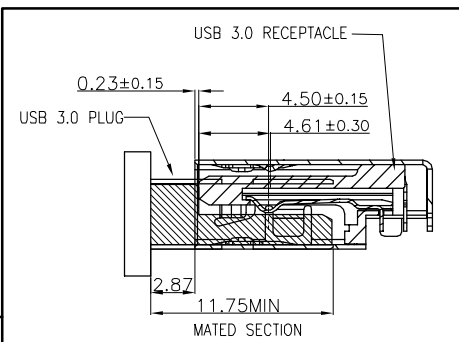
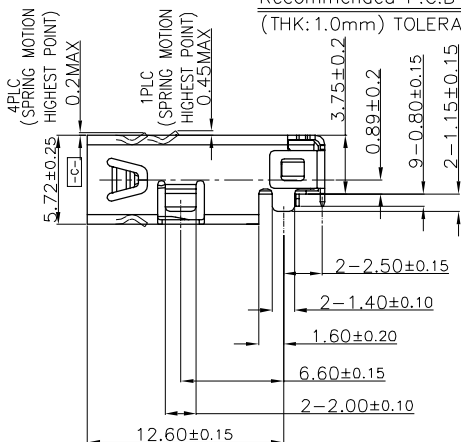
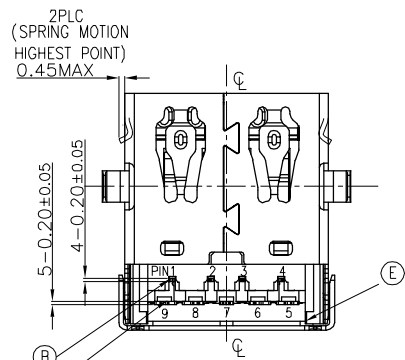
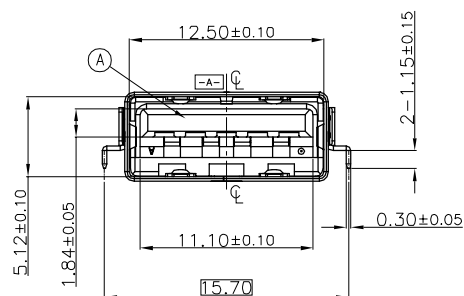
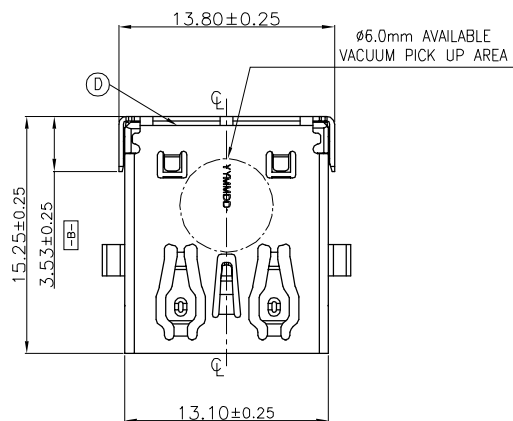
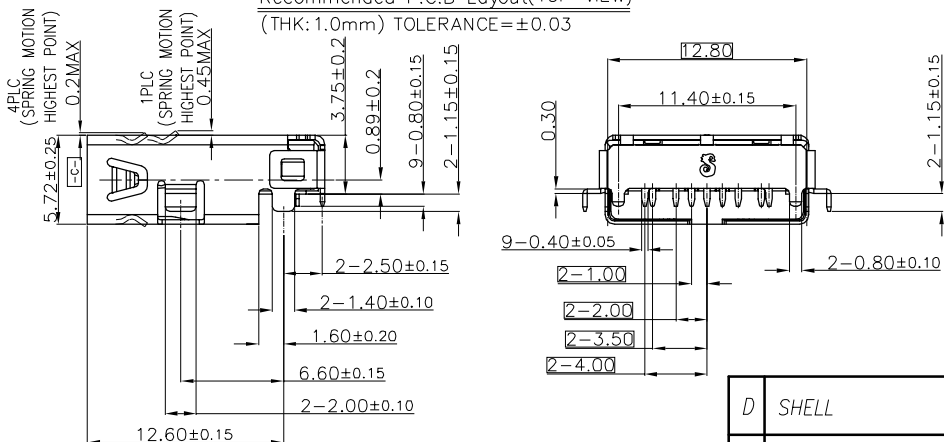


REV.	ECN NO OR DESCRIPTION	REVISED	DATE
A	PDR NO: T180208-1A/1B	wenrong	2019.04.24

SPECIFICATIONS:

- ELECTRICAL CHARACTERISTICS:
 - CURRENT RATING: 1.8A (PIN1,4) ; OTHER CONTACTS 0.25A
 - CONTACT RESISTANCE: 30mΩ MAX INITIAL FOR PIN 1-4.
50mΩ MAX INITIAL FOR OTHER PIN.
 - DIELECTRIC WITHSTANDING VOLTAGE: 100V AC FOR 1 MINUTE
 - INSULATION RESISTANCE: 100MΩ MIN .
- MECHANICAL CHARACTERISTICS:
 - INSERTION FORCE : 3.5 Kgf MAX.
 - WITHDRAWAL FORCE : 1.0 Kgf MIN(INITIAL),0.8 Kgf(AFTER TEST)
- DURABILITY: 5,000 CYCLES.
- TO CONFORM TO SINGATRON HAZARDOUS SUBSTANCE FREE SPEC.
- HALOGEN FREE IDENTIFICATION MARK ON JACK:
- HALOGEN FREE IDENTIFICATION LABEL ON PACKAGING:
- FOR IR REFLOW PROCESS.
- DATE : YYMMDD-
- PACKAGING : TAPE & REEL

Recommended P.C.B Layout(TOP VIEW)
(THK: 1.0mm) TOLERANCE=±0.03



3D View

REMARK	Pin Number	Signal ASSIGNMENT
USB2.0 CONTACT PIN	PIN 1	VBUS
	PIN 2	D-
	PIN 3	D+
	PIN 4	GND
USB3.0 CONTACT PIN	PIN 5	StdA_SSRX-
	PIN 6	StdA_SSRX+
	PIN 7	GND_DRAIN
	PIN 8	StdA_SSTX-
	PIN 9	StdA_SSTX+

D	SHELL	1	SUS304 1/2H, T=0.30	NICKEL 60uin MIN
C	5 PIN TERMINAL	5	C2680-H ,T=0.20	SEE TABLE PLATED ON CONTACT AREA; Matte Sn 120uin PLATED ON SOLDERING ALL OVER 80uin NICKEL PLATING.
B	4 PIN TERMINAL	4	C5210-EH ,T=0.20	
A	BODY	1	PA-4T+30%GF(TX1)	BLACK

NO	DESCRIPTION	QTY	MATERIAL	PLATING & COLOR
UNLESS OTHERWISE SPECIFIED TOLERANCES		Singatron Enterprise Co., Ltd. 信音企業股份有限公司		
DECIMALS:		TITLE		
X	:±0.5	X	:±2'	USB 3.0 STD CONNECTOR
X.X	:±0.3	X.X	:±1'	DWN wenrong PART NO:2UB3922-0XX101F
X.XX	:±0.2	CHKD JAMES	SCALE:4:1	UNIT: mm
		APVD BOYE	SIZE: A3	SHEET:1 OF 1 REV:A

CUSTOMER COPY

TABLE:

2UB3922-030101F	Au 30u''	T180208-1B
2UB3922-029101F	G/F	T180208-1A