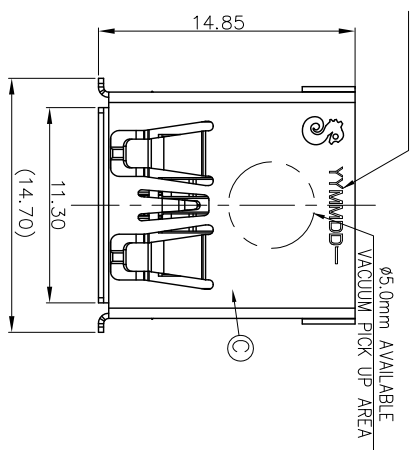
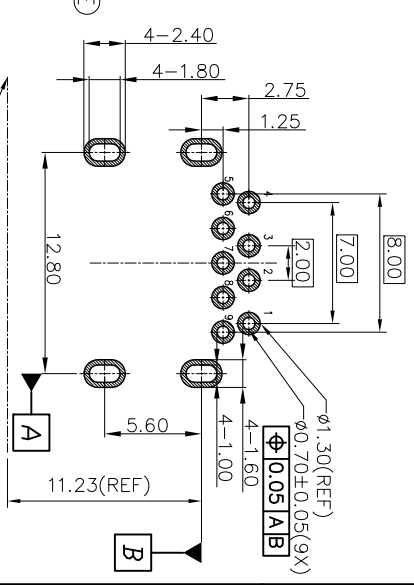
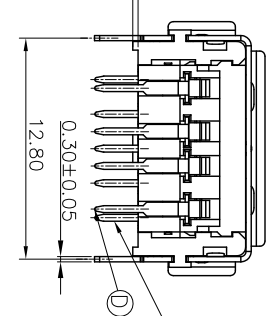
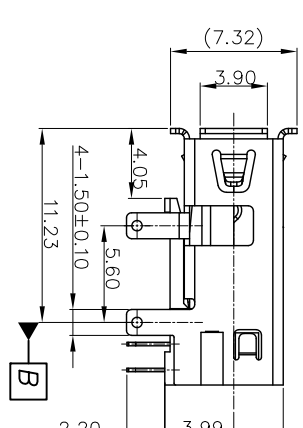
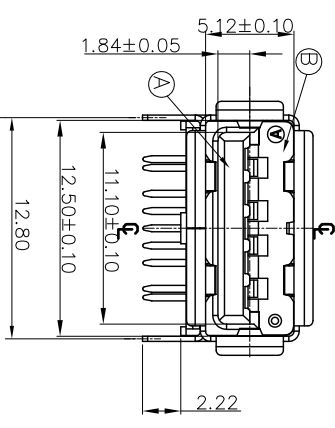


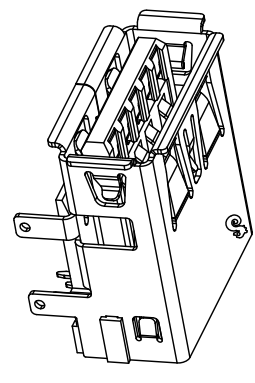
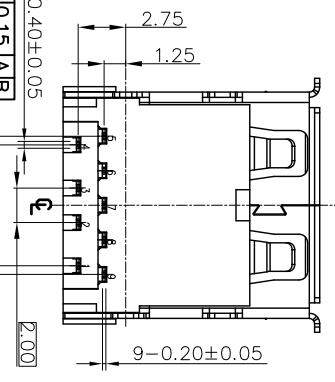
REV	ECON NO	OR DESCRIPTION	REVISED	DATE
A	PDR NO: T130104-1A		fly	2013.07.25



- DATE CODE
- 05.0mm AVAILABLE VACUUM PICK UP AREA
- YMMDD-
1. ELECTRICAL CHARACTERISTICS:
- 1-1. CURRENT RATING: 1.8A (PIN1,4) ; OTHER CONTACTS 0.25A
 - 1-2. CONTACT RESISTANCE: 30mΩ MAX INITIAL FOR PIN 1-4. 50mΩ MAX INITIAL FOR OTHER PIN.
 - 1-3. DIELECTRIC WITHSTANDING VOLTAGE: 100V AC FOR 1 MINUTE
 - 1-4. INSULATION RESISTANCE: 100MΩ MIN.
2. MECHANICAL CHARACTERISTICS:
- 2-1. INSERTION FORCE : 3.5 Kgf MAX.
 - 2-2. WITHDRAWAL FORCE : 1.0 Kgf MIN(INITIAL),0.8 Kgf(AFTER TEST)
3. DURABILITY: 5,000 CYCLES.
4. TO CONFORM TO SINGATRON HAZARDOUS SUBSTANCE FREE SPEC.
5. HALOGEN FREE IDENTIFICATION MARK ON JACK:
6. HALOGEN FREE IDENTIFICATION LABEL ON PACKAGING:
7. FOR WAVE SOLDERING LEAD-FREE PROCESS.
8. DATE : YMMDD-
9. PACKAGING : TAPE & REEL



FRONT EDGE OF CONNECTOR
Recommended P.C.B Layout(TOP VIEW)
TOLERANCE = ±0.05(THK: 1.60mm)



Pin	Signal NAME	E	5-TERMINAL	5	COOPER ALLOY T=0.20	Sun AU ON MATTING AREA	
1	VBUS	D	4-TERMINAL	4	COOPER ALLOY T=0.20	LATTE Sn 100um ON SOLDERING AREA	
2	D-	C	SHELL	1	STAINLESS STEEL T=0.30	60um NICKEL UNDER PLATING OVERALL	
3	D+	B	BASE	1	HIGH THERMOPLASTIC	YELLOW(123C)	
4	GND	A	HOUSING	1	HIGH THERMOPLASTIC	YELLOW(123C)	
5	GND	NO	DESCRIPTION	QTY	MATERIAL	PLATING & COLOR	
6	SldA_SSRX+	UNLESS OTHERWISE SPECIFIED TOLERANCES					
7	GND_DRAIN	DECIMALS:					
8	SldA_SSTX-	ANGLES:					
9	SldA_SSTX+	X.XX : ±0.2					

TITLE	USB 3.0 REVERSE CONNECTOR
DWN	2013.08.06
CHKD	SCALE 1:1
APVD	2013.08.06
SHEET: 1 OF 1	
REV: A	
CUSTOMER COPY	

Singatron Enterprise Co., Ltd.
信亨企業股份有限公司