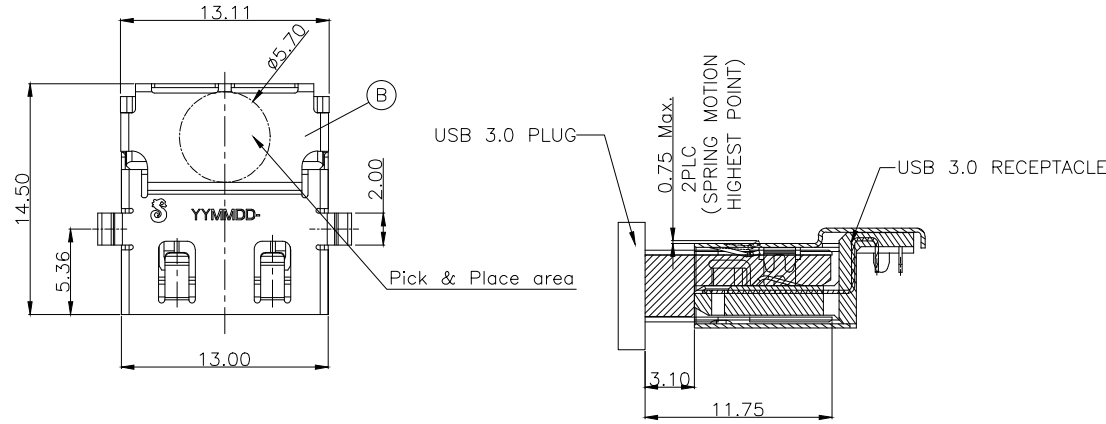
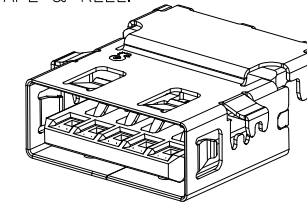


REV.	ECN NO OR DESCRIPTION	REVISED	DATE
A	PDR NO:S150917-7A	TOMMY	2016.05.27

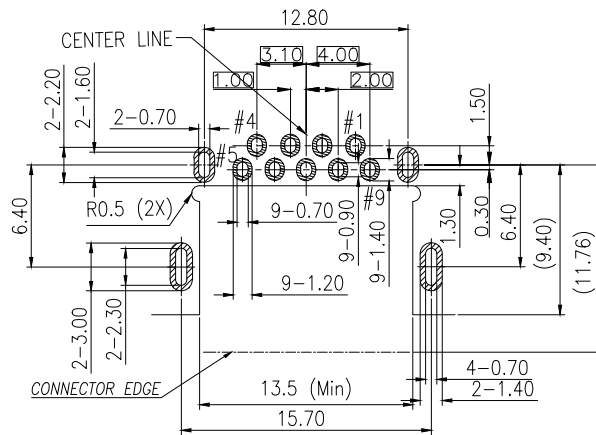
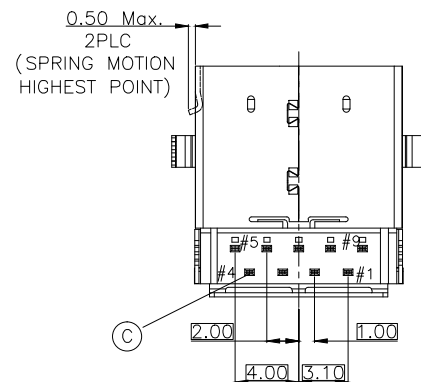
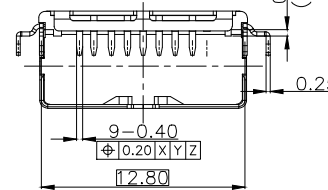
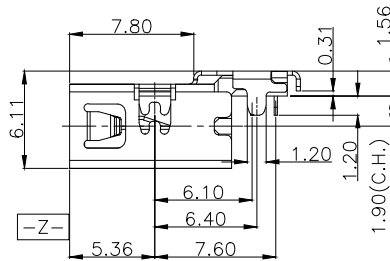
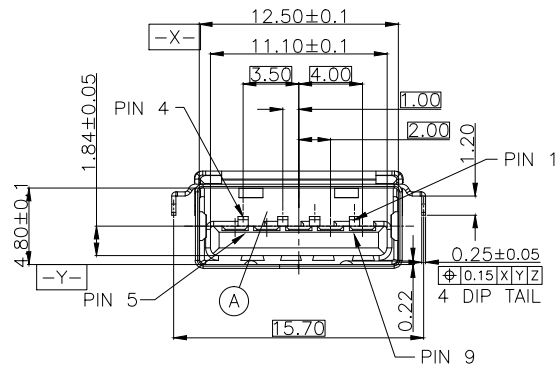


SPECIFICATIONS:

- ELECTRICAL CHARACTERISTICS:
 - CURRENT RATING: 1.8A (PIN1,4) ; OTHER CONTACTS 0.25A
 - CONTACT RESISTANCE: 30mΩ MAX.
 - DIELECTRIC WITHSTANDING VOLTAGE: 100V AC FOR 1 MINUTE
 - INSULATION RESISTANCE: 100MΩ MIN .
- MECHANICAL CHARACTERISTICS:
 - INSERTION FORCE : 3.0 Kgf MAX.
 - WITHDRAWAL FORCE : 3.0Kgf MAX.
INITIAL : 1.0Kgf.
TEST AFTER : 0.80Kgf.
- DURABILITY: 5,000 CYCLES.
- TO CONFORM TO SINGATRON HAZARDOUS SUBSTANCE FREE SPEC.
- HALOGEN PRODUCT IDENTIFICATION MARK ON JACK:
- HALOGEN PRODUCT IDENTIFICATION LABEL ON PACKAGING:
- FOR WAVE SOLDERING LEAD-FREE PROCESS.
- DATE : YYMMDD-
- PACKAGING : TAPE & REEL.



3D VIEW



Recommended P.C.B Layout(THK:1.0mm)
TOLERANCE=±0.05(TOP VIEW)

REMARK	Pin Number	SIGNAL ASSIGNMENT
USB2.0 CONTACT PIN	PIN 1	VBUS
	PIN 2	D-
	PIN 3	D+
	PIN 4	GND
USB3.0 CONTACT PIN	PIN 5	StdA_SSRX-
	PIN 6	StdA_SSRX+
	PIN 7	GND_DRAIN
	PIN 8	StdA_SSTX-
	PIN 9	StdA_SSTX+

NO	DESCRIPTION	QTY	MATERIAL	PLATING & COLOR
C	TERMINAL	9	COPPER ALLOY, T=0.25	GOLD FLASH OVER PLATED ON MATING AREA, Matt. Sn 100uin Min, PLATED ON SOLDERING 60uin NICKEL UNDER PLATING OVERALL
B	SHELL	1	STAINLESS STEEL, T=0.30	NICKEL 60u"MIN
A	BODY	1	PA9T UL94-V0	BLACK
UNLESS OTHERWISE SPECIFIED TOLERANCES		Singatron Enterprise Co., Ltd. 信音電字(中國)股份有限公司		
DECIMALS: ANGLES:		TITLE		
X :±0.5	X :±2°	DWN	TOMMY	USB 3.0 CONNECTOR
X.X :±0.3	X.X :±1°	CHKD		PART NO:2UB3956-000101F
X.XX :±0.2		APVD		SCALE:4:1 UNIT: mm
		SIZE: A3 SHEET:1 OF 1 REV:A		
CUSTOMER COPY				