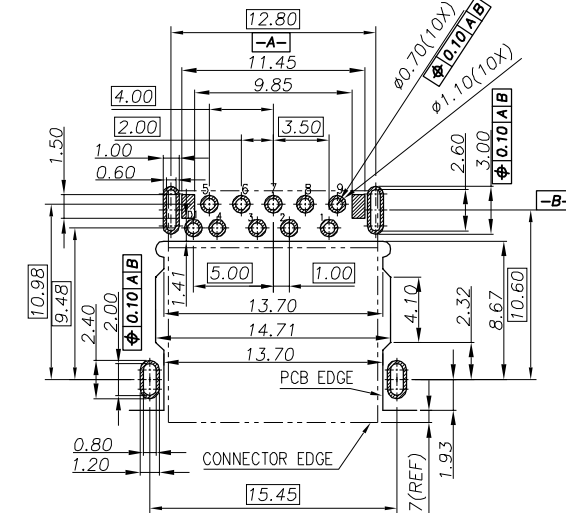
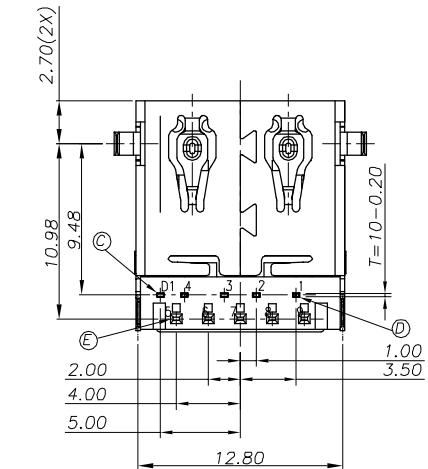
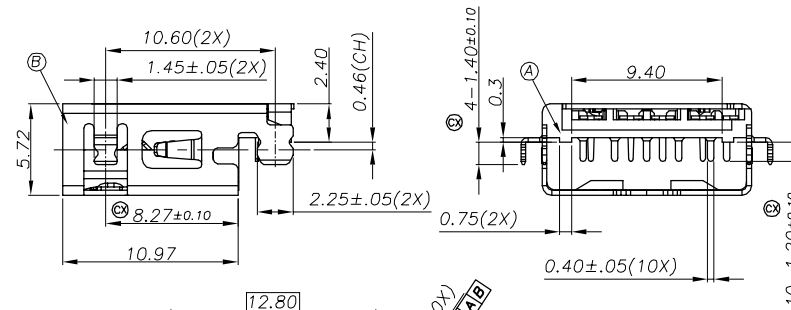
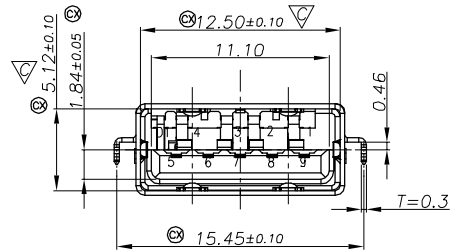
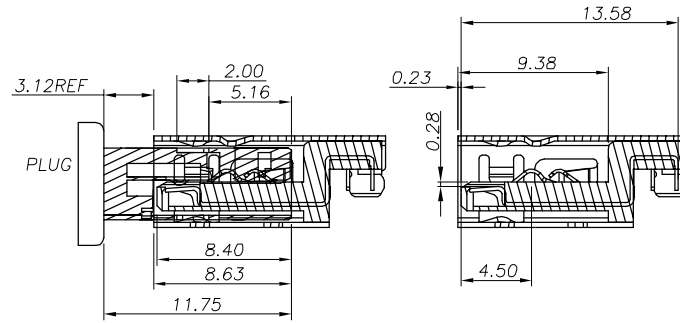
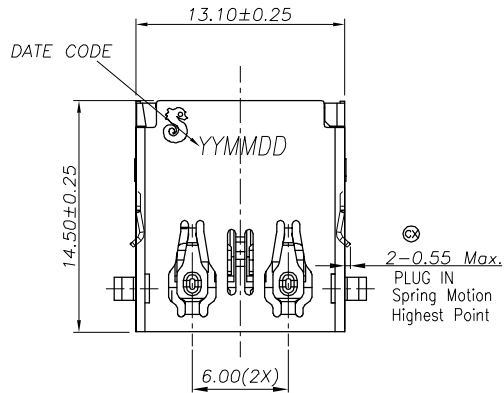


REV.	ECN NO OR DESCRIPTION	REVISED	DATE
A	PDR NO:S161117-6A	Allen	2018.04.02

SPECIFICATIONS:

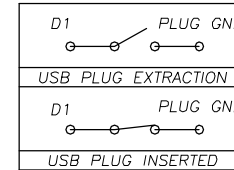
- ELECTRICAL CHARACTERISTICS:
 - CURRENT RATING: 1.8A (PIN1,4) ; OTHER CONTACTS 0.25A
 - CONTACT RESISTANCE: 30mΩ MAX.
 - DIELECTRIC WITHSTANDING VOLTAGE: 100V AC FOR 1 MINUTE
 - INSULATION RESISTANCE: 100MΩ MIN
- MECHANICAL CHARACTERISTICS:
 - INSERTION FORCE : 3.0 Kgf MAX
 - WITHDRAWAL FORCE : 0.7 Kgf MIN
- DURABILITY: 5,000 CYCLES.
- TO CONFORM TO SINGATRON HAZARDOUS SUBSTANCE FREE SPEC.
- HALOGEN FREE IDENTIFICATION MARK ON JACK:
- HALOGEN FREE IDENTIFICATION LABEL ON PACKAGING:
- FOR IR RE-FLOW PROCESS.
- DATE : YYMMDD
- PACKAGING : TAPE & REEL.
- * REPRESENT CRITICAL DIMENSIONS.
- REPRESENT CPK DIMENSIONS.

USB 3.0尺寸規範
SCALE 1:1



Recommended P.C.B Layout (THICKNESS=1.0mm)
(Component Side) TOLERANCE=±0.05; Top View

DETECT PIN FUNCTION CHART



Pin NO.	Signal Assignment
1	VBUS
2	D-
3	D+
4	PGND
D1	DETECT PIN
5	SSRX-
6	SSRX+
7	GND
8	SSTX-
9	SSTX+

NO	DESCRIPTION	QTY	MATERIAL	PLATING & COLOR
E	TERMINAL	5	C2680H 0.2t	
D	TERMINAL	4	C5210EH 0.2t	5u" Au OVER ON MATING AREA, MATTE Sn 100um ON SOLDERING AREA, 80um NICKEL UNDER PLATING OVERALL
C	DETECT PIN	1	C5210EH 0.2t	
B	SHELL	1	SUS304 0.3t	NICKEL 60u"MIN
A	HOUSING	1	PA9T+45%G.F UL94V-0	BLACK
UNLESS OTHERWISE SPECIFIED TOLERANCES		Singatron Enterprise Co., Ltd. 信音企業股份有限公司		
DECIMALS:	ANGLES:	TITLE	USB 3.0 REVERSE CONNECTOR	
X :±0.5	X :±2°	DWN ALLEN	PART NO.2UB3958-000101F	
X.X :±0.3	X.X :±1°	CHKD JAMES	SCALE 1:1	UNIT: mm
X.XX :±0.2		APVD BOYE	SIZE: A3	SHEET:1 OF 1
REV:A				
CUSTOMER COPY				