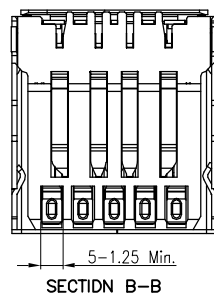
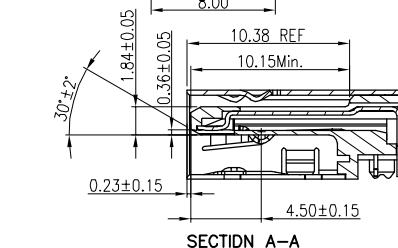
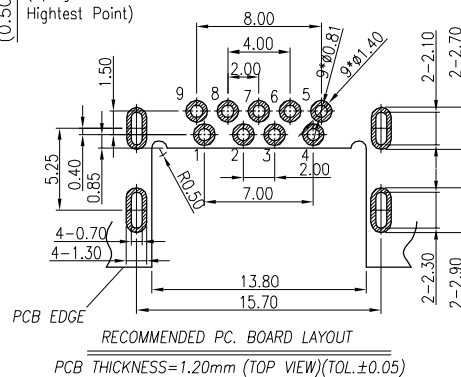
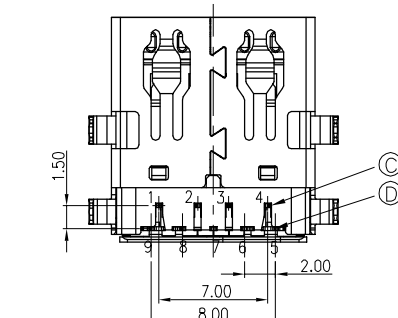
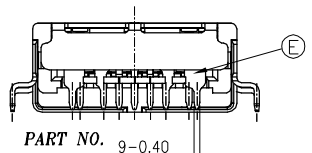
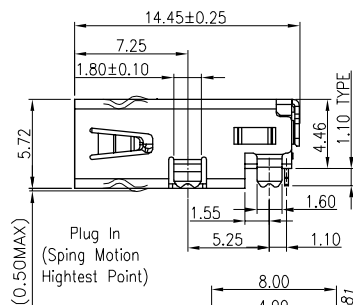
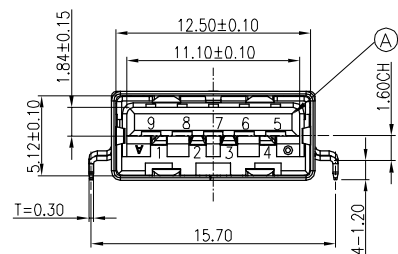
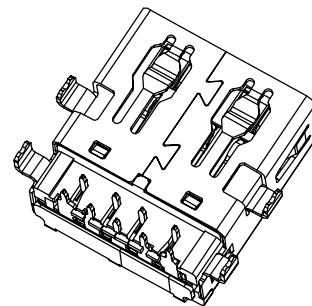
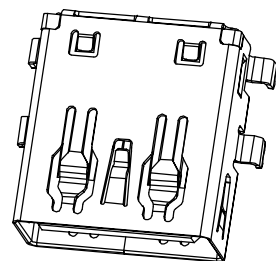
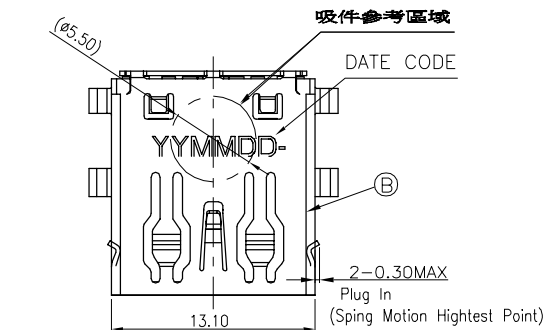
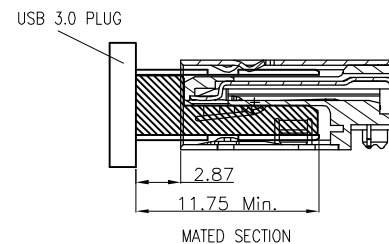


REV.	ECN NO OR DESCRIPTION	REVISED	DATE
A	PDR NO.T220120-3A/3B	XIAO	2022.06.30



SPECIFICATIONS:

- ELECTRICAL CHARACTERISTICS:
  - CURRENT RATING: 1.8A (PIN1,4) ; OTHER CONTACTS 0.25A MIN
  - CONTACT RESISTANCE: 30mΩ MAX.
  - DIELECTRIC WITHSTANDING VOLTAGE: 100V AC FOR 1 MINUTE
  - INSULATION RESISTANCE: 100MΩ MIN
- MECHANICAL CHARACTERISTICS:
  - INSERTION FORCE : 3.5 Kgf MAX.
  - WITHDRAWAL FORCE : 1.0~3.5 Kgf And 8N MIN AFTER TEST
- DURABILITY: 5,000 CYCLES.
- TO CONFORM TO SINGATRON HAZARDOUS SUBSTANCE FREE SPEC.
- HALOGEN PRODUCT IDENTIFICATION LABEL ON PACKAGING:
- FOR REFLOW SOLDERING LEAD-FREE PROCESS.
- DATE : YYMMDD
- PACKAGING : TAPE & REEL.



2UB3965-000X01F

- GOLD FLASH PLATING ON CONTACT AREA;
- 30U"AU PLATING ON CONTACT AREA;

Pin Number	Signal ASSIGNMEN
PIN 1	VBUS
PIN 2	D-
PIN 3	D+
PIN 4	GND
PIN 5	StdA SSRX-
PIN 6	StdA SSRX+
PIN 7	GND DRAIN
PIN 8	StdA SSTX-
PIN 9	StdA SSTX+

NO	DESCRIPTION	QTY	MATERIAL	PLATING & COLOR
D	TERMINAL 3.0	5	COPPER ALLOY	SEE P/N ON CONTACT AREA;
C	TERMINAL 2.0	4	COPPER ALLOY	WATTE Sn 120µin ON SOLDER AREA;
B	SHELL	1	SUS304-1/2H 0.30T	80µin NICKEL UNDER PLATING OVERALL
A	HOUSING	1	LCP+30%GF E130I	60µin Min. Solderable Nickel platin
				BLACK

UNLESS OTHERWISE SPECIFIED TOLERANCES

Singatron Enterprise Co., Ltd.  
信音企業股份有限公司

DECIMALS:	ANGLES:	TITLE	USB 3.0 CONNECTOR H=1.60		
X : ±0.5	X : ±2°	DWN	XIAO	PART NO.2UB3965-000X01F	
X.X : ±0.3	X.X : ±1°	CHKD	ALELN	SCALE 4:1	UNIT: mm
X.XX : ±0.2		APVD	BOYE	SIZE: A3	SHEET:1 OF 1
					REV: A

CUSTOMER COPY