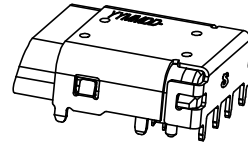
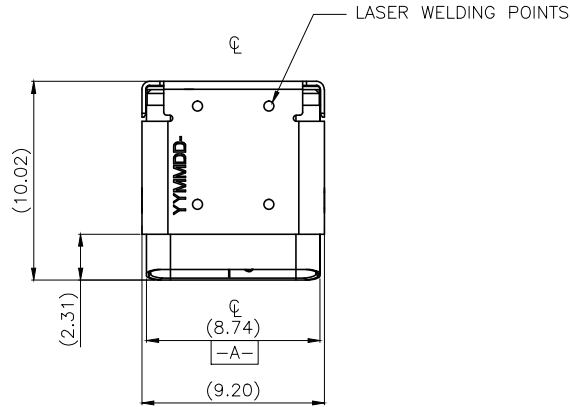
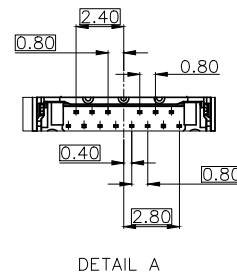
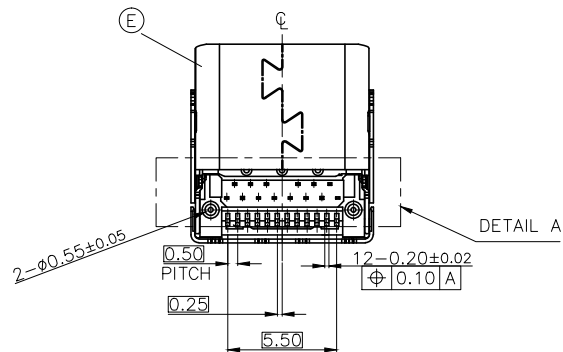
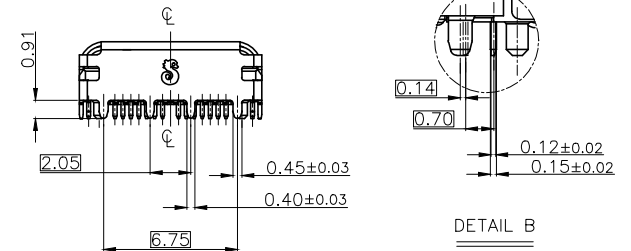
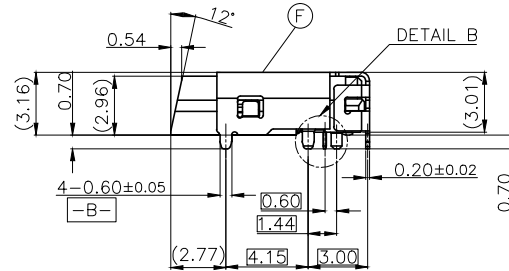
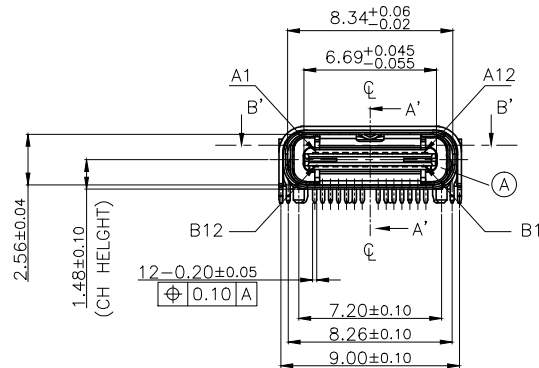


REV.	ECN NO OR DESCRIPTION	REVISED	DATE
A	PDR NO:T141113-2A	ERIC.WU	2018.04.02



- SPECIFICATIONS:
- ELECTRICAL CHARACTERISTICS:
 - 1-1. LLCR:
 - VBUS & GND PINS: 40mΩ /PIN MAX.
 - OTHER PINS: 40mΩ /PIN MAX.
 - LLCR MAX. CHANGE OF ALL PINS: 10mΩ.
 - 1-2. CURRENT RATING: 3.0 A Max.
 - 1-3. VOLTAGE RATING: 5.0 V.
 - 1-4. INSULATION RESISTANCE: 100M Ω MIN.
 - 1-5. ENVIRONMENTAL PERFORMANCE:
 - OPERATING TEMPERATURE: -55°C~+85°C.
 - MECHANICAL CHARACTERISTICS:
 - 2-1. MATING FORCE : 0.5-2.0 Kgf.
 - 2-2. UNMATING FORCE : 0.8-2.0 Kgf.
 - LIFE TEST: 10000 CYCLES MIN.
 - TO CONFORM TO SINGATRON HAZARDOUS SUBSTANCE FREE SPEC.
 - HALOGEN FREE PRODUCT IDENTIFICATION MARK ON JACK:
 - HALOGEN FREE PRODUCT IDENTIFICATION LABEL ON PACKAGING:
 - FOR REFLOW SOLDERING LEAD-FREE PROCESS.



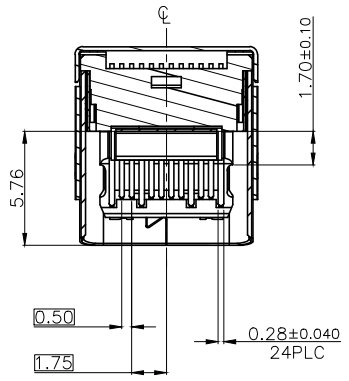
F	TOP SHELL	1	STAINLESS STEEL,T=0.20	NICKEL 60u"MIN
E	SHELL	1	STAINLESS STEEL,T=0.20	NICKEL 60u"MIN
D	MATE GROUND	1	STAINLESS STEEL,T=0.10	N/A
C	MID GROUND	1	STAINLESS STEEL,T=0.15	NICKEL 60u"MIN
B	CONTACT	24	COPPER ALLOY, T=0.12	Au 2u"±30u" Pd/Ni PLATED ON CONTACT AREA; Matt. Sn 100u" Min. PLATED ON SOLDERING 60u" NICKEL UNDER PLATING OVERALL
A	BODY	1	HIGH TEMP.THERMOPLASTIC	BLACK

NO	DESCRIPTION	QTY	MATERIAL	PLATING & COLOR
UNLESS OTHERWISE SPECIFIED TOLERANCES				
Singatron Enterprise Co., Ltd.				

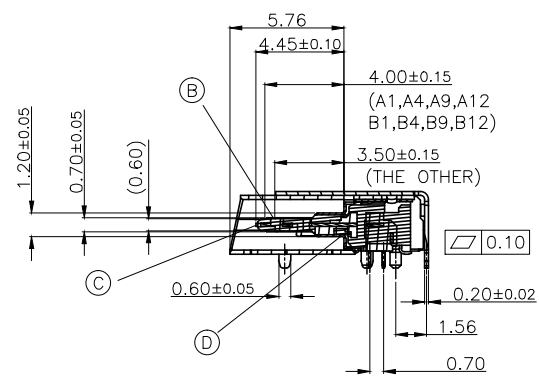
DECIMALS:	ANGLES:	TITLE	USB TYPE -C FULL FEATURE CONN. TOP-MOUNT RECEPTACLE HYBRID TH AND SMT RIGHT ANGLE		
X :±0.5	X :±2°	DWN	ERIC.WU	PART NO: 2UB3C01-001111F	
X.X :±0.3	X.X :±1°	CHKD	Boye	SCALE:4:1	UNIT: mm
X.XX :±0.2		APVD	Liao	SIZE: A3	SHEET:1 OF 2
REV: A					

CUSTOMER COPY

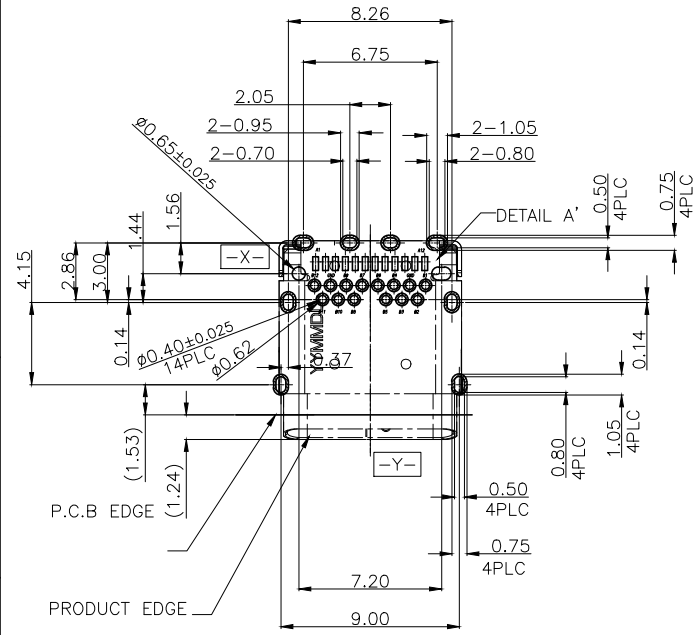
REV.	ECN NO OR DESCRIPTION	REVISED	DATE
A	PDR NO:T141113-2A	ERIC.WU	2018.04.02



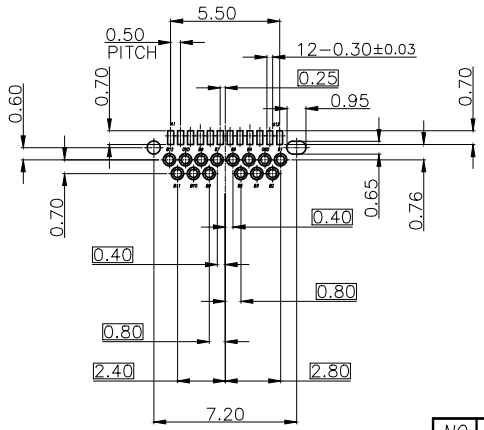
SECTION B'-B'



SECTION A'-A'



RECOMMENDED P.C.B LAYOUT(TOP VIEW)
TOLERANCE=±0.05(THK: 0.80mm)



DETAIL A'

USB TYP-C PIN ASSIGNMENTS:

NO.	PIN NUMBER	SIGNAL NAME	NO.	PIN NUMBER	SIGNAL NAME
1	A1	GND	13	B12	GND
2	A2	SSTXp1	14	B11	SSRXp1
3	A3	SSTXn1	15	B10	SSRXn1
4	A4	VBUS	16	B9	VBUS
5	A5	CC1	17	B8	RFU2
6	A6	Dp1	18	B7	Dn2
7	A7	Dn1	19	B6	Dp2
8	A8	RFU1	20	B5	CC2
9	A9	VBUS	21	B4	VBUS
10	A10	SSRXn2	22	B3	SSTXn2
11	A11	SSRXp2	23	B2	SSTXp2
12	A12	GND	24	B1	GND

NO.	DESCRIPTION	QTY	MATERIAL	PLATING & COLOR
UNLESS OTHERWISE SPECIFIED TOLERANCES		Singatron Enterprise Co., Ltd.		
DECIMALS: ANGLES:		TITLE: USB TYPE -C FULL FEATURE CONN. TOP-MOUNT RECEPTACLE HYBRID TH AND SMT RIGHT ANGLE		
X	:±0.5 X :±2°	DWN	ERIC.WU	PART NO: 2UB3C01-001111F
X.X	:±0.3 X.X :±1°	CHKD	Boye	SCALE:4:1 UNIT: mm
X.XX	:±0.2	APVD	Liao	SIZE: A3 SHEET:2 OF 2 REV: A
CUSTOMER COPY				