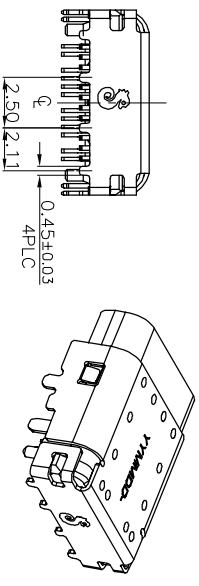
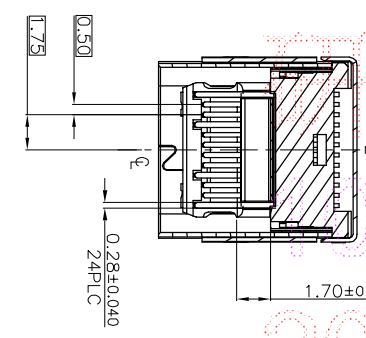
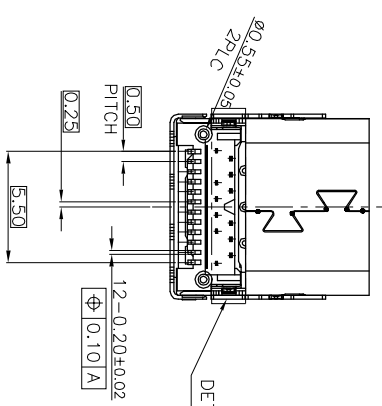
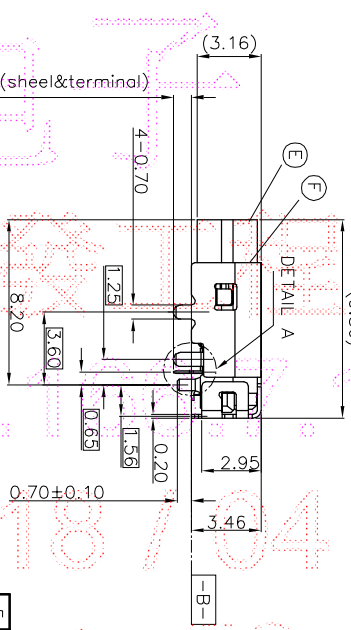
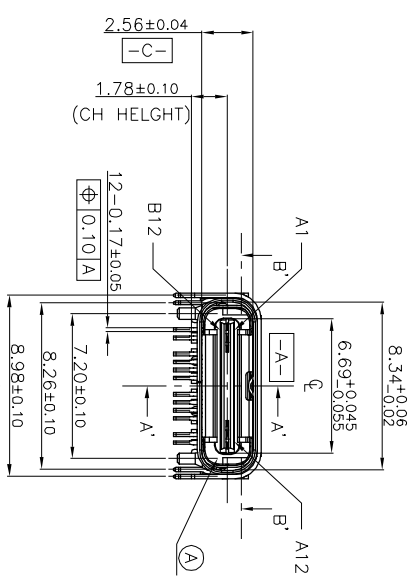
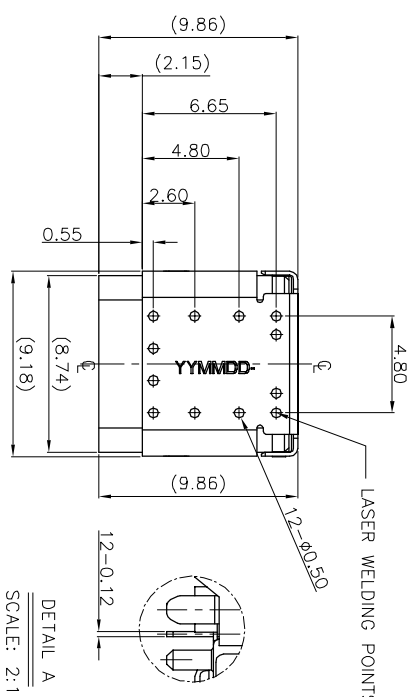


REV.	ECN NO OR DESCRIPTION	REVISED	DATE
A	PDR NO:141226-8A	ERIC-WU	2018.04.03

- SPECIFICATIONS:
- ELECTRICAL CHARACTERISTICS:
 - 1-1. LCR: VBUS & GND PINS: 40mΩ /PIN MAX. OTHER PINS: 40mΩ /PIN MAX. LCR MAX. CHANGE OF ALL PINS: 10mΩ.
 - 1-2. CURRENT RATING: 5.0 A Max.
 - 1-3. VOLTAGE RATING: 20.0 V.
 - 1-4. INSULATION RESISTANCE: 100MΩ MIN.
 - 1-5. ENVIRONMENTAL PERFORMANCE: OPERATING TEMPERATURE: -55°C~+85°C.
 - MECHANICAL CHARACTERISTICS:
 - 2-1. MATING FORCE : 0.5~2.0 Kgf.
 - 2-2. UNMATING FORCE : 0.8~2.0 Kgf.
 3. LIFE TEST: 10000 CYCLES MIN.
 4. TO CONFORM TO SINGATRON HAZARDOUS SUBSTANCE FREE SPEC.
 5. HALOGEN FREE PRODUCT IDENTIFICATION MARK ON JACK.
 6. HALOGEN FREE PRODUCT IDENTIFICATION LABEL ON PACKAGING.
 7. FOR REFLOW SOLDERING LEAD-FREE PROCESS.



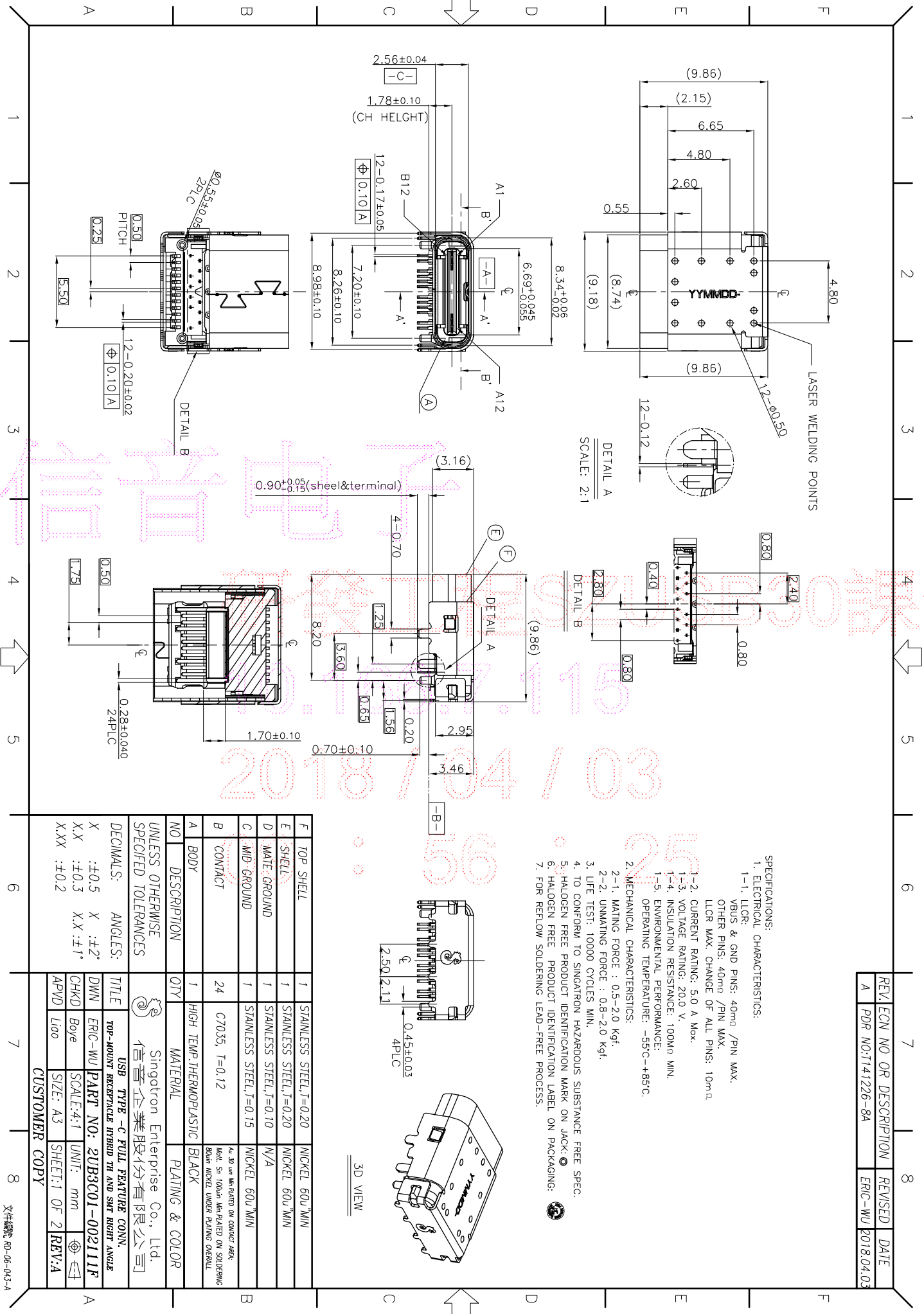
3D VIEW

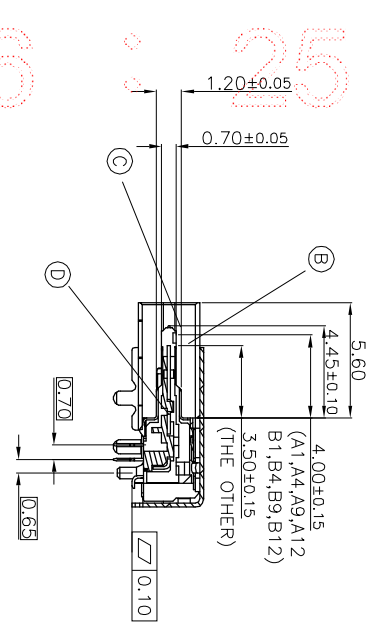
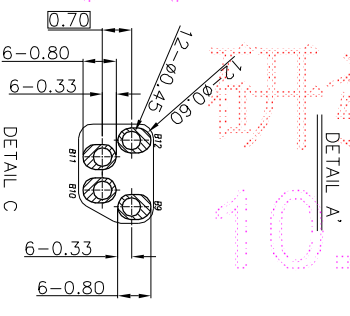
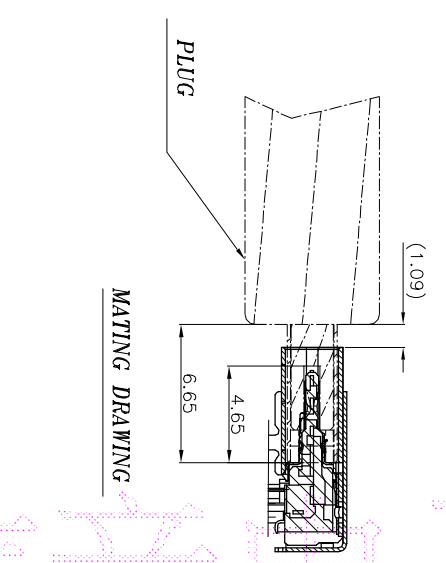
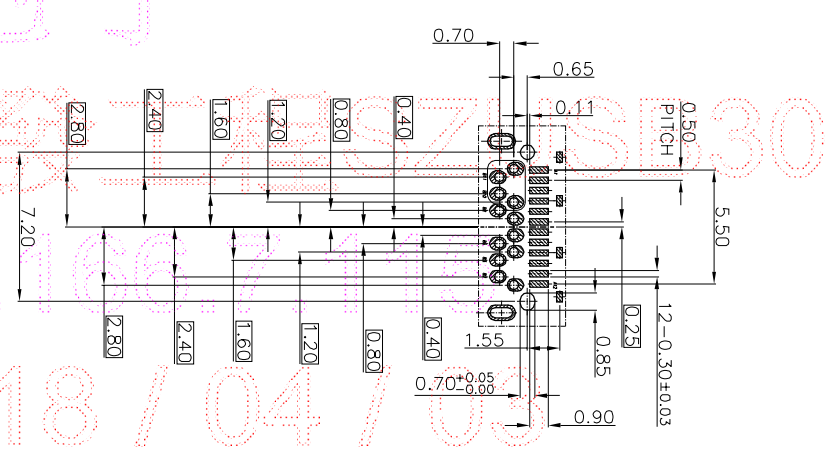
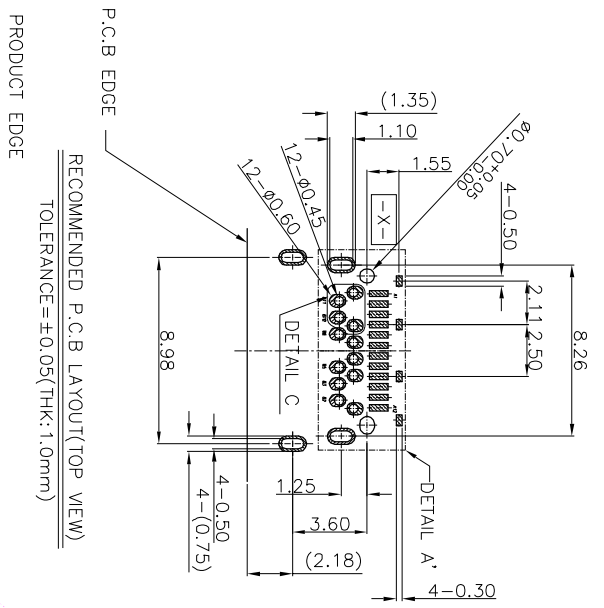
NO	DESCRIPTION	QTY	MATERIAL	PLATING & COLOR
F	TOP SHELL	1	STAINLESS STEEL,T=0.20	NICKEL 60U *MIN
E	SHELL	1	STAINLESS STEEL,T=0.20	NICKEL 60U *MIN
D	MATE: GROUND	1	STAINLESS STEEL,T=0.10	N/A
C	MID: GROUND	1	STAINLESS STEEL,T=0.15	NICKEL 60U *MIN
B	CONTACT	24	C7035, T=0.12	Has to be un-manipulated on contact area. Made in Taiwan. Manufactured on soldering board nickel under plating over-plate.
A	BODY	1	HIGH TEMP-THERMOPLASTIC	BLACK

DECIMALS:	ANGLES:	TITLE
X : ±0.5	X : ±2°	USB TYPE - C FULL FEATURE CONN.
X.X : ±0.3	X.X : ±1°	TOP-MOUNT RECEPTACLE HYBRID TH AND SMT RIGHT ANGLE
X.XX : ±0.2		ERIC-WU PART NO: 2UB3C01-002111F
		CHKD Boye SCALE:4:1 UNIT: mm
		APVD L100 SIZE: A3 SHEET:1 OF 2 REV:A

Singatron Enterprise Co., Ltd.
 信晉企業股份有限公司

CUSTOMER COPY





USB TYP-C PIN ASSIGNMENTS:

NO	PIN NUMBER	SIGNAL NAME	NO	PIN NUMBER	SIGNAL NAME
1	A1	GND	13	B12	GND
2	A2	SSTXp1	14	B11	SSRXp1
3	A3	SSTXn1	15	B10	SSRXn1
4	A4	VBUS	16	B9	VBUS
5	A5	CC1	17	B8	RFU2
6	A6	Dp1	18	B7	Dn2
7	A7	Dn1	19	B6	Dp2
8	A8	RFU1	20	B5	CC2
9	A9	VBUS	21	B4	VBUS
10	A10	SSRXn2	22	B3	SSTXn2
11	A11	SSRXp2	23	B2	SSTXp2
12	A12	GND	24	B1	GND

NO	DESCRIPTION	QTY	MATERIAL	PLATING & COLOR
UNLESS OTHERWISE SPECIFIED TOLERANCES				
Singatron Enterprise Co., Ltd. 信登企業股份有限公司				
TITLE: USB TYPE - C FULL FEATURE CONN.				
DWG: ERIC-WU PART NO: 20B3C01-002111F				
CHKD: Boye SCALE: 4:1 UNIT: mm				
APVD: L100 SIZE: A3 SHEET: 2 OF 2 REV: A				

REV	EGN NO	OR DESCRIPTION	REVISED	DATE
A	PDR NO:1141226-8A	ERIC-WU	2018.04.03	