
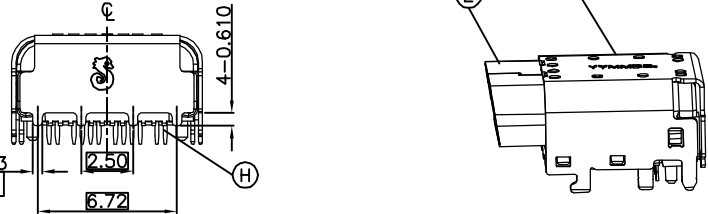
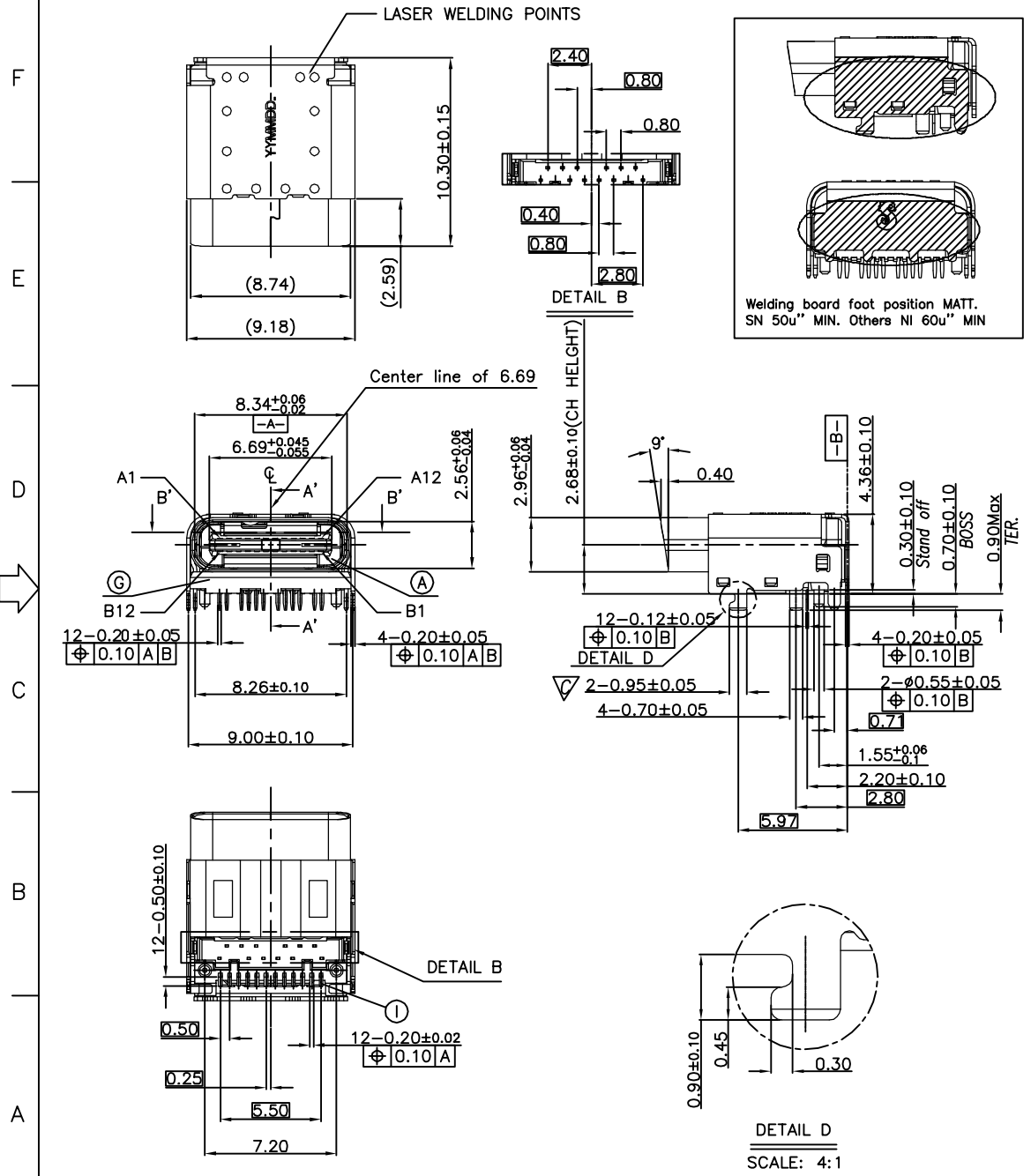


1 2 3 4 5 6 7 8


REV.	ECN NO OR DESCRIPTION	REVISED	DATE
A	PDR NO.:150216-1A	Edi.Zhou	2016.06.17
B	ECN NO: S160832-Q/S160838-P	Edi.Zhou	2016.09.26
C	ECN NO:S161241-P	Edi.Zhou	2017.03.14
D	ECR NO:S170820-0	Edi.Zhou	2017.11.07

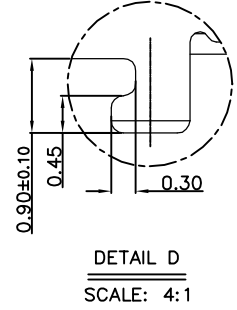
SPECIFICATIONS:

- ELECTRICAL CHARACTERISTICS:
 - 1-1. LLCR:
 - VBUS & GND PINS: 40mΩ /PIN MAX.
 - OTHER PINS: 40mΩ /PIN MAX.
 - LLCR MAX. CHANGE OF ALL PINS: 10mΩ.
 - 1-2. CURRENT RATING: 3.0 A Max.
 - 1-3. VOLTAGE RATING: 5.0 V.
 - 1-4. INSULATION RESISTANCE: 100MΩ MIN.
 - 1-5. ENVIRONMENTAL PERFORMANCE:
 - OPERATING TEMPERATURE: -55°C--+85°C.
- MECHANICAL CHARACTERISTICS:
 - 2-1. MATING FORCE : 0.5-2.0 Kgf.
 - 2-2. UNMATING FORCE : 0.8-2.0 Kgf.
- LIFE TEST: 10000 CYCLES MIN.
- TO CONFORM TO SINGATRON HAZARDOUS SUBSTANCE FREE SPEC.
- HALOGEN FREE PRODUCT IDENTIFICATION MARK ON JACK: 
- HALOGEN FREE PRODUCT IDENTIFICATION LABEL ON PACKAGING:
- FOR REFLOW SOLDERING LEAD-FREE PROCESS.

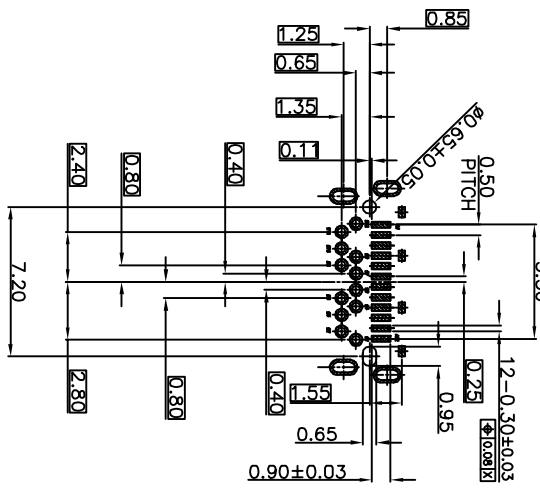
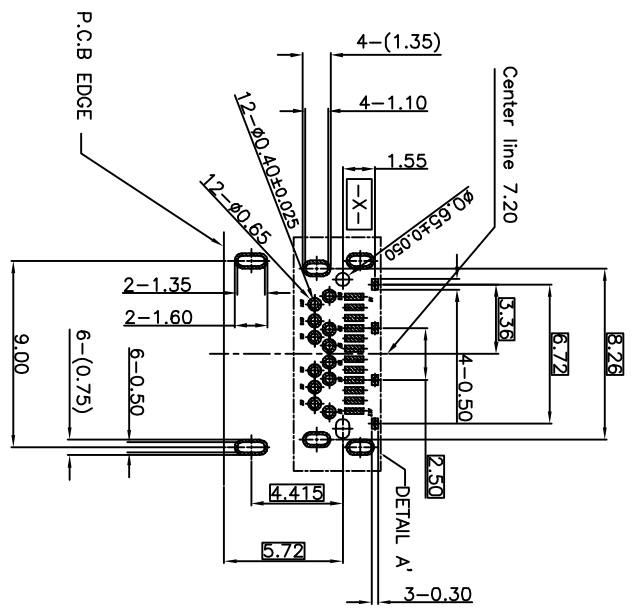
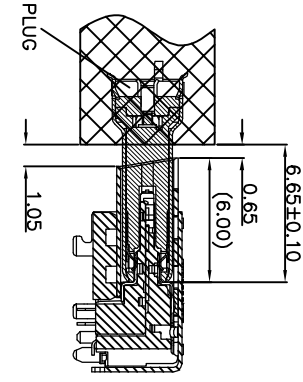
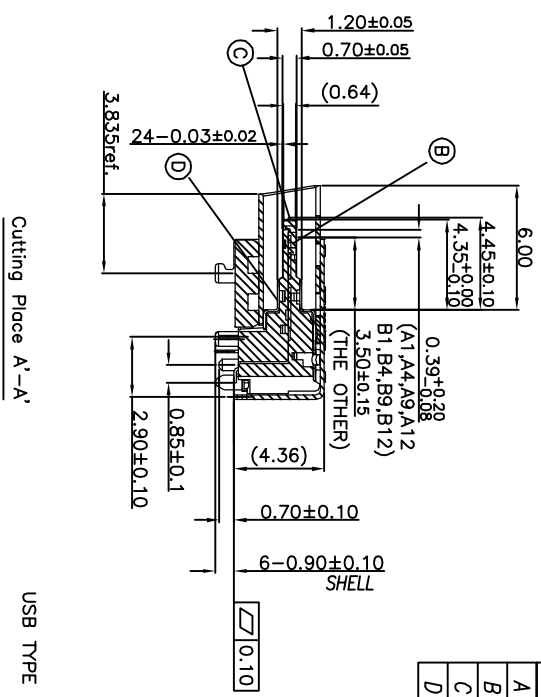
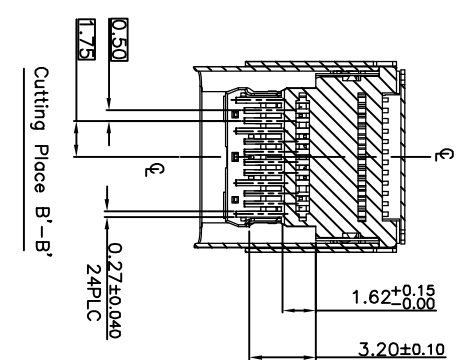


NO	DESCRIPTION	QTY	MATERIAL	PLATING & COLOR
I	SMT CONTACTS	12	NKC4419, T=0.12	50um Min. Ni UNDERPLATED OVERALL Au30u* Min. PLATED ON CONTACT AREA, G/F PLATED ON SOLDER AREA
H	DIP CONTACTS	12	NKC4419, T=0.12	50um Min. Ni UNDERPLATED OVERALL Au30u* Min. PLATED ON CONTACT AREA, G/F PLATED ON SOLDER AREA
G	COVER	1	PA9T-GP2450	BLACK
F	TOP SHELL	1	SUS304-1/2H, T=0.20	Welding board foot position MATT. SN 50u" MIN. Others NI 60u" MIN
E	SHELL	1	SUS304-1/2H, T=0.20	Weldable Nickel 60-120u"
D	MATE GROUND	1	SUS304-1/2H, T=0.10	N/A
C	MID GROUND	1	SUS301-EH, T=0.15	N/A
B	MOLDING-1	1	LCPE6808-UFN	BLACK
A	MOLDING-2	1	LCPE6808-UFN	BLACK

UNLESS OTHERWISE SPECIFIED TOLERANCES		 Singatron Enterprise Co., Ltd. 信音企業股份有限公司	
DECIMALS:	ANGLES:	TITLE	USB TYPE -C FULL FEATURE CONN. TOP-MOUNT RECEPTACLE HYBRID TH AND SMT RIGHT ANGLE
X : ±0.5	X : ±2°	DWN	Edi.Zhou PART NO: 2UB3C01-005111F
XX : ±0.3	XX : ±1°	CHKD	Boye SCALE:1:1 UNIT: mm
XXX : ±0.2		APVD	Boye SIZE: A3 SHEET:1 OF 2 REV:D
CUSTOMMER COPY			



REV.	ECN NO OR DESCRIPTION	REVISED	DATE
A	PDR NO.:150216-1A	Edi.Zhou	2016.06.17
B	ECN NO.: S160832-Q/S160838-P	Edi.Zhou	2016.09.26
C	ECN NO.:S161241-P	Edi.Zhou	2017.03.14
D	ECR NO.:S170820-0	Edi.Zhou	2017.11.07



USB TYPE-C PIN ASSIGNMENTS:

NO.	PIN NUMBER	SIGNAL NAME	NO.	PIN NUMBER	SIGNAL NAME
1	A1	GND	13	B12	GND
2	A2	SSTxp1	14	B11	SSRXp1
3	A3	SSTxn1	15	B10	SSRXn1
4	A4	VBUS	16	B9	VBUS
5	A5	CC1	17	B8	RFU2
6	A6	Dp1	18	B7	Dn2
7	A7	Dn1	19	B6	Dp2
8	A8	RFU1	20	B5	CC2
9	A9	VBUS	21	B4	VBUS
10	A10	SSRXn2	22	B3	SSTxn2
11	A11	SSRXp2	23	B2	SSTxp2
12	A12	GND	24	B1	GND

RECOMMENDED P.C.B LAYOUT(TOP VIEW)
TOLERANCE=±0.05(THK:1.0mm)

DETAIL A'

NO	DESCRIPTION	QTY	MATERIAL	PLATING & COLOR
UNLESS OTHERWISE SPECIFIED TOLERANCES				
Singatron Enterprise Co., Ltd. 信音企業股份有限公司				

TITLE	USB TYPE - C FULL FEATURE CONN.
DWN	TOP-MOUNT RECEPTACLE HERBID TIE AND SMP RIGHT ANGLE
CHKD	Edi.Zhou
APVD	Boye
PART NO.: 2UB3C01-005111F	
SCALE:1:1	
UNIT: mm	
SIZE: A3	
SHEET:2 OF 2	
REV:D	
CUSTOMER COPY	