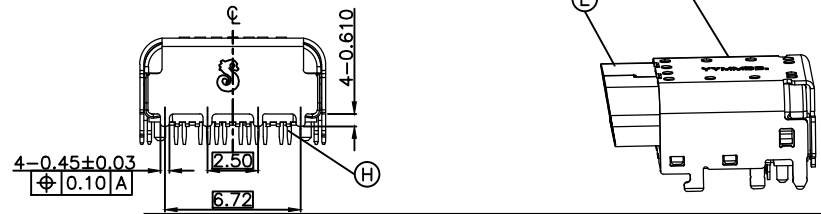
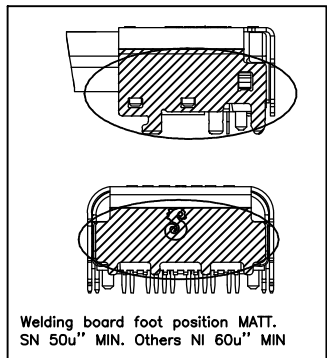


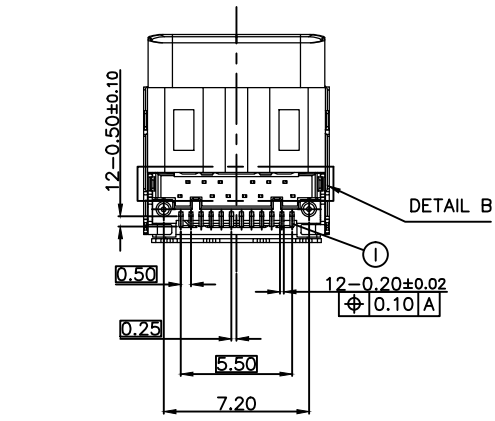
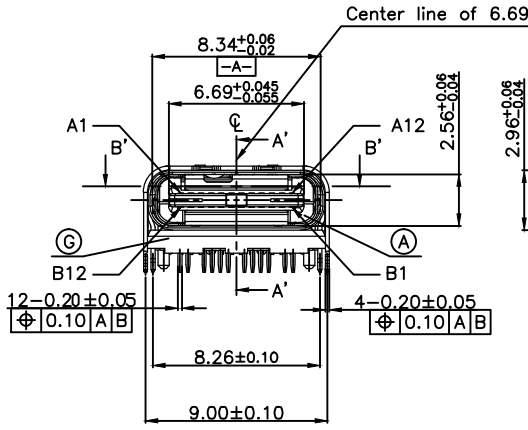
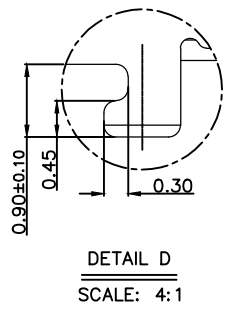
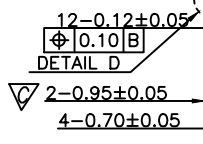
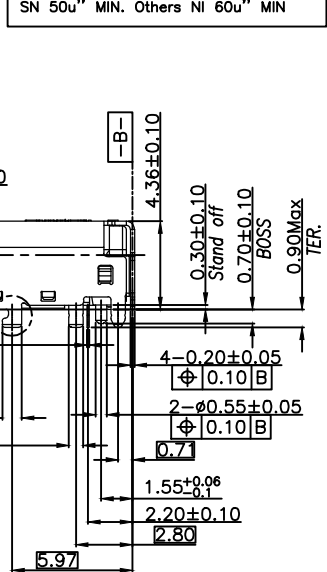
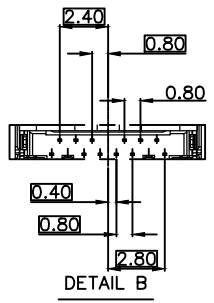
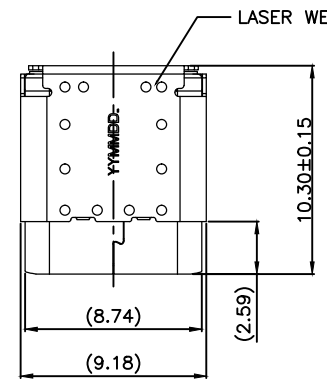
REV.	ECN NO OR DESCRIPTION	REVISED	DATE
A	PDR NO.:T170823-3A	Edi.Zhou	2017.09.01

- SPECIFICATIONS:
- ELECTRICAL CHARACTERISTICS:
 - LLCR:
 - VBUS & GND PINS: 40mΩ /PIN MAX.
 - OTHER PINS: 40mΩ /PIN MAX.
 - LLCR MAX. CHANGE OF ALL PINS: 10mΩ.
 - CURRENT RATING: 3.0 A Max.
 - VOLTAGE RATING: 5.0 V.
 - INSULATION RESISTANCE: 100MΩ MIN.
 - ENVIRONMENTAL PERFORMANCE:
 - OPERATING TEMPERATURE: -55°C~+85°C.
 - MECHANICAL CHARACTERISTICS:
 - MATING FORCE : 0.5-2.0 Kgf.
 - UNMATING FORCE : 0.8-2.0 Kgf.
 - LIFE TEST: 10000 CYCLES MIN.
 - TO CONFORM TO SINGATRON HAZARDOUS SUBSTANCE FREE SPEC.
 - HALOGEN FREE PRODUCT IDENTIFICATION MARK ON JACK:
 - HALOGEN FREE PRODUCT IDENTIFICATION LABEL ON PACKAGING:
 - FOR REFLOW SOLDERING LEAD-FREE PROCESS.

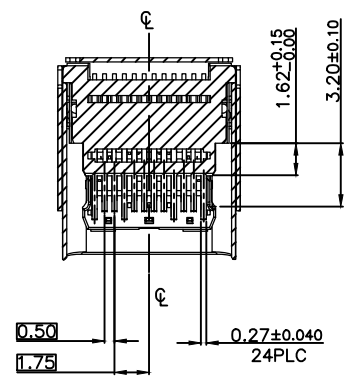


I	SMT CONTACTS	12	NKC4419, T=0.12	50μm Min. Ni UNDERPLATED OVERALL Au30u'' Min. PLATED ON CONTACT AREA G/F PLATED ON SOLDER AREA
H	DIP CONTACTS	12	NKC4419, T=0.12	50μm Min. Ni UNDERPLATED OVERALL Au30u'' Min. PLATED ON CONTACT AREA G/F PLATED ON SOLDER AREA
G	COVER	1	PA9T-GP2450	BLACK
F	TOP SHELL	1	SUS304-1/2H,T=0.20	Welding board foot position MATT. SN 50u'' MIN. Others NI 60u'' MIN
E	SHELL	1	SUS304-1/2H,T=0.20	Weldable Nickel 60-120u''
D	MATE GROUND	1	SUS304-1/2H,T=0.10	N/A
C	MID GROUND	1	SUS301-EH,T=0.15	N/A
B	MOLDING-1	1	LCPE6808-UFN	BLACK
A	MOLDING-2	1	LCPE6808-UFN	BLACK
NO	DESCRIPTION	QTY	MATERIAL	PLATING & COLOR

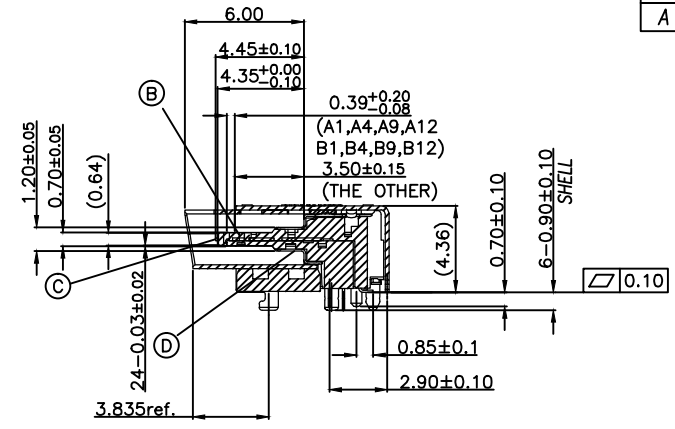
UNLESS OTHERWISE SPECIFIED TOLERANCES		Singatron Enterprise Co., Ltd. 信音企業股份有限公司	
DECIMALS:	ANGLES:	TITLE: USB TYPE -C FULL FEATURE CONN.	
X :±0.5	X :±2°	DWN: Edi.Zhou	PART NO: 2UB3C01-029111F FOR INVENTEC
X.X :±0.3	X.X :±1°	CHKD: Boye	SCALE:1:1 UNIT: mm
X.XX :±0.2		APVD: Boye	SIZE: A3 SHEET:1 OF 2 REV:A
CUSTOMMER COPY			



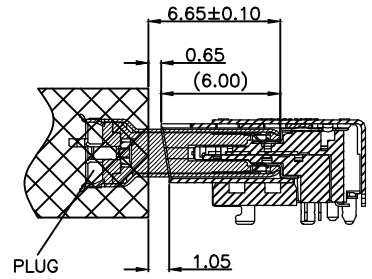
REV.	ECN NO OR DESCRIPTION	REVISED	DATE
A	PDR NO.:T170823-3A	Edi.Zhou	2017.09.01



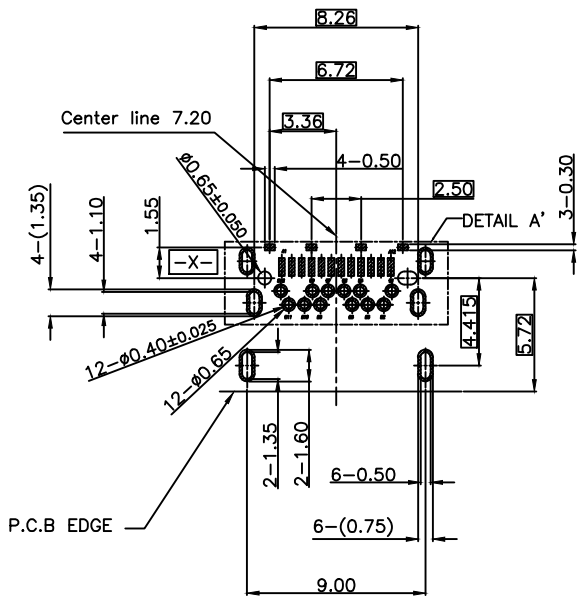
Cutting Place B'-B'



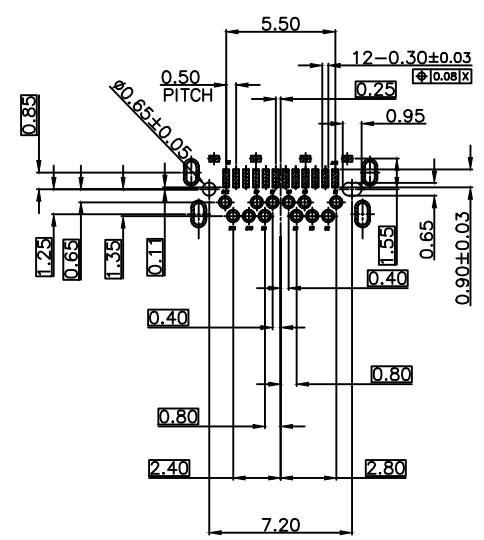
Cutting Place A'-A'



MATING DRAWING



RECOMMENDED P.C.B LAYOUT(TOP VIEW)
TOLERANCE=±0.05(THK:1.0mm)



DETAIL A'

USB TYP-C PIN ASSIGNMENTS:

NO.	PIN NUMBER	SIGNAL NAME	NO.	PIN NUMBER	SIGNAL NAME
1	A1	GND	13	B12	GND
2	A2	SSTxp1	14	B11	SSRxp1
3	A3	SSTxn1	15	B10	SSRxn1
4	A4	VBUS	16	B9	VBUS
5	A5	CC1	17	B8	RFU2
6	A6	Dp1	18	B7	Dn2
7	A7	Dn1	19	B6	Dp2
8	A8	RFU1	20	B5	CC2
9	A9	VBUS	21	B4	VBUS
10	A10	SSRxn2	22	B3	SSTxn2
11	A11	SSRxp2	23	B2	SSTxp2
12	A12	GND	24	B1	GND

NO	DESCRIPTION	QTY	MATERIAL	PLATING & COLOR
UNLESS OTHERWISE SPECIFIED TOLERANCES				
Singatron Enterprise Co., Ltd. 信音企業股份有限公司				
USB TYPE -C FULL FEATURE CONN. TOP-MOUNT RECEPTACLE HYBRID TH AND SMT RIGHT ANGLE				
TITLE PART NO: 2UB3C01-029111F				
DWN	Edi.Zhou	SCALE:1:1	UNIT: mm	REV:A
CHKD	Boye	SIZE: A3	SHEET:2 OF 2	
APVD	Boye			
CUSTOMMER COPY				