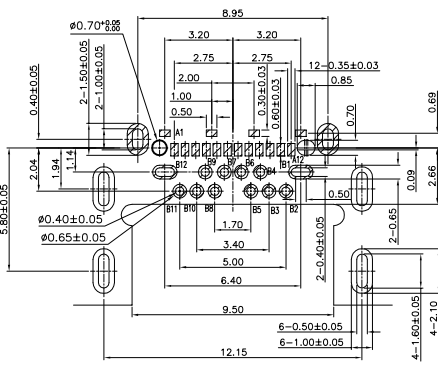
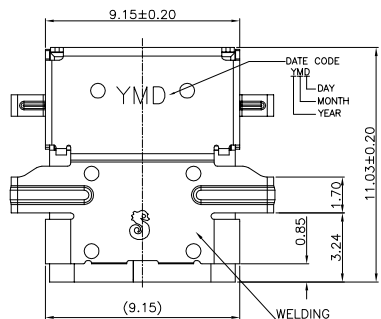
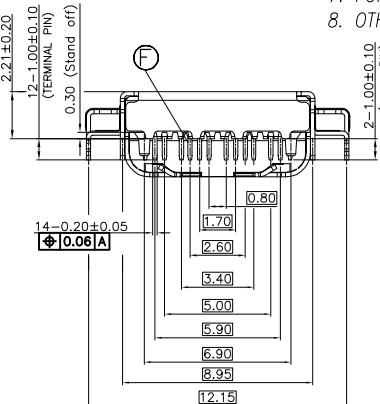
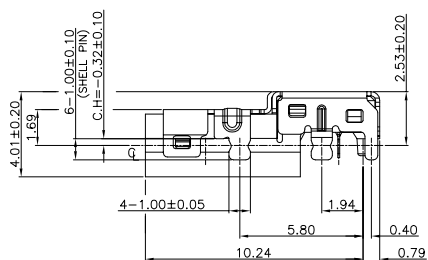
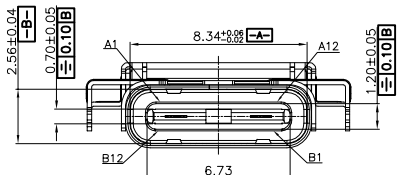


REV.	ECN NO OR DESCRIPTION	REVISED	DATE
A	PDR RELEASE	IVY-C	2017.01.09



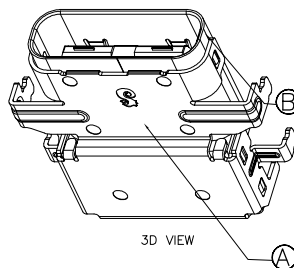
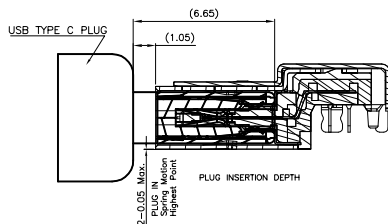
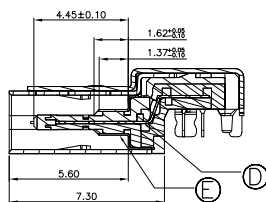
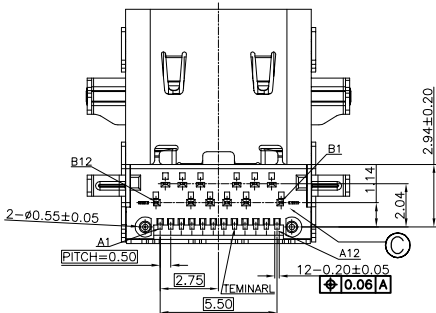
SPECIFICATIONS:

- ELECTRICAL CHARACTERISTICS:
 - CURRENT RATING: 5.0A
 - VOLTAGE RATING: 20.0 V
 - LLCR: VBUS& GND PINS: 40mΩ/PIN MAX
OTHER PINS : 40mΩ/PIN MAX
LLCR MAX. CHANGE OF ALL PINS: 10mΩ
- INSULATION RESISTANCE: 100MΩ MIN
- MECHANICAL CHARACTERISTICS:
 - INSERTION FORCE: 0.5~2.0kg.
 - WITHDRAWAL FORCE: 0.8~2.0kg.(INITIAL 1000 CYCLES) 0.6~2.0kg.(AFTER LIFE TEST)
- DURABILITY: 10,000 CYCLES.
- TO CONFORM TO THE SINGATRON HAZARDOUS SUBSTANCE FREE SPEC.
- HALOGEN FREE PRODUCT IDENTIFICATION LABEL ON PACKAGING:
- PACKAGE: SEE "2UB3C02-000111F" PACKAGE.
- FOR REFLOW SOLDERING LEAD-FREE PROCESS.
- OTHER GENERAL SPEC. TO REFER "2UB3C02-000111F SPEC".



PART NO.
2UB3C02-000111F

- SUFFIX: HALOGEN FREE
- PACKAGE
1: TAPE & REEL
- HOUSING COLOR
1: BLACK
- CONTACT PLATING
1: 30u" Au PLATING ON MATING AREA,
MATTE Sn 60~150u" ON SOLDERING AREA,
80~150u" NICKEL UNDER PLATING OVERALL



G	INK			BLACK
F	TERMINAL	24	COPPER ALLOY	SEE PART NO.
E	RFI PAD	2	STAINLESS STEEL	NICKEL
D	SIGNAL	1	STAINLESS STEEL	NICKEL
C	HOUSING	1	LCP UL 94V-0	BLACK
B	INNER SHELL	1	STAINLESS STEEL	NICKEL
A	OUTSIDE SHELL	1	STAINLESS STEEL	NICKEL
NO	DESCRIPTION	QTY	MATERIAL	PLATING & COLOR

UNLESS OTHERWISE SPECIFIED TOLERANCES

Singatron Enterprise Co., Ltd.
信音企業股份有限公司

DECIMALS:	ANGLES:	TITLE	USB TYPE C , Mid-mount(CH=-0.32mm)	
X :±0.5	X :±2°	DWN	IVY-C 2017.01.09	PART NO. 2UB3C02-000111F
XX :±0.3	XX :±1°	CHKD	ANGELA2017.01.09	SCALE 1:1 UNIT: mm
XX.XX :±0.2		APVD	ANGELA2017.01.09	SIZE: A3 SHEET:1 OF 1 REV: A

CUSTOMER COPY