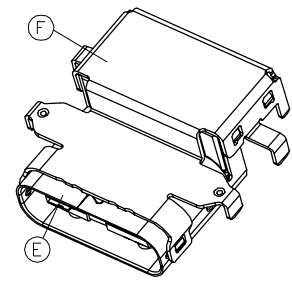
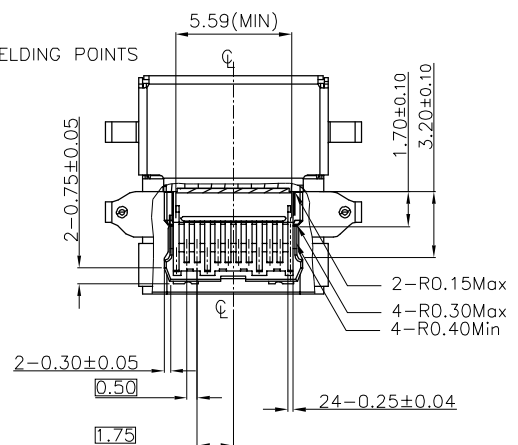
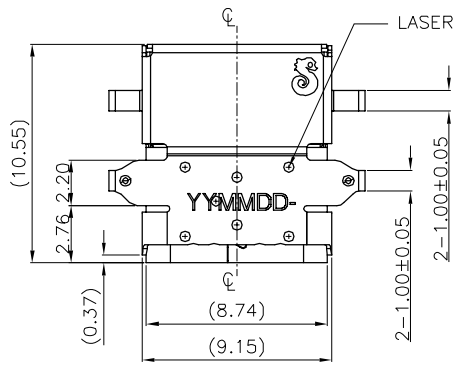
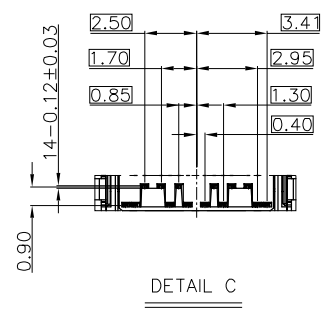
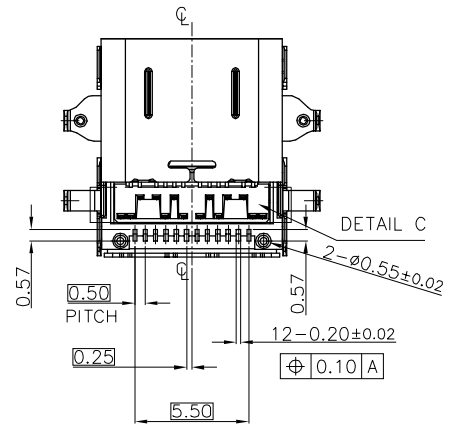
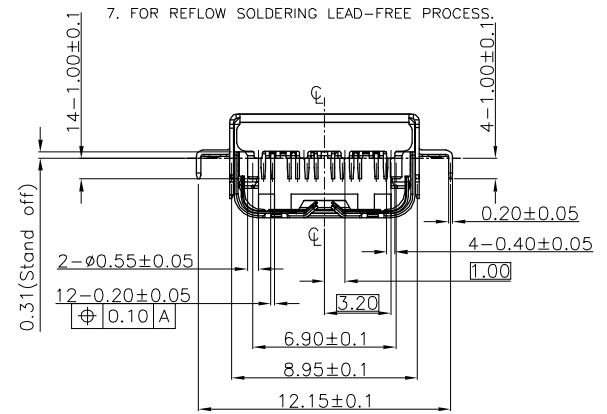
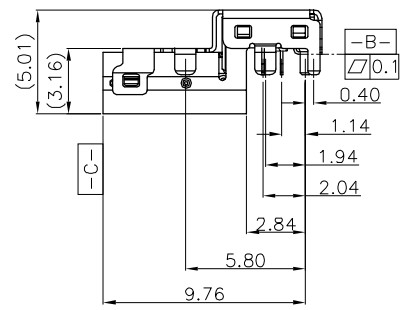
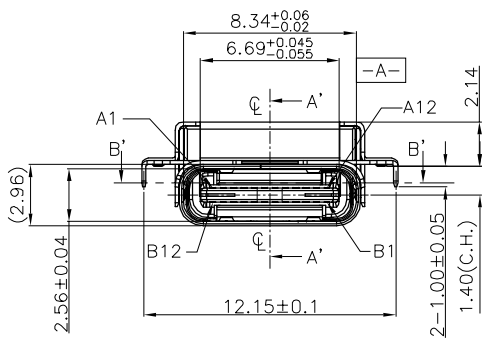


REV.	ECN NO OR DESCRIPTION	REVISED	DATE
A	PDR NO:T181026-1A	Edi.Zhou	2019.12.16

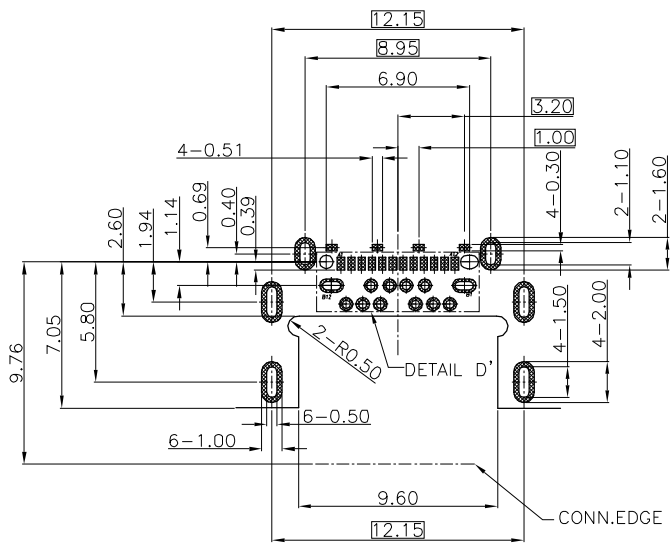


- SPECIFICATIONS:
- ELECTRICAL CHARACTERISTICS:
 - LLCR:
 - VBUS & GND PINS&OTHER PINS: 40mΩ MAX
 - AFTER ENVIRONMENT TEST: 50mΩ MAX.
 - CURRENT RATING: 5.0 A Max.
 - VOLTAGE RATING: 20 V.
 - INSULATION RESISTANCE: 100MΩ MIN.
 - WITHSTANDING VOLTAGE:100 V AC
 - ENVIRONMENTAL PERFORMANCE:
 - OPERATING TEMPERATURE: -55°C~+85°C.
 - MECHANICAL CHARACTERISTICS:
 - MATING FORCE : 0.5-2.0 Kgf.
 - UNMATING FORCE : 0.8-2.0 Kgf.(0~1000CYCLE),0.6-2.0Kgf(After that)
 - LIFE TEST: 10000 CYCLES MIN.
 - TO CONFORM TO SINGATRON HAZARDOUS SUBSTANCE FREE SPEC.
 - HALOGEN FREE PRODUCT IDENTIFICATION MARK ON JACK:
 - HALOGEN FREE PRODUCT IDENTIFICATION LABEL ON PACKAGING:
 - FOR REFLOW SOLDERING LEAD-FREE PROCESS.

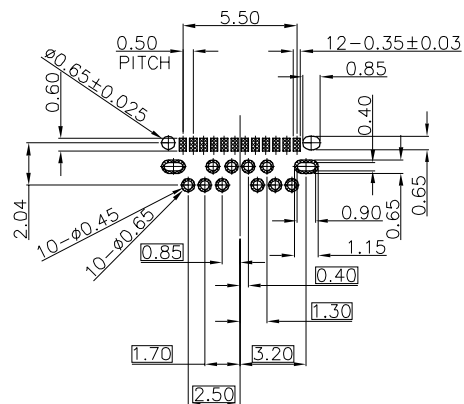


F	TOP SHELL	1	SUS304-1/2H,T=0.20	NICKEL 60u"MIN
E	SHELL	1	SUS304-1/2H,T=0.20	NICKEL 60u"MIN
D	MATE GROUND	1	SUS304-1/2H,T=0.10	N/A
C	MID GROUND	1	SUS301-EH,T=0.12	NICKEL 60u"MIN
B	CONTACT	24	C7035,T=0.12	Au 30um PLATED ON CONTACT AREA, Matl. Sn 100um Min,PLATED ON SOLDERING 80um NICKEL UNDER PLATING OVERALL
A	BODY	1	LCP 6808U UL94-V0	BLACK
NO	DESCRIPTION	QTY	MATERIAL	PLATING & COLOR
UNLESS OTHERWISE SPECIFIED TOLERANCES			Singatron Enterprise Co., Ltd. 信音企業股份有限公司	
DECIMALS: ANGLES:		TITLE		
X :±0.5 X :±2°		USB TYPE -C MID-MOUNT(C.H.--1.40)		
X.X :±0.3 X.X :±1°		DWN	Chensong	PART NO: 2UB3C02-008111F
X.XX :±0.2		CHKD	Edi.Zhou	SCALE:4:1 UNIT: mm
		APVD	Boye	SIZE: A3 SHEET:1 OF 2 REV:A
CUSTOMER COPY				

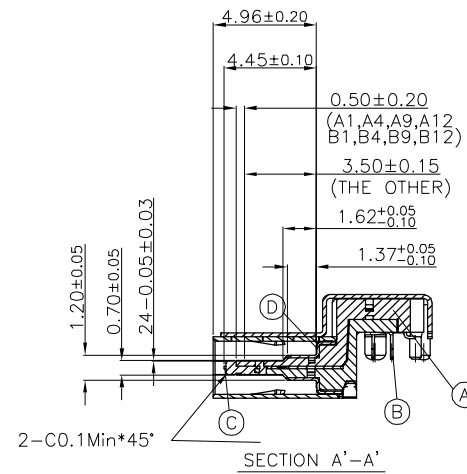
REV.	ECN NO OR DESCRIPTION	REVISED	DATE
A	PDR NO:T181026-1A	Edi.Zhou	2019.12.16



RECOMMENDED P.C.B LAYOUT(TOP VIEW)
TOLERANCE=±0.05(THK: 1.6mm)

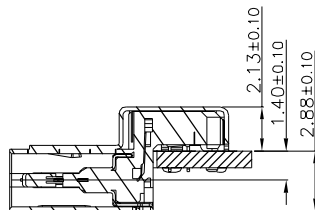
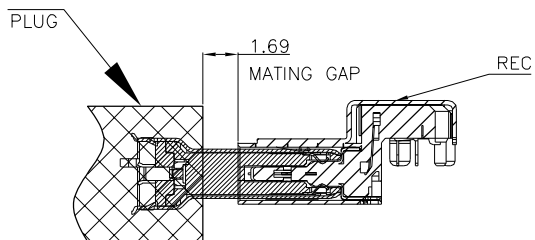


DETAIL D'



SECTION A'-A'

NO.	PIN NUMBER	SIGNAL NAME	NO.	PIN NUMBER	SIGNAL NAME
1	A1	GND	13	B12	GND
2	A2	SSTXp1	14	B11	SSRXp1
3	A3	SSTXn1	15	B10	SSRXn1
4	A4	VBUS	16	B9	VBUS
5	A5	CC1	17	B8	RFU2
6	A6	Dp1	18	B7	Dn2
7	A7	Dn1	19	B6	Dp2
8	A8	RFU1	20	B5	CC2
9	A9	VBUS	21	B4	VBUS
10	A10	SSRXn2	22	B3	SSTXn2
11	A11	SSRXp2	23	B2	SSTXp2
12	A12	GND	24	B1	GND



NO.	DESCRIPTION	QTY.	MATERIAL	PLATING & COLOR
UNLESS OTHERWISE SPECIFIED TOLERANCES			Singatron Enterprise Co., Ltd. 信音企業股份有限公司	
DECIMALS:	ANGLES:	TITLE	USB TYPE -C MID-MOUNT(C.H.=1.40)	
X :±0.5	X :±2°	DWN	Chensong	PART NO: 2UB3C02-008111F
X.X :±0.3	X.X :±1°	CHKD	Edi.Zhou	SCALE:4:1 UNIT: mm
X.XX :±0.2		APVD	Boye	SIZE: A3 SHEET:2 OF 2 REV:A
CUSTOMER COPY				