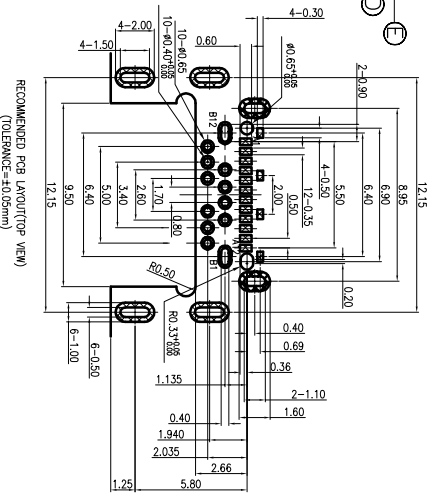
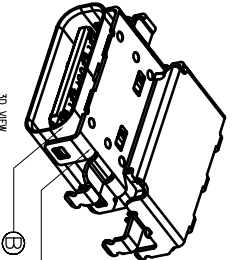
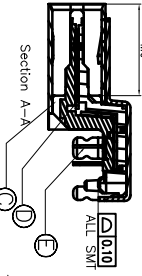
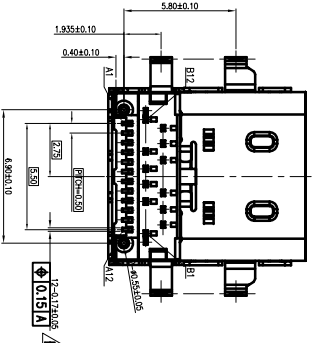
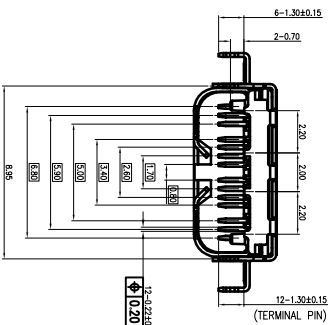
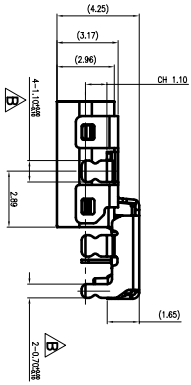
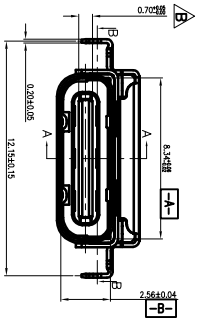
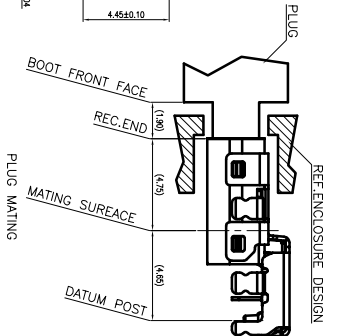
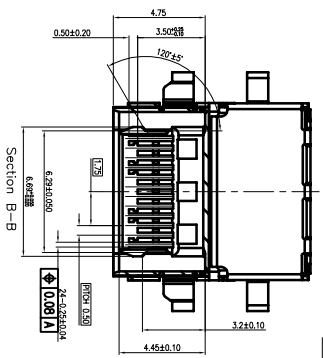
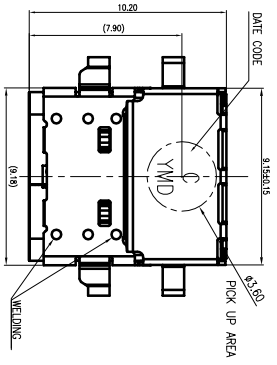


REV.	ECN NO.	OR DESCRIPTION	REVISED	DATE
A	PDR	RELEASE	Even	2019.03.19
B	ECN NO: L2019120003	IVY-C		2020.04.16

SPECIFICATIONS:

- ELECTRICAL CHARACTERISTICS:
 - CURRENT RATING: 5.0A
 - VOLTAGE RATING: 20.0 V
 - LCR: VBUS& GND PINS: 40mΩ/PIN MAX
- MECHANICAL CHARACTERISTICS:
 - INSERTION FORCE: 0.5~2.0kg
 - WITHDRAWAL FORCE: 0.8~2.0kg (INITIAL) 0.6~2.0kg (AFTER LIFE TEST)
 - DURABILITY: 10,000 CYCLES.
 - TO CONFORM TO THE SINGATRON HAZARDOUS SUBSTANCE FREE SPEC.
 - HALOGEN FREE PRODUCT IDENTIFICATION LABEL ON PACKAGING.
 - PACKAGE: SEE "2UB3C02-212111F" PACKAGE.
 - FOR REFLOW SOLDERING LEAD-FREE PROCESS.
 - OTHER GENERAL SPEC. TO REFER "2UB3C02-212111F SPEC".



PART NO.
2UB3C02-212111F

- SUFFIX: HALOGEN FREE
- PACKAGE: 1: TAPE & REEL
- HOUSING COLOR: 1: BLACK
- CONTACT PLATING
- 1: 30μ" Au PLATING ON MATING AREA.
- COLD FLASH ON SOLDERING AREA
- 50μ" MIN. NICKEL UNDER PLATING OVERALL

E	TERMINAL	24 C19400R-H	SEE PART NO.
D	SIGNAL	1 SUS 301	NICKEL PLATED 50μ"MIN.
C	HOUSING	1 PA9T UL 94V-0	BLACK
B	INNER SHELL	1 SUS 301	NICKEL PLATED 50μ"MIN.
A	OUTSIDE SHELL	1 SUS 301	NICKEL PLATED 50μ"MIN.
NO	DESCRIPTION	1 SUS 301	NICKEL PLATED 50μ"MIN.
	UNLESS OTHERWISE SPECIFIED TOLERANCES		
	DECIMALS:	ANGLES:	
	X : ±0.5	X : ±2°	
	X.X : ±0.3	X.X : ±1°	
	X.XX : ±0.2		
	TITLE	USB TYPE C, Mid-mount(CH=1.10mm) C2	
	DWN	IPC-C 2020.04.16	PART NO. 2UB3C02-212111F
	CHKD	ANCE120204.16	SCALE 1:1
	APVD	ANCE120204.16	SIZE: A3
			SHEET: 1 OF 1
			REV: B
			CUSTOMER COPY

Singatron Enterprise Co., Ltd.
信登企業股份有限公司