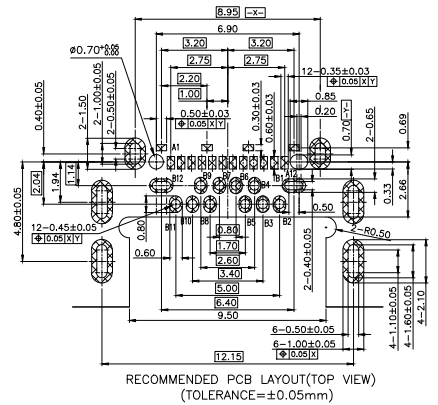
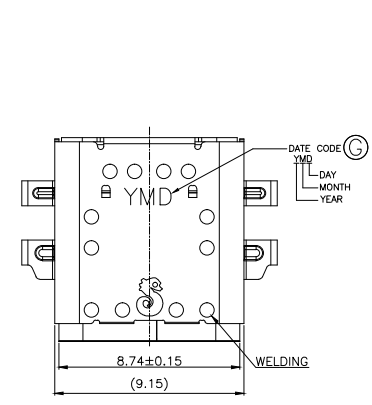
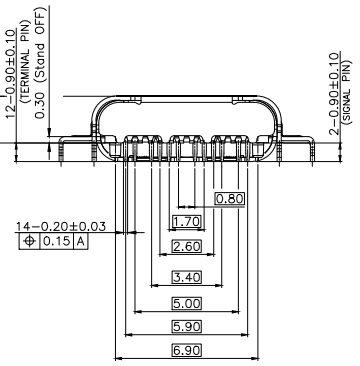
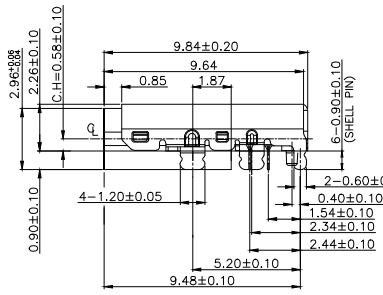
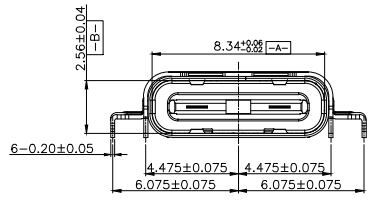


| | | | |
|------|-----------------------|---------|------------|
| REV. | ECN NO OR DESCRIPTION | REVISED | DATE |
| A | PDR RELEASE | EVEN | 2022.12.27 |

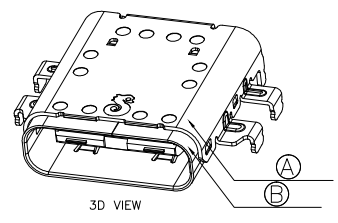
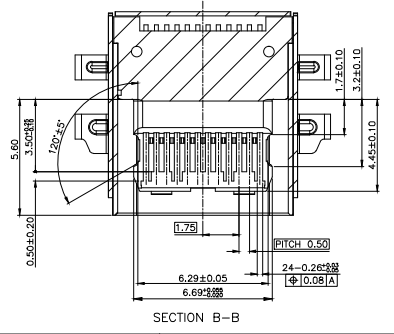
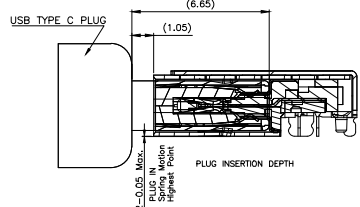
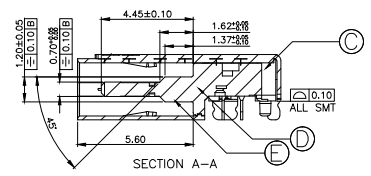
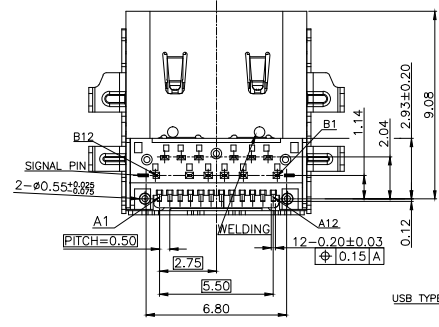


- SPECIFICATIONS:
- ELECTRICAL CHARACTERISTICS:
 - CURRENT RATING: 5.0A
 - VOLTAGE RATING: 20.0 V
 - LLCR: VBUS& GND PINS: 40mΩ/PIN MAX
 OTHER PINS : 40mΩ/PIN MAX
 LLCR MAX. CHANGE OF ALL PINS: 10mΩ
 - INSULATION RESISTANCE: 100MΩ MIN
 - MECHANICAL CHARACTERISTICS:
 - INSERTION FORCE: 0.5~2.0kg.
 - WITHDRAWAL FORCE: 1.4~2.0kg.(INITIAL: 30/CYCLES) 0.6~2.0kg.(AFTER LIFE TEST)
 - DURABILITY: 10,000 CYCLES.
 - TO CONFORM TO THE SINGATRON HAZARDOUS SUBSTANCE FREE SPEC.
 - HALOGEN FREE PRODUCT IDENTIFICATION LABEL ON PACKAGING:
 - PACKAGE: SEE "2UB3C03-00A111F" PACKAGE.
 - FOR REFLOW SOLDERING LEAD-FREE PROCESS.
 - OTHER GENERAL SPEC. TO REFER "2UB3C03-00A111F SPEC".



PART NO.
 2UB3C03-00A111F

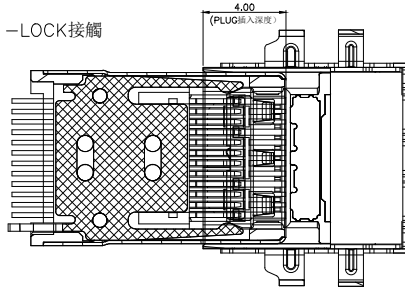
- SUFFIX: HALOGEN FREE
- PACKAGE
 1: TAPE & REEL
- HOUSING COLOR
 1: BLACK
- CONTACT PLATING
 1: 30u" Au ON MATING AREA,
 MATTE Sn 60u" MIN. ON SOLDERING AREA,
 50u" MIN. NICKEL UNDER PLATING OVERALL



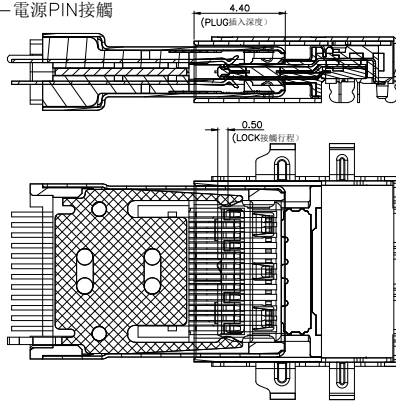
| | | | | |
|---------------------------------------|---------------|---|--------------|--|
| G | INK | | | BLACK |
| F | TERMINAL | 24 | C1940 | SEE PART NO. |
| E | RFI PAD | 2 | SUS301 | |
| D | SIGNAL | 1 | SUS301 | NICKEL PLATED 50u"MIN. |
| C | HOUSING | 1 | LCP UL 94V-0 | BLACK |
| B | INNER SHELL | 1 | SUS301 | NICKEL PLATED 50u"MIN. |
| A | OUTSIDE SHELL | 1 | SUS301 | MATTE Sn 50u"Min. ON SOLDERING AREA, 60u"MIN.NICKEL UNDERPLATED |
| NO | DESCRIPTION | QTY | MATERIAL | PLATING & COLOR |
| UNLESS OTHERWISE SPECIFIED TOLERANCES | | 信音科技(香港)有限公司 | | |
| DECIMALS: | | TITLE USB TYPE C , Mid-mount(CH=0.58mm) | | |
| X | :±0.5 | X | :±2° | DWN EVEN 2022.12.27 PART NO. 2UB3C03-00A111F |
| X.X | :±0.3 | X.X | :±1° | CHKD SCALE 1:1 UNIT: mm |
| X.XX | :±0.2 | APVD TERESA 2022.12.27 | SIZE: A3 | SHEET: 1 OF 2 REV:A |
| CUSTOMER COPY | | | | |

| REV. | ECN NO OR DESCRIPTION | REVISED | DATE |
|------|-----------------------|---------|------------|
| A | PDR RELEASE | EVEN | 2022.12.27 |

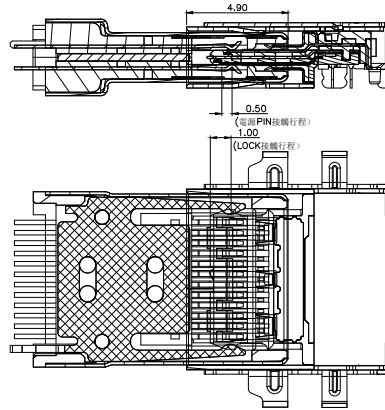
1—LOCK接觸



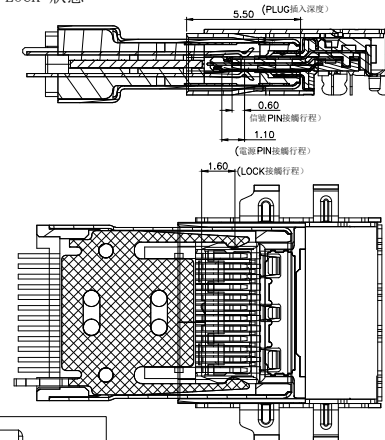
2—電源PIN接觸



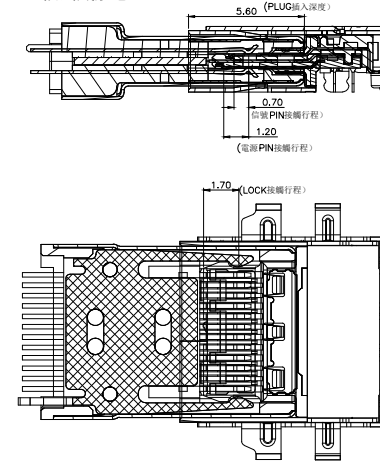
3—信號PIN&RF PAD接觸



4—LOCK 狀態

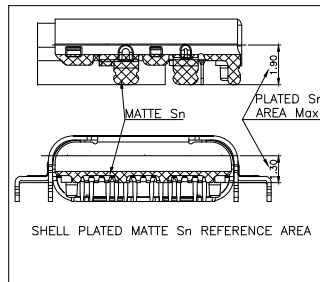


5—PLUG插到底狀態



USB TYPE-C PIN ASSIGNMENTS:

| | | | |
|-----|-------------|-----|-------------|
| A12 | GND | B1 | GND |
| A11 | SSRXp2 | B2 | SSTXp2 |
| A10 | SSRXn2 | B3 | SSTXn2 |
| A9 | VBUS | B4 | VBUS |
| A8 | SBU1 | B5 | CC2 |
| A7 | Dn1 | B6 | Dp2 |
| A6 | Dp1 | B7 | Dn2 |
| A5 | CC1 | B8 | SBU2 |
| A4 | VBUS | B9 | VBUS |
| A3 | SSTXn1 | B10 | SSRXn1 |
| A2 | SSTXp1 | B11 | SSRXp1 |
| A1 | GND | B12 | GND |
| PIN | SIGNAL NAME | PIN | SIGNAL NAME |



| NO | DESCRIPTION | QTY | MATERIAL | PLATING & COLOR |
|--|-------------------|--------------------------|---------------|---|
| UNLESS OTHERWISE SPECIFIED TOLERANCES | | 信音科技(香港)有限公司 | | |
| DECIMALS: X :±0.5 X.X :±0.3 X.XX :±0.2 | | ANGLES: X :±2° X.X :±1° | | TITLE USB TYPE C , Mid-mount(CH=0.58mm) |
| DWN | EVEN 2022.12.27 | PART NO. 2UB3C03-00A111F | | SCALE 1:1 UNIT: mm |
| CHKD | | SIZE: A3 | SHEET: 2 OF 2 | REV: A |
| APVD | TERESA 2022.12.27 | CUSTOMER COPY | | |