
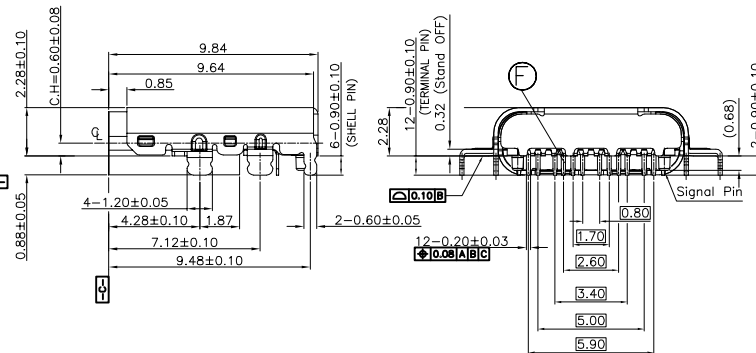
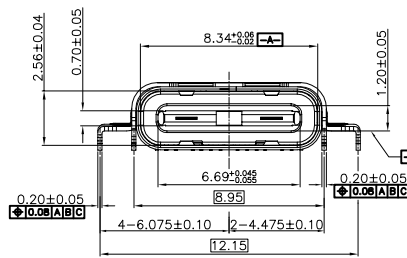
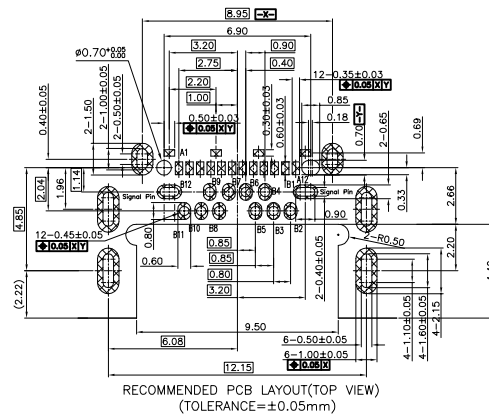
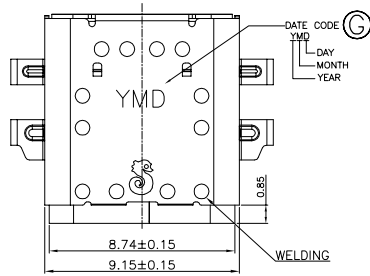


REV.	ECN NO OR DESCRIPTION	REVISED	DATE
A	PDR RELEASE	IVY-C	2016.08.03

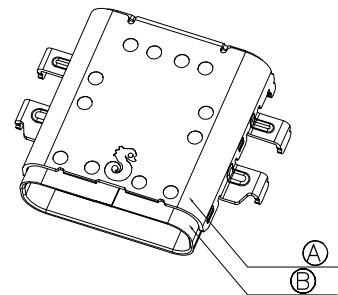
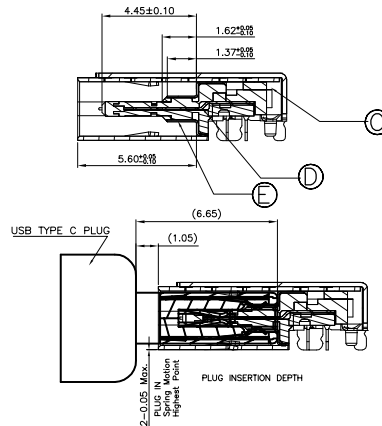
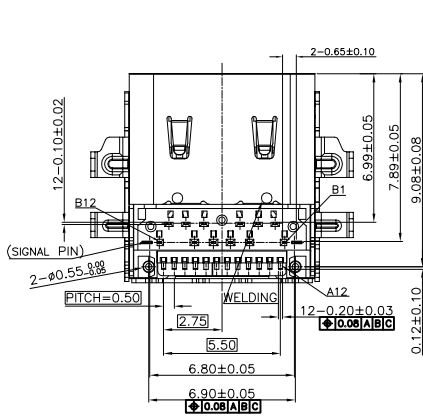
SPECIFICATIONS:

- ELECTRICAL CHARACTERISTICS:
 - CURRENT RATING: 5.0A
 - VOLTAGE RATING: 20.0 V
 - LLCR: VBUS& GND PINS: 40mΩ/PIN MAX
OTHER PINS : 40mΩ/PIN MAX
LLCR MAX. CHANGE OF ALL PINS: 10mΩ
 - INSULATION RESISTANCE: 100MΩ MIN
- MECHANICAL CHARACTERISTICS:
 - INSERTION FORCE: 0.5~2.0kg.
 - WITHDRAWAL FORCE: 0.8~2.0kg.(INITIAL 1000 CYCLES) 0.6~2.0kg.(AFTER LIFE TEST)
- DURABILITY: 10,000 CYCLES.
- TO CONFORM TO THE SINGATRON HAZARDOUS SUBSTANCE FREE SPEC.
- HALOGEN FREE PRODUCT IDENTIFICATION LABEL ON PACKAGING: 
- PACKAGE: SEE "2UB3C03-200X11F" PACKAGE.
- FOR REFLOW SOLDERING LEAD-FREE PROCESS.
- OTHER GENERAL SPEC. TO REFER "2UB3C03-200X11F SPEC".


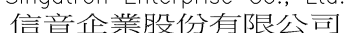


PART NO.
2UB3C03-200X11F

- 2: CH=0.60mm
- SUFFIX: HALOGEN FREE
- PACKAGE
1: TAPE & REEL
HOUSING COLOR
1: BLACK
CONTACT PLATING
- 1: 30u" Au ON MATING AREA,
MATTE Sn 60~150u" ON SOLDERING AREA,
80~150u" NICKEL UNDER PLATING OVERALL
- 2: GOLD FLASH ON MATING AREA,
MATTE Sn 60~150u" ON SOLDERING AREA,
80~150u" NICKEL UNDER PLATING OVERALL

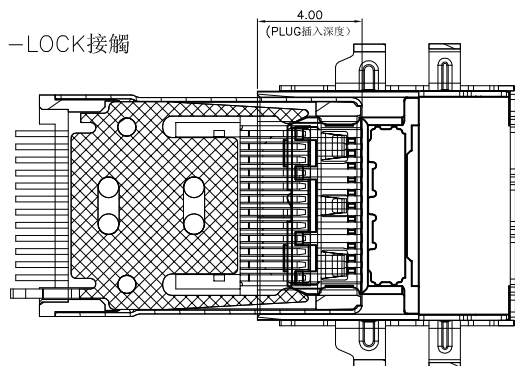


G	INK			BLACK
F	TERMINAL	24	C1940	SEE PART NO.
E	RFI PAD	2	SUS301	NICKEL
D	SIGNAL	1	SUS301	NICKEL
C	HOUSING	1	LCP UL 94V-0	BLACK
B	INNER SHELL	1	SUS301	NICKEL
A	OUTSIDE SHELL	1	SUS301	MATTE Sn 60~150u" ON SOLDERING AREA, NICKEL UNDERPLATED 50u" MIN.
NO	DESCRIPTION	QTY	MATERIAL	PLATING & COLOR

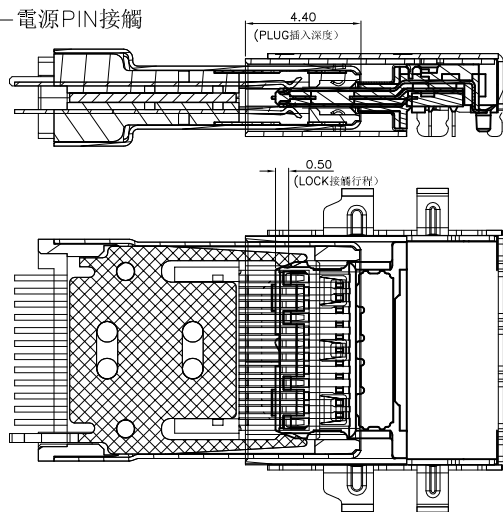
UNLESS OTHERWISE SPECIFIED TOLERANCES		 Singatron Enterprise Co., Ltd.  信音企業股份有限公司		
DECIMALS:	ANGLES:	TITLE	USB TYPE C , Mid-mount(CH=0.60mm)	
X : ±0.5	X : ±2°	DWN	IVY-C 2016.08.03	PART NO. 2UB3C03-200X11F
XX : ±0.3	XX : ±1°	CHKD	ANGELA2016.08.03	SCALE 1:1 UNIT: mm
XXX : ±0.2		APVD	ANGELA2016.08.03	SIZE: A3 SHEET: 1 OF 2 REV: A
CUSTOMER COPY				

REV.	ECN NO OR DESCRIPTION	REVISED	DATE
A	PDR RELEASE	IVY-C	2016.08.03

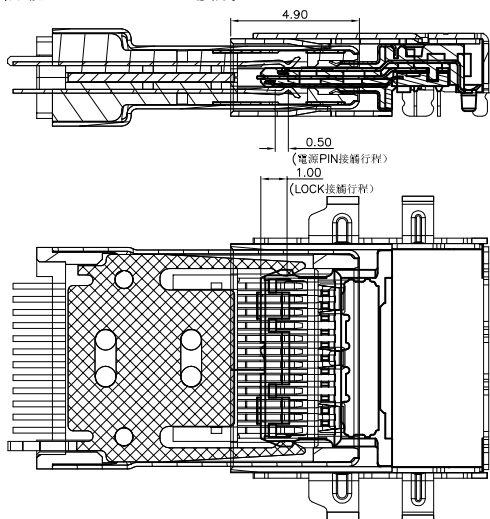
1-LOCK接觸



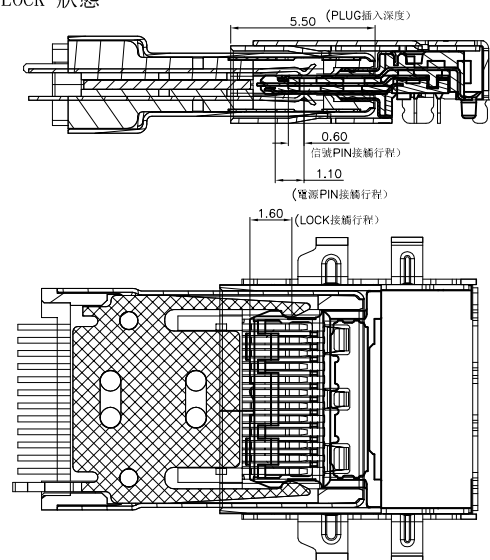
2-電源PIN接觸



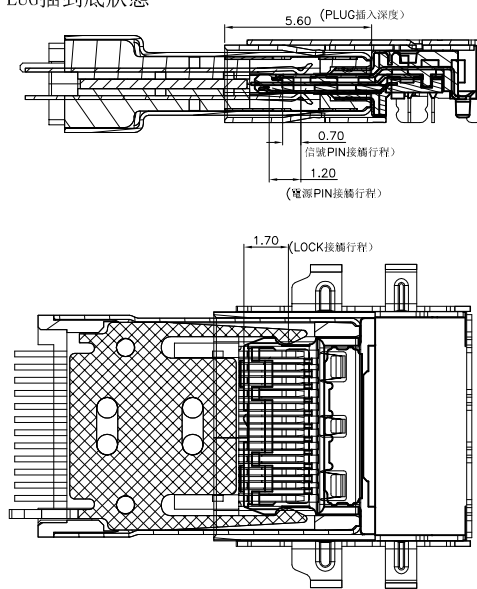
3-信號PIN&RF PAD接觸



4-LOCK 狀態



5-PLUG插到底狀態



NO	DESCRIPTION	QTY	MATERIAL	PLATING & COLOR
UNLESS OTHERWISE SPECIFIED TOLERANCES		Singatron Enterprise Co., Ltd. 信音企業股份有限公司		
DECIMALS:	ANGLES:	TITLE	USB TYPE C , Mid-mount(CH=0.60mm)	
X :±0.5	X :±2°	DWN	IVY-C 2016.08.03	PART NO. 2UB3C03-200X11F
X.X :±0.3	X.X :±1°	CHKD	ANGELA2016.08.03	SCALE 1:1 UNIT: mm
X.XX :±0.2		APVD	ANGELA2016.08.03	SIZE: A3 SHEET:2 OF 2 REV: A
CUSTOMER COPY				