

REV.	ECN NO OR DESCRIPTION	REVISED	DATE
A	PDR RELEASE	Even	2018.01.04

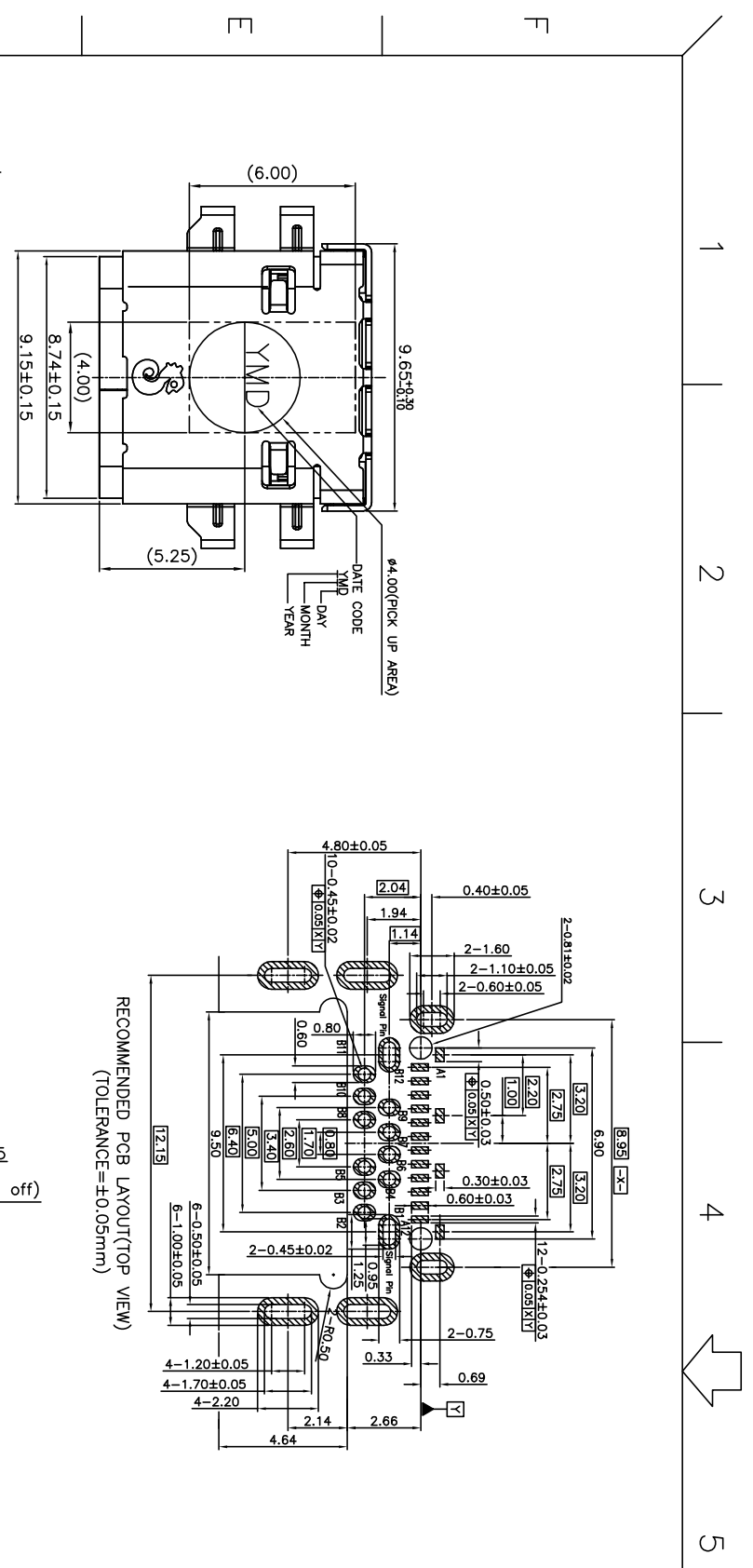
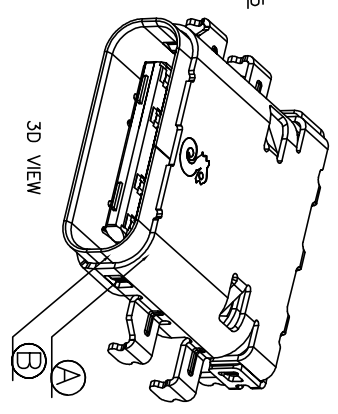
- SPECIFICATIONS:**
- ELECTRICAL CHARACTERISTICS:**
 - CURRENT RATING: 5.0A
 - VOLTAGE RATING: 20.0 V
 - LCR: VBUS& GND PINS: 40mΩ/PIN MAX
 - MECHANICAL CHARACTERISTICS:**
 - INSERTION FORCE: 0.5~2.0kg
 - WITHDRAWAL FORCE: 0.8~2.0kg (INITIAL 1000 CYCLES) 0.6~2.0kg (AFTER LIFE TEST)
 - DURABILITY:** 10,000 CYCLES.
 - TO CONFORM TO THE SINGATRON HAZARDOUS SUBSTANCE FREE SPEC.**
 - HALOGEN FREE PRODUCT IDENTIFICATION LABEL ON PACKAGING:**
 - PACKAGE:** SEE "2UB3C03-306211F" PACKAGE.
 - FOR REFLOW SOLDERING LEAD-FREE PROCESS.**
 - OTHER GENERAL SPEC. TO REFER "2UB3C03-306211F SPEC".**



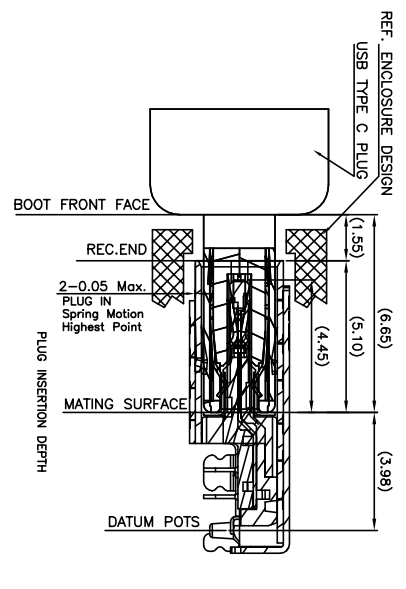
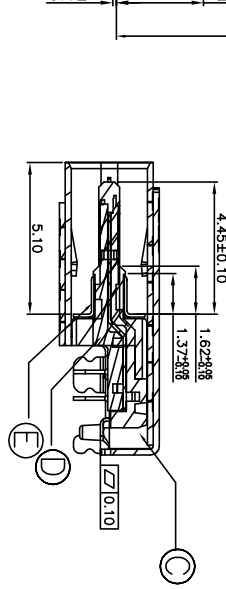
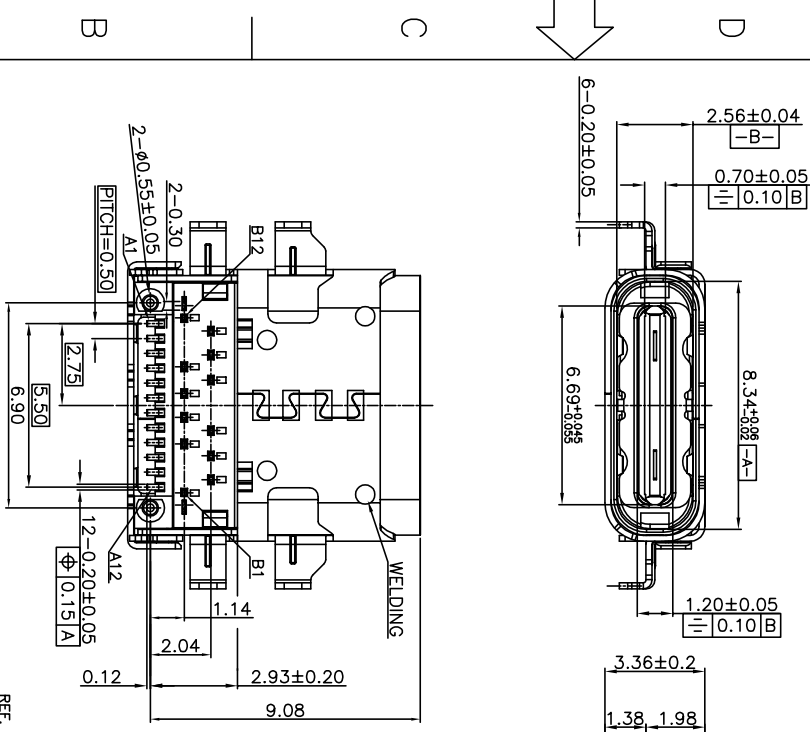
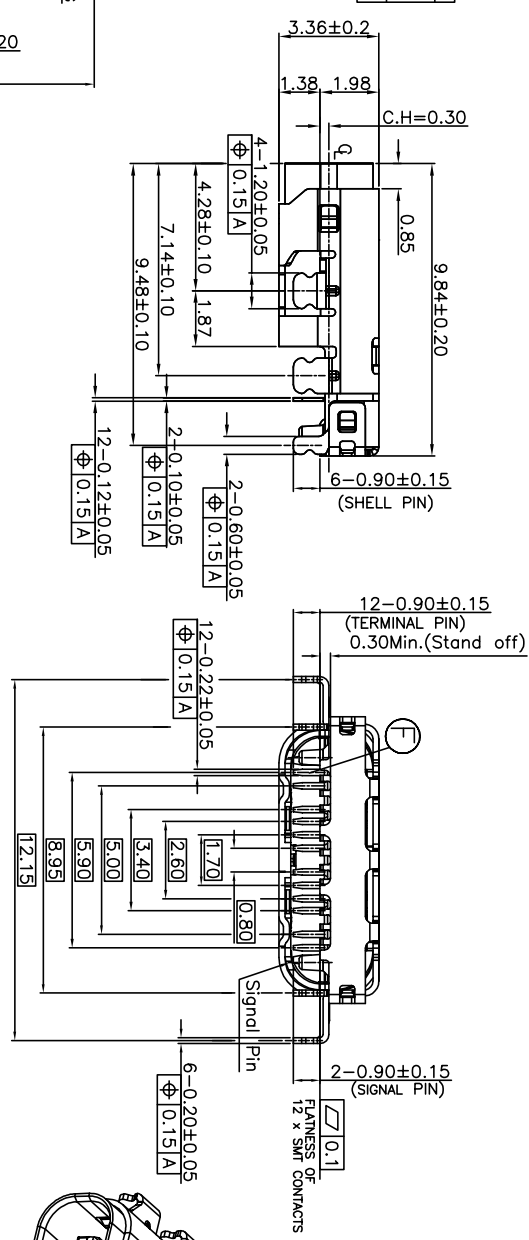
PART NO.
2UB3C03-306211F

- SUFFIX: HALOGEN FREE
- PACKAGE
- 1: TAPE & REEL
- HOUSING COLOR
- 1: BLACK
- CONTACT PLATING

- 2: GOLD FLASH ON MATING AREA, MATTE Sn 60~150u" ON SOLDERING AREA, 80~150u" NICKEL UNDER PLATING OVERALL



RECOMMENDED PCB LAYOUT(TOP VIEW)
(TOLERANCE=±0.05mm)



USB TYPE-C PIN ASSIGNMENTS:

PIN	SIGNAL NAME	PIN	SIGNAL NAME
A12	GND	B1	GND
A11	SSRXp2	B2	SSTXp2
A10	SSRXn2	B3	SSTXn2
A9	VBUS	B4	VBUS
A8	SBUS1	B5	CC2
A7	Dn1	B6	Dp2
A6	Dp1	B7	Dn2
A5	CC1	B8	SBUS2
A4	VBUS	B9	VBUS
A3	SSTXn1	B10	SSRXn1
A2	SSTXp1	B11	SSRXp1
A1	GND	B12	GND

TERMINAL	QTY	DESCRIPTION	MATERIAL	PLATING & COLOR
F	24	TERMINAL	C19400	SEE PART NO.
E	2	RFL PAD	SUS316	NICKEL
D	1	SIGNAL	SUS301	NICKEL
C	1	HOUSING	PA9T UL 94V-0	BLACK
B	1	INNER SHELL	SUS301	BLACK NICKEL
A	1	OUTSIDE SHELL	SUS301	NICKEL

Singatron Enterprise Co., Ltd.
信音企業股份有限公司

TITLE: USB TYPE C, Mid-mount(CH=0.30mm)

DWN	ENH 2018.01.04	PART NO.	2UB3C03-306211F
CHKD	ANGEL 2018.01.04	SCALE	1:1
APVD	ANGEL 2018.01.04	SIZE	A3
		SHEET	1 OF 1
		REV	A

CUSTOMER COPY