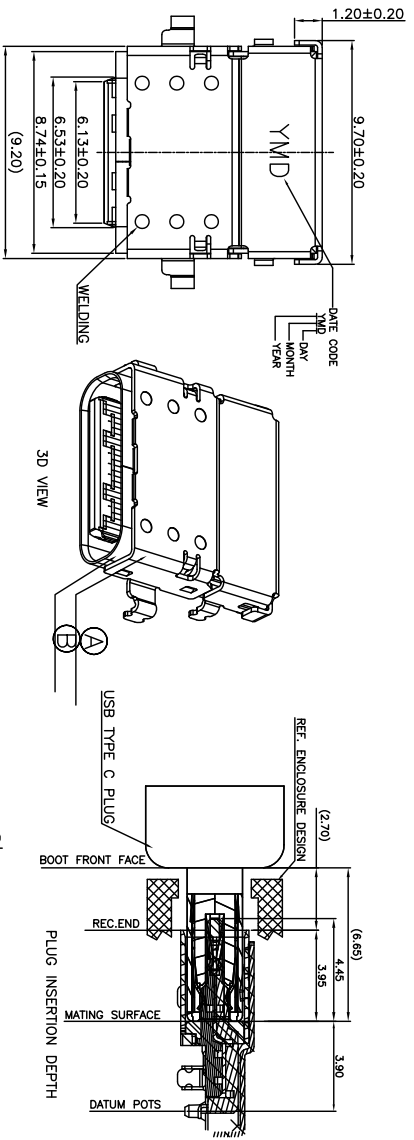
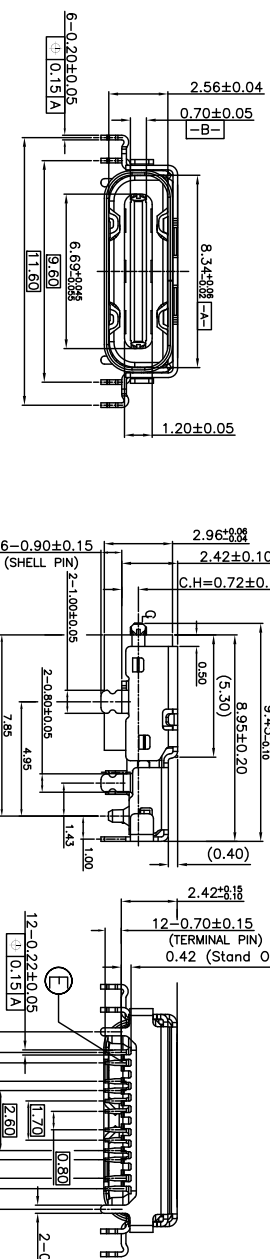


REV.	ECN NO.	OR DESCRIPTION	REVISED	DATE
A	PDR	RELEASE	EVEN	2019.11.01

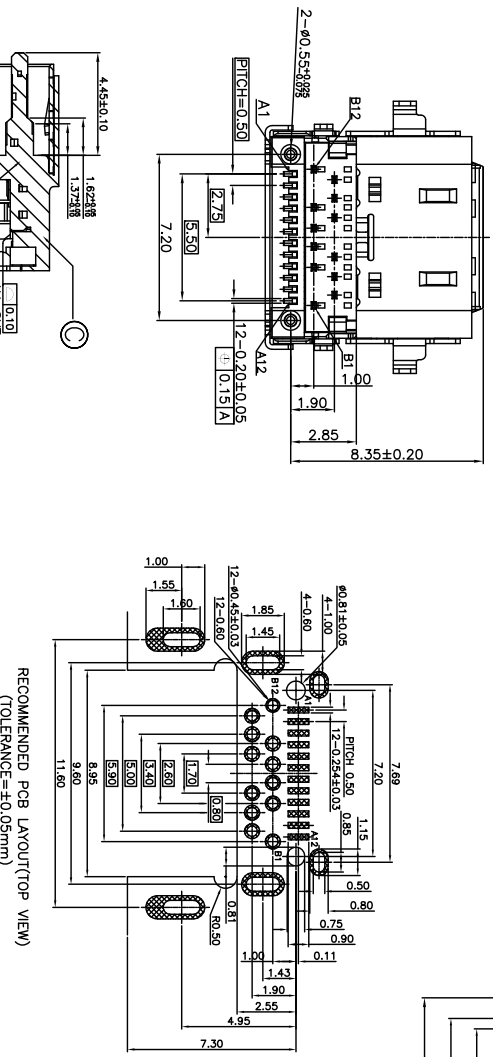


- SPECIFICATIONS:**
- ELECTRICAL CHARACTERISTICS:
 - CURRENT RATING: 5.0A
 - VOLTAGE RATING: 20.0 V
 - LCR: VBUS& GND PINS: 40mΩ/PIN MAX
 - OTHER PINS : 40mΩ/PIN MAX
 - LCR MAX: CHANGE OF ALL PINS: 10mΩ
 - INSULATION RESISTANCE: 100MΩ MIN
 - MECHANICAL CHARACTERISTICS:
 - INSERTION FORCE: 8N~24N (BEFORE LIFE) 5N~24N (CHECKPOINTS: Pre, 1000,2500,5000,10000/CYCLES)
 - WITHDRAWAL FORCE: 8N~24N (BEFORE LIFE) 5N~24N (CHECKPOINTS: Pre, 1000,2500,5000,10000/CYCLES)
 - DURABILITY: 10,000 CYCLES
 - TO CONFORM TO THE SINGATRON HAZARDOUS SUBSTANCE FREE SPEC.
 - HALOGEN FREE PRODUCT IDENTIFICATION LABEL ON PACKAGING:
 - PACKAGE: SEE "2UB3C03-400321F" PACKAGE.
 - FOR REFLOW SOLDERING LEAD-FREE PROCESS.
 - OTHER GENERAL SPEC. TO REFER "2UB3C03-400321F SPEC".



PART NO.
2UB3C03-400321F

- SUFFIX: HALOGEN FREE
- PACKAGE
- 1: TAPE & REEL
- HOUSING COLOR
- 2: MfgId Gray(G71006)
- CONTACT PLATING
- 3: 30u"Pd/Ni ON MATING AREA, MATTE Sn 60u" Min. ON SOLDERING AREA, 50u" Min. NICKEL UNDER PLATING OVERALL



NO	DESCRIPTION	QTY	MATERIAL	PLATING & COLOR
E	TERMINAL	24	C19400-H	SEE PART NO.
D	SIGNAL	1	SUS 301	NICKEL PLATED 50U"MIN.
C	HOUSING	1	PA46 UL 94V-0	MfgId Gray(G71006)
B	INNER SHELL	1	SUS 301	CHROMIUM
A	OUTSIDE SHELL	1	SUS 301	50U Min. NICKEL
UNLESS OTHERWISE SPECIFIED TOLERANCES				
DECIMALS:	ANGLES:			
X : ±0.5	X : ±2°			
XX : ±0.3	X.X : ±1°			
XXX : ±0.2				

TITLE USB TYPE C , Mid-mount(CH=0.72mm)

DWN EBN 2019.11.01 **PART NO.** 2UB3C03-400321F

CHKD SCALE 1:1 UNIT: mm

APVD ANE12019.11.01 SIZE: A3 SHEET:1 OF 1 REV:A

CUSTOMER COPY

Singatron Enterprise Co., Ltd.
信普企業股份有限公司