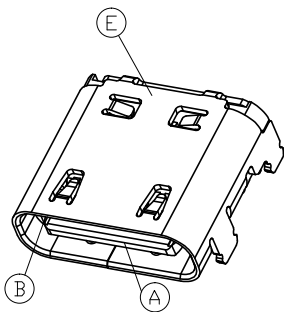
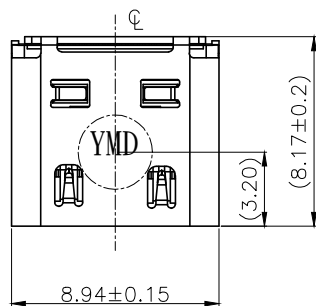


REV.	ECN NO OR DESCRIPTION	REVISED	DATE
A	PDR NO.:T220725-3A	TAO	2023.04.07



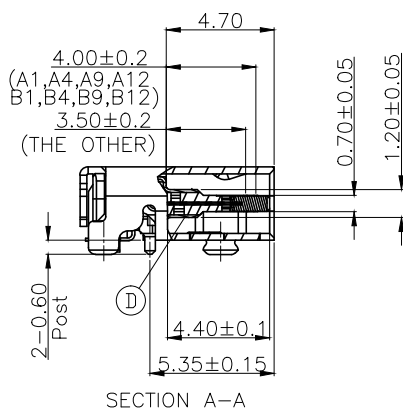
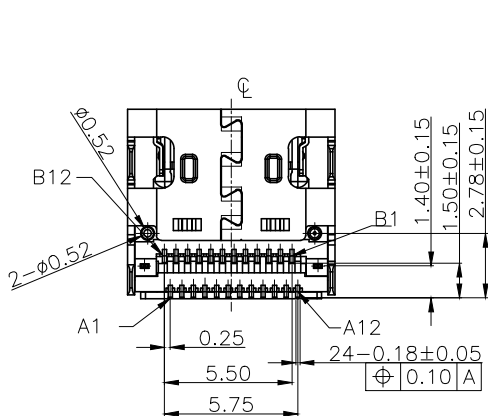
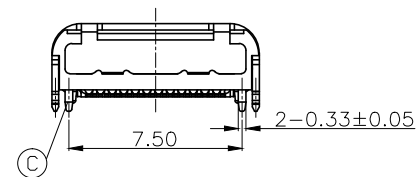
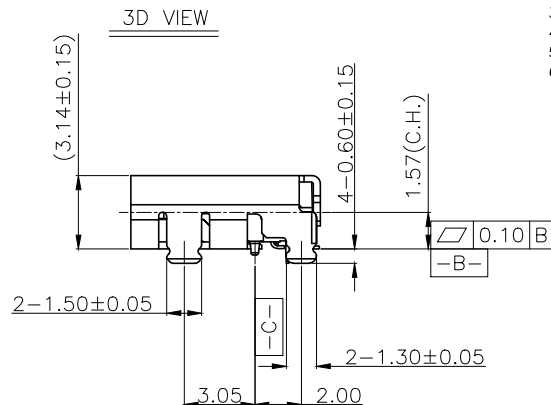
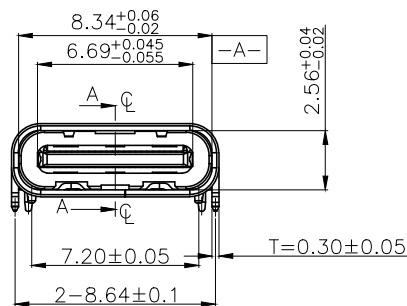
SPECIFICATIONS:

1. ELECTRICAL CHARACTERISTICS:

- 1-1. LLCR:  
VBUS & GND PINS&OTHER PINS: 40mΩ MAX  
AFTER ENVIRONMENT TEST: 50mΩ MAX.
- 1-2. CURRENT RATING: 3.0 A Max.
- 1-3. VOLTAGE RATING: 5.0 V.
- 1-4. INSULATION RESISTANCE: 100MΩ MIN.
- 1-5. ENVIRONMENTAL PERFORMANCE:  
OPERATING TEMPERATURE: -55°C~+85°C.

2. MECHANICAL CHARACTERISTICS:

- 2-1. MATING FORCE : 0.5-2.0 Kgf.
- 2-2. UNMATING FORCE : 0.8-2.0 Kgf.(1~1000CYCLES),0.6-2.0 Kgf.(AFTER 1000 YCLES)
- 3. LIFE TEST: 10000 CYCLES MIN.
- 4. TO CONFORM TO SINGATRON HAZARDOUS SUBSTANCE FREE SPEC.
- 5. HALOGEN FREE PRODUCT IDENTIFICATION MARK ON JACK:
- 6. HALOGEN FREE PRODUCT IDENTIFICATION LABEL ON PACKAGING:
- 7. FOR REFLOW SOLDERING LEAD-FREE PROCESS.



E	SHELL	1	SUS304-1/2H,T=0.30	NICKEL 50u"MIN
D	MATE GROUND	1	SUS304-1/2H,T=0.12	N/A
C	MID GROUND	1	SUS301-EH	NICKEL 50u"MIN
B	CONTACT	24	COPPER ALLOY,T=0.12	Au 30um PLATED ON CONTACT AREA; Matt. Sn 60um Min.PLATED ON SOLDERING 50um NICKEL UNDER PLATING OVERALL
A	BODY	1	LCP 6808U UL94-V0	BLACK
NO	DESCRIPTION	QTY	MATERIAL	PLATING & COLOR

UNLESS OTHERWISE SPECIFIED TOLERANCES

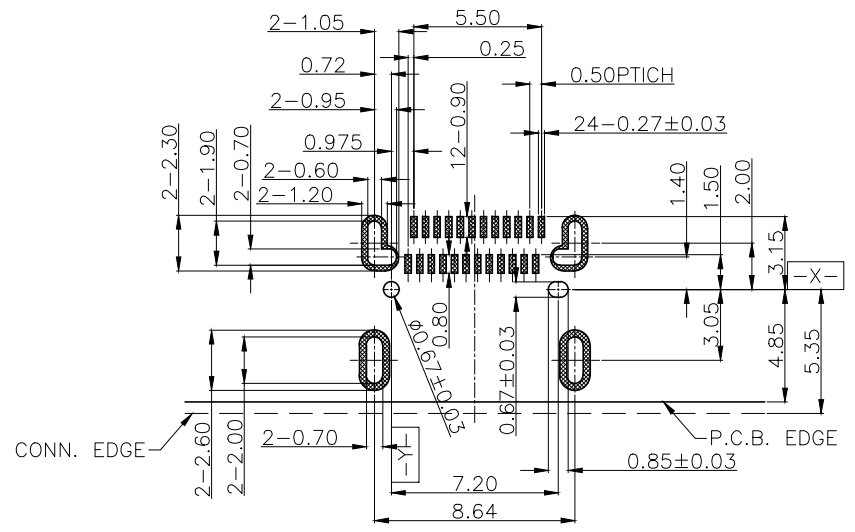
Singatron Enterprise Co., Ltd.  
信音企業股份有限公司

DECIMALS: ANGLES:  
X :±0.5 X :±2°  
X.X :±0.3 X.X :±1°  
X.XX :±0.2

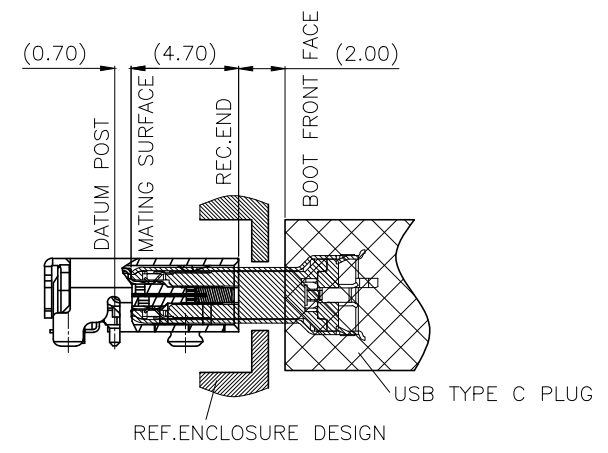
TITLE	USB TYPE -C ON BOARD SMT REC(C.H.=1.57)		
DWN	TAO	PART NO: 2UB3C08-01111F	
CHKD	BOYE	SCALE:4:1	UNIT: mm
APVD	LIAO	SIZE: A3	SHEET:1 OF 2
REV:A			

CUSTOMER COPY

REV.	ECN NO OR DESCRIPTION	REVISED	DATE
A	PDR NO.:T220725-3A	TAO	2023.04.07



RECOMMENDED P.C.B LAYOUT(TOP VIEW)  
TOLERANCE=±0.05(THK: 0.8mm)



MATING DRAWING

NO.	PIN NUMBER	SIGNAL NAME	NO.	PIN NUMBER	SIGNAL NAME
1	A1	GND	13	B12	GND
2	A2	SSTXp1	14	B11	SSRXp1
3	A3	SSTXn1	15	B10	SSRXn1
4	A4	VBUS	16	B9	VBUS
5	A5	CC1	17	B8	RFU2
6	A6	Dp1	18	B7	Dn2
7	A7	Dn1	19	B6	Dp2
8	A8	RFU1	20	B5	CC2
9	A9	VBUS	21	B4	VBUS
10	A10	SSRXn2	22	B3	SSTXn2
11	A11	SSRXp2	23	B2	SSTXp2
12	A12	GND	24	B1	GND

NO.	DESCRIPTION	QTY	MATERIAL	PLATING & COLOR
UNLESS OTHERWISE SPECIFIED TOLERANCES			Singatron Enterprise Co., Ltd. 信音企業股份有限公司	
DECIMALS:		TITLE: USB TYPE -C ON BOARD SMT REC(C.H.=1.57)		
ANGLES:		DWN: TAO		
X :±0.5	X :±2°	PART NO: 2UB3C08-01111F		
X.X :±0.3	X.X :±1°	CHKD: BOYE	SCALE: 4:1	UNIT: mm
X.XX :±0.2		APVD: LIAO	SIZE: A3	SHEET: 2 OF 2
REV: A				
CUSTOMER COPY				