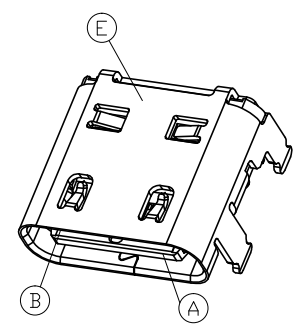
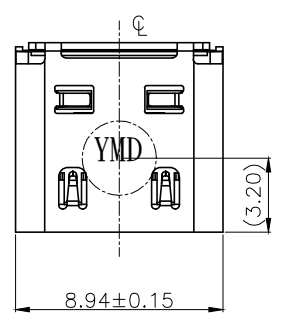


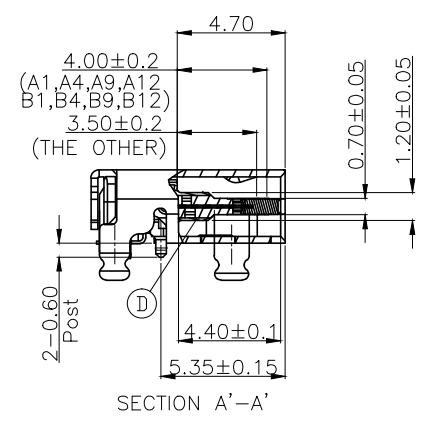
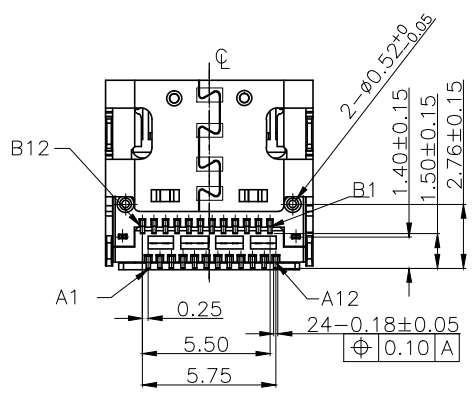
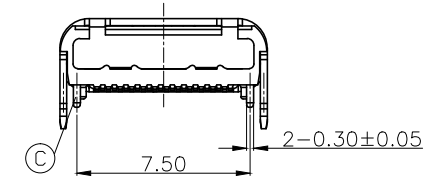
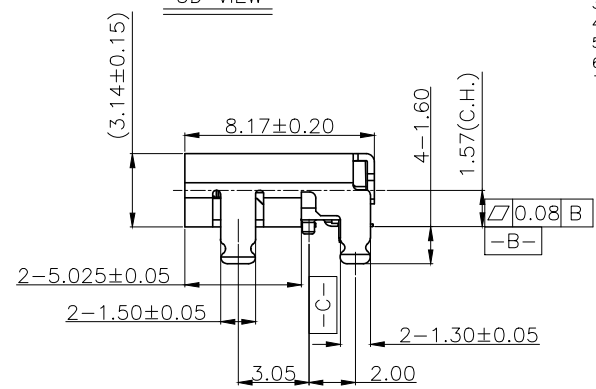
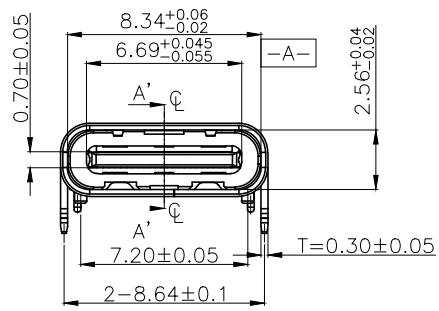
REV.	ECN NO OR DESCRIPTION	REVISED	DATE
A	PDR NO.:T220926-3A	TAO	2023.04.07
B	ECN NO.:S202305-R07	TAO	2023.06.28

SPECIFICATIONS:

- ELECTRICAL CHARACTERISTICS:
 - 1-1. I/O PINS: 40mΩ MAX
 - 1-2. VBUS & GND PINS & OTHER PINS: 50mΩ MAX.
 - 1-3. CURRENT RATING: 3.0 A Max.
 - 1-4. VOLTAGE RATING: 5.0 V.
 - 1-5. INSULATION RESISTANCE: 100MΩ MIN.
- ENVIRONMENTAL PERFORMANCE:
 - 1-5. OPERATING TEMPERATURE: -55°C~+85°C.
- MECHANICAL CHARACTERISTICS:
 - 2-1. MATING FORCE : 0.5~2.0 Kgf.
 - 2-2. UNMATING FORCE : 0.8~2.0 Kgf.(1~1000CYCLES),0.6~2.0 Kgf.(AFTER 1000 YCLES)
- LIFE TEST: 10000 CYCLES MIN.
- TO CONFORM TO SINGATRON HAZARDOUS SUBSTANCE FREE SPEC.
- HALOGEN FREE PRODUCT IDENTIFICATION MARK ON JACK:
- HALOGEN FREE PRODUCT IDENTIFICATION LABEL ON PACKAGING:
- FOR REFLOW SOLDERING LEAD-FREE PROCESS.



3D VIEW



SECTION A'-A'

NO	DESCRIPTION	QTY	MATERIAL	PLATING & COLOR
E	SHELL	1	SUS304-1/2H,T=0.30	NICKEL 50u"MIN
D	MATE GROUND	1	SUS304-1/2H,T=0.12	N/A
C	MID GROUND	1	SUS301-EH	NICKEL 50u"MIN
B	CONTACT	24	COPPER ALLOY,T=0.12	Au 30um PLATED ON CONTACT AREA; Matt. Sn 60um Min.PLATED ON SOLDERING 50um NICKEL UNDER PLATING OVERALL
A	BODY	1	LCP 6808U UL94 V-0	BLACK

UNLESS OTHERWISE SPECIFIED TOLERANCES

Singatron Enterprise Co., Ltd.
信音企業股份有限公司

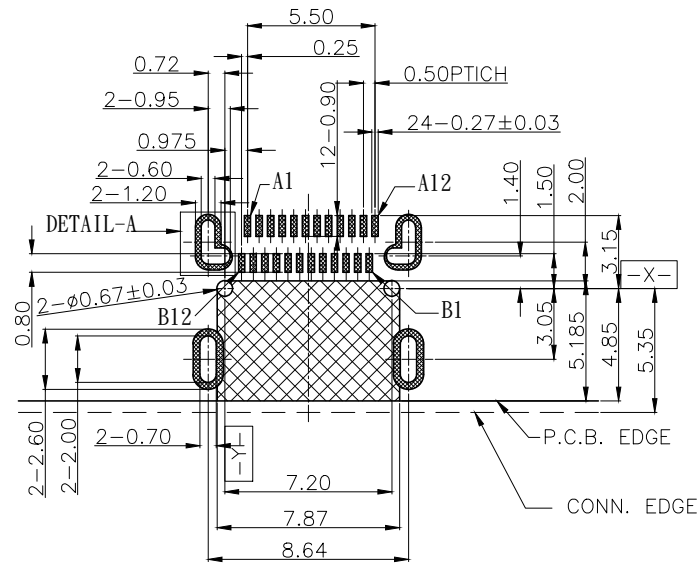
TITLE: USB TYPE -C ON BOARD SMT REC(C.H.=1.57)

DWN	TAO	PART NO: 2UB3C08-012111F	
CHKD	BOYE	SCALE:4:1	UNIT: mm
APVD	BOYE	SIZE: A3	SHEET:1 OF 2

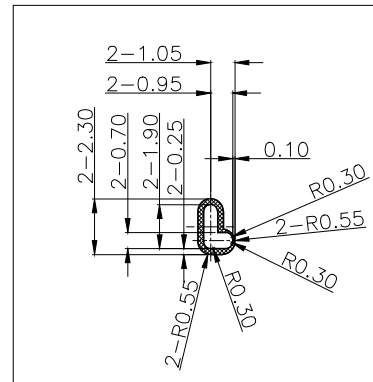
REV: B

CUSTOMER COPY

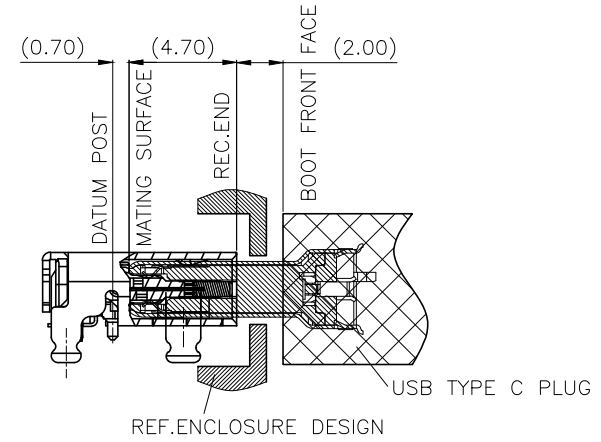
REV.	ECN NO OR DESCRIPTION	REVISED	DATE
A	PDR NO.:T220926-3A	TAO	2023.04.07
B	ECN NO.:S202305-R07	TAO	2023.06.28



RECOMMENDED P.C.B LAYOUT(TOP VIEW)
TOLERANCE=±0.05(THK: 0.8mm)



DETAIL-A



MATING DRAWING

NO.	PIN NUMBER	SIGNAL NAME	NO.	PIN NUMBER	SIGNAL NAME
1	A1	GND	13	B12	GND
2	A2	SSTXp1	14	B11	SSRXp1
3	A3	SSTXn1	15	B10	SSRXn1
4	A4	VBUS	16	B9	VBUS
5	A5	CC1	17	B8	RFU2
6	A6	Dp1	18	B7	Dn2
7	A7	Dn1	19	B6	Dp2
8	A8	RFU1	20	B5	CC2
9	A9	VBUS	21	B4	VBUS
10	A10	SSRXn2	22	B3	SSTXn2
11	A11	SSRXp2	23	B2	SSTXp2
12	A12	GND	24	B1	GND

NO.	DESCRIPTION	QTY	MATERIAL	PLATING & COLOR
UNLESS OTHERWISE SPECIFIED TOLERANCES				
DECIMALS:		ANGLES:		
X	:±0.5	X	:±2°	
X.X	:±0.3	X.X	:±1°	
X.XX	:±0.2			
TITLE		USB TYPE -C ON BOARD SMT REC(C.H.=1.57)		
DWN	TAO	PART NO: 2UB3C08-012111F		
CHKD	BOYE	SCALE:4:1	UNIT: mm	⊕
APVD	BOYE	SIZE: A3	SHEET:2 OF 2	REV:B
CUSTOMER COPY				

Singatron Enterprise Co., Ltd.
信音企業股份有限公司