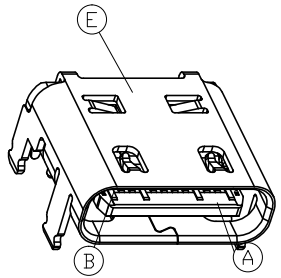
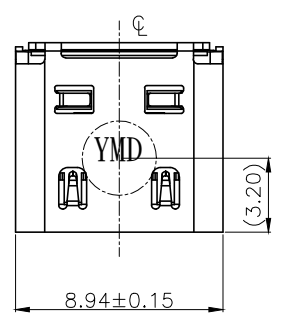
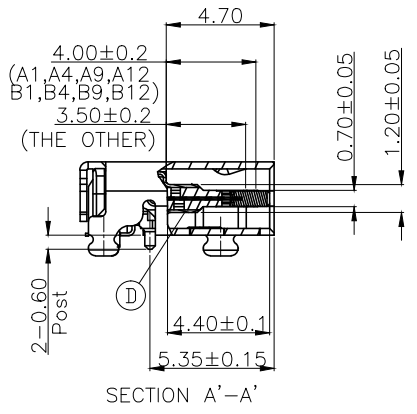
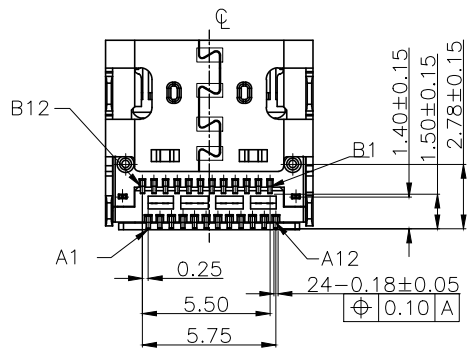
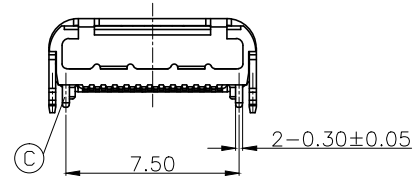
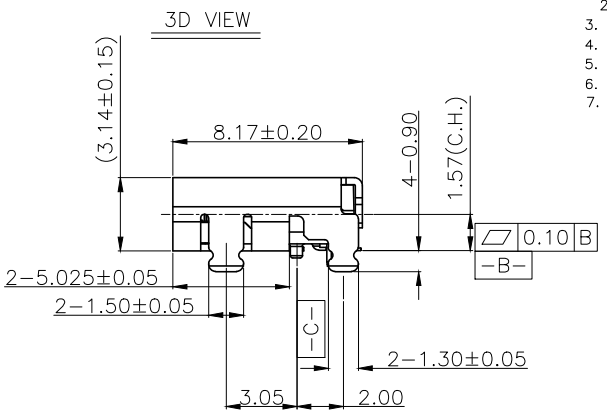
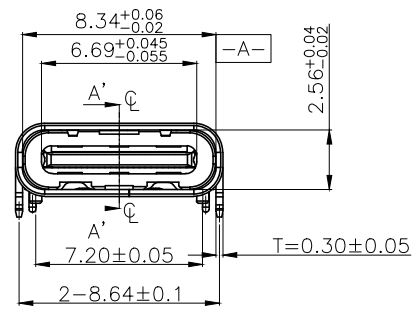


REV.	ECN NO OR DESCRIPTION	REVISED	DATE
A	PDR NO.:T220926-3B	TAO	2023.04.07



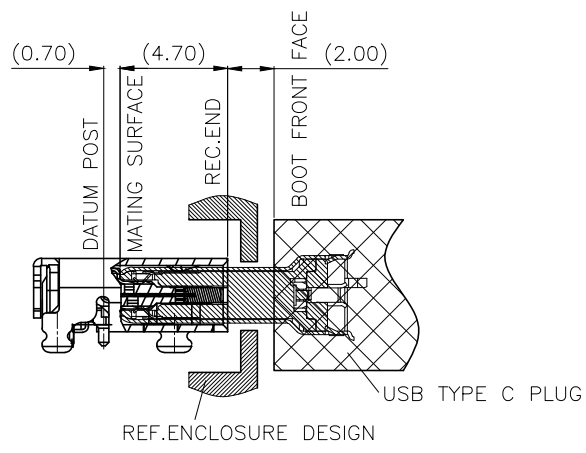
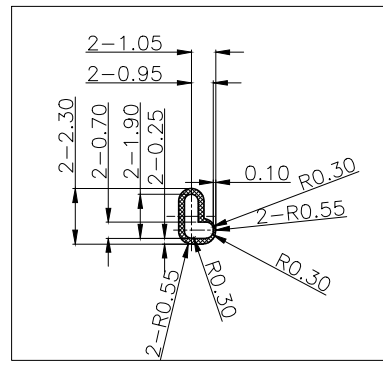
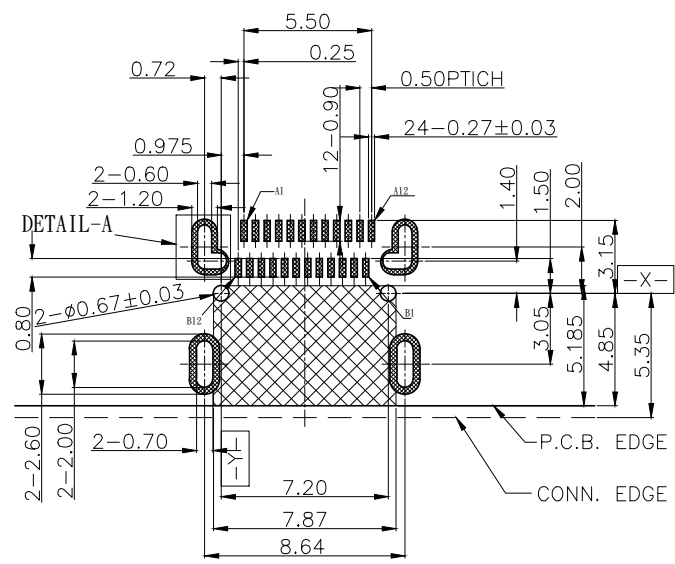
- SPECIFICATIONS:
- ELECTRICAL CHARACTERISTICS:
 - LLCR:
 - VBUS & GND PINS&OTHER PINS: 40mΩ MAX
 - AFTER ENVIRONMENT TEST: 50mΩ MAX.
 - CURRENT RATING: 3.0 A Max.
 - VOLTAGE RATING: 5.0 V.
 - INSULATION RESISTANCE: 100MΩ MIN.
 - ENVIRONMENTAL PERFORMANCE:
 - OPERATING TEMPERATURE: -55°C~+85°C.
 - MECHANICAL CHARACTERISTICS:
 - MATING FORCE : 0.5~2.0 Kgf.
 - UNMATING FORCE : 0.8~2.0 Kgf.(1~1000CYCLES),0.6~2.0 Kgf.(AFTER 1000 YCLER)
 - LIFE TEST: 10000 CYCLES MIN.
 - TO CONFORM TO SINGATRON HAZARDOUS SUBSTANCE FREE SPEC.
 - HALOGEN FREE PRODUCT IDENTIFICATION MARK ON JACK:
 - HALOGEN FREE PRODUCT IDENTIFICATION LABEL ON PACKAGING:
 - FOR REFLOW SOLDERING LEAD-FREE PROCESS.



E	SHELL	1	SUS304-1/2H,T=0.30	NICKEL 50u"MIN
D	MATE GROUND	1	SUS304-1/2H,T=0.12	N/A
C	MID GROUND	1	SUS301-EH	NICKEL 50u"MIN
B	CONTACT	24	COPPER ALLOY,T=0.12	Au 30um PLATED ON CONTACT AREA; Mat. Sn 60um Min.PLATED ON SOLDERING 50um NICKEL UNDER PLATING OVERALL
A	BODY	1	LCP 6808U UL94 V-0	BLACK
NO	DESCRIPTION	QTY	MATERIAL	PLATING & COLOR

UNLESS OTHERWISE SPECIFIED TOLERANCES		Singatron Enterprise Co., Ltd. 信音企業股份有限公司	
DECIMALS:	ANGLES:	TITLE: USB TYPE -C ON BOARD SMT REC(C.H.=1.57)	
X :±0.5	X :±2°	DWN	PART NO: 2UB3C08-013111F
X.X :±0.3	X.X :±1°	CHKD	SCALE:4:1 UNIT: mm
X.XX :±0.2		APVD	SIZE: A3 SHEET:1 OF 2
X.XXX :±0.1			REV:A
CUSTOMER COPY			

REV.	ECN NO OR DESCRIPTION	REVISED	DATE
A	PDR NO.:T220926-3B	TAO	2023.04.07



NO.	PIN NUMBER	SIGNAL NAME	NO.	PIN NUMBER	SIGNAL NAME
1	A1	GND	13	B12	GND
2	A2	SSTXp1	14	B11	SSRXp1
3	A3	SSTXn1	15	B10	SSRXn1
4	A4	VBUS	16	B9	VBUS
5	A5	CC1	17	B8	RFU2
6	A6	Dp1	18	B7	Dn2
7	A7	Dn1	19	B6	Dp2
8	A8	RFU1	20	B5	CC2
9	A9	VBUS	21	B4	VBUS
10	A10	SSRXn2	22	B3	SSTXn2
11	A11	SSRXp2	23	B2	SSTXp2
12	A12	GND	24	B1	GND

NO.	DESCRIPTION	QTY	MATERIAL	PLATING & COLOR
UNLESS OTHERWISE SPECIFIED TOLERANCES		Singatron Enterprise Co., Ltd. 信音企業股份有限公司		
DECIMALS: ANGLES:		TITLE: USB TYPE -C ON BOARD SMT REC(C.H.=1.57)		
X :±0.5	X :±2°	DWN	TAO	PART NO: 2UB3C08-013111F
X.X :±0.3	X.X :±1°	CHKD	BOYE	SCALE:4:1 UNIT: mm
X.XX :±0.2		APVD	BOYE	SIZE: A3 SHEET:2 OF 2 REV:A
CUSTOMER COPY				