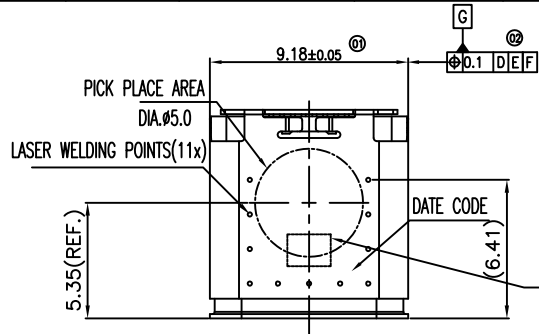


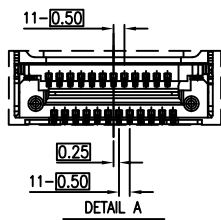
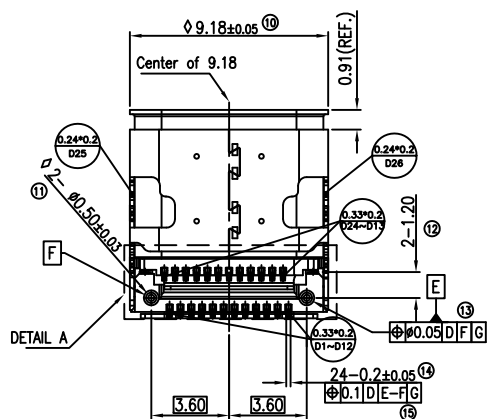
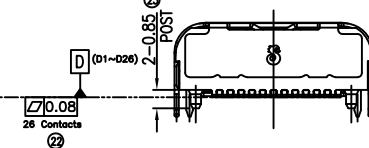
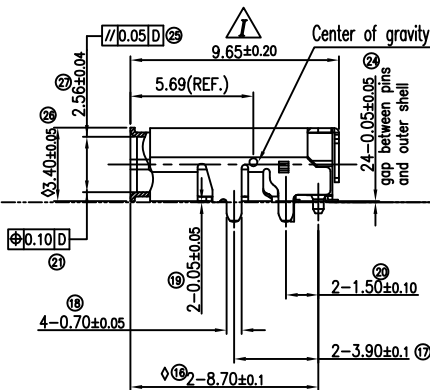
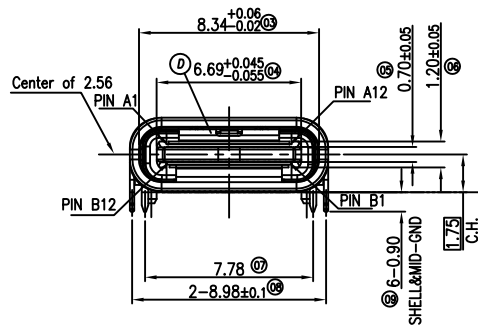
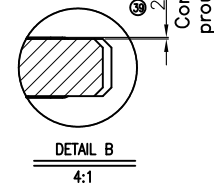
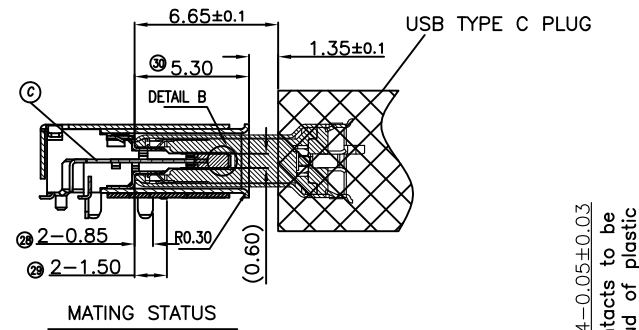
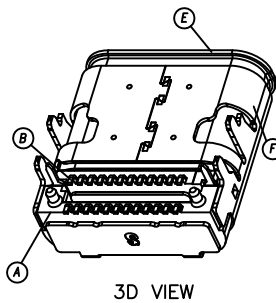


TABLE:				
Singatron P/N	Bury P/N	Gasket	Gasket Material	TID NO.
2UB3C13-003111F	VVM0017B_LF	NONE	N/A	3467

REV.	ECN NO OR DESCRIPTION	REVISED	DATE
G	ECN NO.:S202105-C04	Edi.Zhou	2021.06.17
H	ECN NO.:S202201-C12	Edi.Zhou	2022.01.26
I	ECN NO.:S202307-C17	JIANGTAO	2023.07.18



YYMMDD\*  
 YEAR MONTH DAY  
 RANDOM CODE



NO	DESCRIPTION	QTY	MATERIAL	PLATING & COLOR
F	TOP SHELL	1	SUS304,T=0.20	80uin Min. NICKEL
E	SHELL	1	SUS316,T=0.20	80uin Min. NICKEL
D	MATE GROUND	1	SUS304,T=0.12	N/A
C	MID-GND	1	SUS301 T=0.15	80uin Min. NICKEL
B	CONTACT	24	C7035,T=0.12	30uin Au PLATED ON CONTACT AREA; 100uin Matte.Sn PLATED ON SOLDERING AREA All OVER 80uin NICKEL PLATING
A	BODY	1	LCP 6808U UL94-V0	BLACK

NO	DESCRIPTION	QTY	MATERIAL	PLATING & COLOR
UNLESS OTHERWISE SPECIFIED TOLERANCES				
DECIMALS:		ANGLES:		TITLE
X	±0.5	X	±2'	DWN
X.X	±0.3	X.X	±1'	CHKD
X.XX	±0.1			APVD
Singatron Enterprise Co., Ltd. 信音企業股份有限公司 <b>TITLE: USB TYPE-C R/A DUAL SMT TYPE(C.H.=1.75)</b> <b>DWN: JIANGTAO PART NO: 2UB3C13-OXX111F</b> SCALE:4:1 UNIT: mm SIZE: A3 SHEET:2 OF 3 <b>REV:I</b>				
<b>CUSTOMER COPY</b>				

SPECIFICATIONS:

1. ELECTRICAL CHARACTERISTICS:

1-1. LLCR:

VBUS & GND PINS&OTHER PINS: 40mΩ Max.  
AFTER ENVIRONMENT TEST: 50mΩ Max.

1-2. CURRENT RATING: 5A Max.

1-3. VOLTAGE RATING: 20V.

1-4. INSULATION RESISTANCE: 100MΩ Min.(test according to EIA 364-21)

1-5. ENVIRONMENTAL PERFORMANCE:

OPERATING TEMPERATURE: -40°C~+105°C.

2. Insertion/Extraction force(acc.To USB Type C spec.)

3. LIFE TEST: 10000 CYCLES Min.

4. TO CONFORM TO SINGATRON HAZARDOUS SUBSTANCE FREE SPEC.

5. HALOGEN FREE PRODUCT IDENTIFICATION MARK ON JACK: 

6. HALOGEN FREE PRODUCT IDENTIFICATION LABEL ON PACKAGING: 

7. FOR REFLOW SOLDERING LEAD-FREE PROCESS.

Soldering temperature 220C/90sec.260C time peak 20sec

8. Tape and reel packing

9. Water protection IP5K2(acc.to ISO 20653,testing vertically, without plug-water can not leak through the connector)

10. Automotive compliant (acc.To LV214)

11. Connector is fully compatible with USB Type C connector specification(Release 1.3 )

12. "Ø" Key characteristics

13. TID number-SEE TABLE

14. Connection sockets load can not lead to any mechanical or electrical interference or damage.

The values shown in the table are binding.

15. Testing to determine the resistance against flowing mixed gas in accordance with

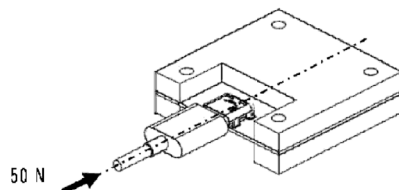
DIN EN 60068-2-60:1996-09,Test KE,Method 4 (identical to IEC 60068-60)

16. Bury are allowed to make changes in documentation after manufacturing(including tolerance change)

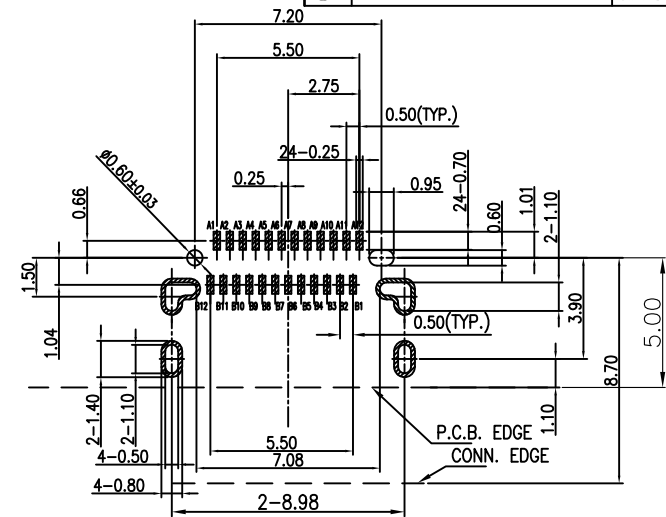
17. Shape and position tolerances according to DIN EN ISO 1101

18. After first samples BURY will test (influence to illumination) and choose colour of the gasket (transparent or orange).

Schalter/Switch	Belastungsart/Type of load	Wert/Value
USB-Buchsenanschluss USB socket	Anschlagfestigkeit(Radialkomponente) End stop strength(radial component)	50N Min.
USB-Buchsenanschluss USB socket	Mechanische Druckbeaufschlagung(1 Min) mechanical pressure application(1min)	50N Min.




REV.	ECN NO OR DESCRIPTION	REVISED	DATE
F	ECN NO.:S202012-C08	Edi.Zhou	2020.12.14
G	ECN NO.:S202105-C04	Edi.Zhou	2021.06.17
H	ECN NO.:S202201-C12	Edi.Zhou	2022.01.26
I	ECN NO.:S202307-C17	JIANGTAO	2023.07.18



RECOMMENDED P.C.B LAYOUT(TOP VIEW)

TOLERANCE=±0.05(THK:1.1~1.75mm)

NO.	PIN NUMBER	SIGNAL NAME	NO.	PIN NUMBER	SIGNAL NAME
1	A1	GND	13	B12	GND
2	A2	SSTXp1	14	B11	SSRXp1
3	A3	SSTXn1	15	B10	SSRXn1
4	A4	VBUS	16	B9	VBUS
5	A5	CC1	17	B8	RFU2
6	A6	Dp1	18	B7	Dn2
7	A7	Dn1	19	B6	Dp2
8	A8	RFU1	20	B5	CC2
9	A9	VBUS	21	B4	VBUS
10	A10	SSRXn2	22	B3	SSTXn2
11	A11	SSRXp2	23	B2	SSTXp2
12	A12	GND	24	B1	GND

NO	DESCRIPTION	QTY	MATERIAL	PLATING & COLOR
UNLESS OTHERWISE SPECIFIED TOLERANCES		 Singatron Enterprise Co., Ltd. 信音企業股份有限公司		
DECIMALS:	ANGLES:	TITLE	USB TYPE-C R/A DUAL SMT TYPE(C.H.=1.75)	
X :±0.5	X :±2°	DWN	JIANGTAO	PART NO: 2UB3C13-OXX11F
X.X :±0.3	X.X :±1°	CHKD	Boye	SCALE:4:1 UNIT: mm
X.XX :±0.1		APVD	Boye	SIZE: A3 SHEET:3 OF 3 REV:I
<b>CUSTOMER COPY</b>				