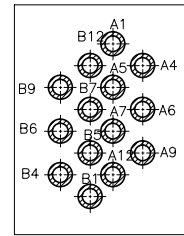
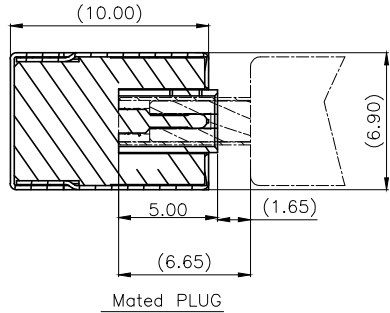
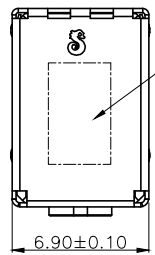


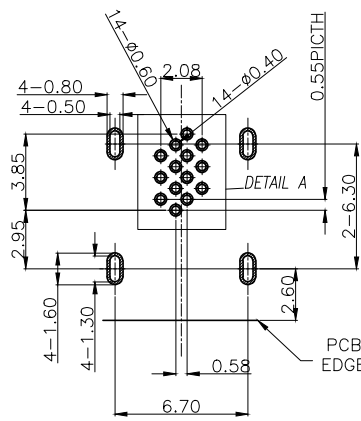
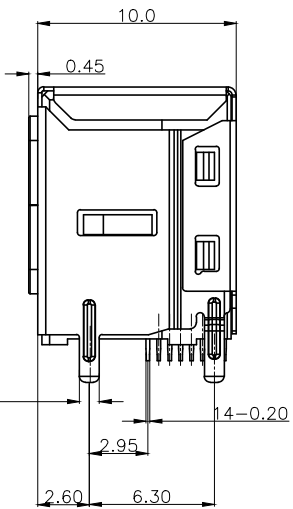
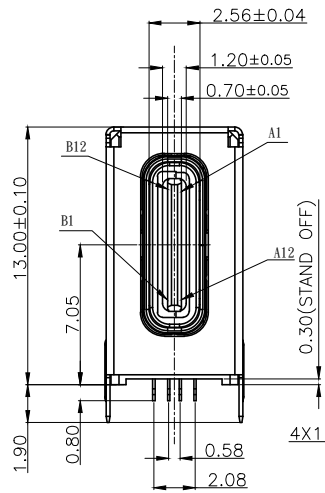
REV.	ECN NO OR DESCRIPTION	REVISED	DATE
A	PDR NO:T171116-4A	ERIC-WU	2019.01.25



DETAIL A 2:1

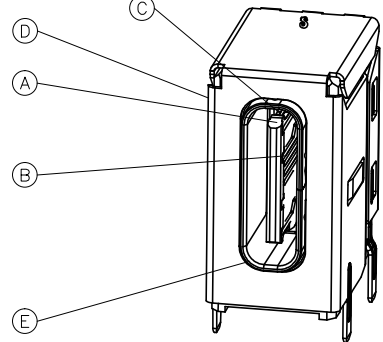
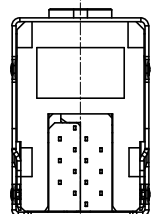
SPECIFICATIONS:

- ELECTRICAL CHARACTERISTICS:
 - 1-1. LLCR:
 - VBUS & GND PINS: 40mΩ /PIN MAX.
 - OTHER PINS: 40mΩ /PIN MAX.
 - LLCR MAX. CHANGE OF ALL PINS: 10mΩ.
 - 1-2. CURRENT RATING:
 - VBUS PINS 5A MAX.(A4,A9,B4,B9)
 - VCONN PINS 1.25A MAX.(A5,B5)
 - Other PINS 0.25A MAX.
 - 1-3. VOLTAGE RATING: 18V MAX.
 - 1-4. INSULATION RESISTANCE: 100MΩ MIN.
 - 1-5. ENVIRONMENTAL PERFORMANCE:
 - OPERATING TEMPERATURE: -55°C~+85°C.
- MECHANICAL CHARACTERISTICS:
 - 2-1. MATING FORCE : 0.5~2.0 Kgf.
 - 2-2. UNMATING FORCE : 0.8~2.0 Kgf.
- LIFE TEST: 10000 CYCLES MIN.
- TO CONFORM TO SINGATRON HAZARDOUS SUBSTANCE FREE SPEC.
- HALOGEN FREE PRODUCT IDENTIFICATION MARK ON JACK:
- HALOGEN FREE PRODUCT IDENTIFICATION LABEL ON PACKAGING:
- FOR REFLOW SOLDERING LEAD-FREE PROCESS.



RECOMMENDED P.C.B LAYOUT(TOP VIEW)
TOLERANCE=±0.05(THK: 1.2mm)

PIN NUMBER	SIGNAL NAME	MATING SEQUENCE	PIN NUMBER	SIGNAL NAME	MATING SEQUENCE
A1	GND	Frist	B12	GND	Frist
A4	VBUS	Frist	B9	VBUS	Frist
A5	CC1	Second	B7	Dn2	Second
A6	Dp1	Second	B6	Dp2	Second
A7	Dn1	Second	B5	CC2	Second
A9	VBUS	Frist	B4	VBUS	Frist
A12	GND	Frist	B1	GND	Frist



3D VIEW

E	SHELL-2	1	SUS	NICKEL 60u ³ Min
D	SHELL-1	1	SUS	N/A
C	MID GROUND	1	SUS	N/A
B	CONTACT	14	C7035	3uIn Min. AU PLATED ON CONTACT AREA; Matt. Sn 100uIn Min.PLATED ON SOLDERING 60uIn Min.NICKEL UNDER PLATING OVERALL
A	HOUSING	1	LCP	WHITE

NO	DESCRIPTION	QTY	MATERIAL	PLATING & COLOR
UNLESS OTHERWISE SPECIFIED TOLERANCES				
DECIMALS:		ANGLES:		TITLE
X	:±0.5	X	:±2°	USB TYPE -C (14PIN)
X.X	:±0.3	X.X	:±1°	DWN ERIC-WU PART NO: 2UB3C18-000111F
X.XX	:±0.2	APVD LIAO		SCALE:4:1 UNIT: mm
			SIZE: A3	SHEET:1 OF 1 REV:A
CUSTOMER COPY				