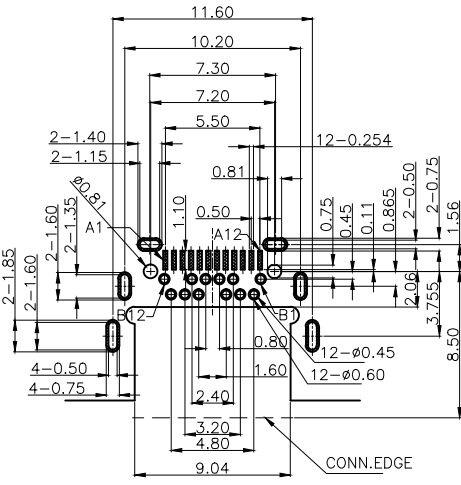
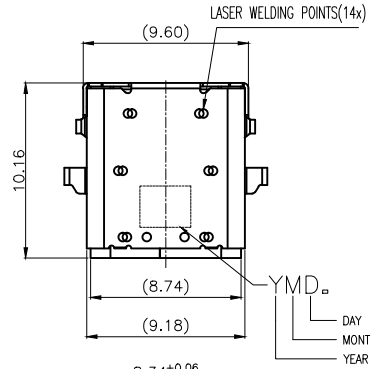


PIN ASSIGNMENT(Front)											
A1	A2	A3	A4	A5	A6	A7	A8	A9	A10	A11	A12
GND	TX1+	TX1-	Vbus	CC1	D+	D-	SBU1	Vbus	RX2-	RX2+	GND
GND	RX1+	RX1-	Vbus	SBU2	D-	D+	CC2	Vbus	TX2-	TX2+	GND
B12	B11	B10	B9	B8	B7	B6	B5	B4	B3	B2	B1

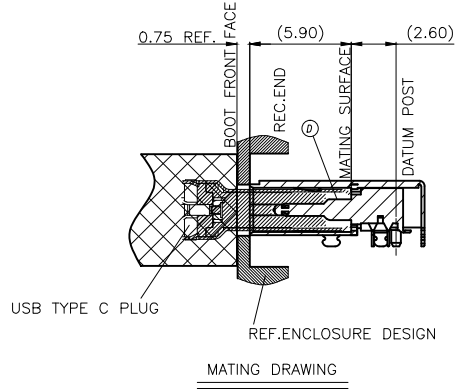
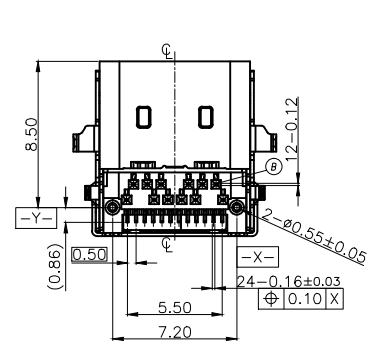
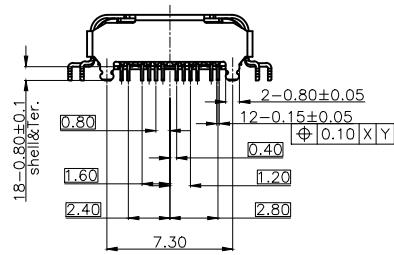
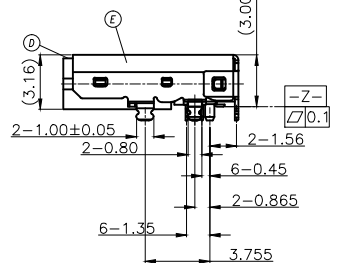
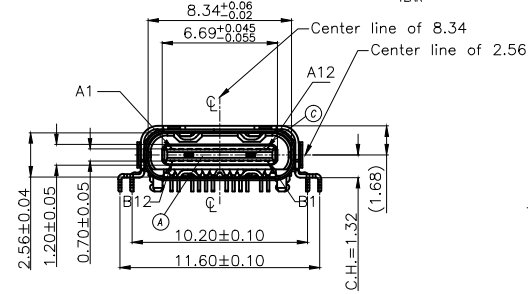
REV.	ECN NO OR DESCRIPTION	REVISED	DATE
A	PDR NO.:T191007-2A	Edi.Zhou	2020.07.24
B	ECN NO.:S202203-R12	TAO	2022.04.27



SPECIFICATIONS:

1. ELECTRICAL CHARACTERISTICS:
 - 1-1. LLCR:
 - VBUS & GND PINS: 40mΩ /PIN MAX.
 - OTHER PINS: 40mΩ /PIN MAX.
 - LLCR MAX. CHANGE OF ALL PINS: 10mΩ.
 - 1-2. CURRENT RATING: 3.0 A Max.
 - 1-3. VOLTAGE RATING: 5.0 V.
 - 1-4. INSULATION RESISTANCE: 100MΩ MIN.
 - 1-5. ENVIRONMENTAL PERFORMANCE:
 - OPERATING TEMPERATURE: -55°C~+85°C.
2. MECHANICAL CHARACTERISTICS:
 - 2-1. MATING FORCE : 0.5~2.0 Kgf.
 - 2-2. UNMATING FORCE : 0.8~2.0 Kgf. After test 0.6~2.0Kgf.
3. LIFE TEST: 10000 CYCLES MIN.
4. TO CONFORM TO SINGATRON HAZARDOUS SUBSTANCE FREE SPEC.
5. HALOGEN FREE PRODUCT IDENTIFICATION MARK ON JACK:
6. HALOGEN FREE PRODUCT IDENTIFICATION LABEL ON PACKAGING:
7. FOR REFLOW SOLDERING LEAD-FREE PROCESS.

RECOMMENDED P.C.B LAYOUT(TOP VIEW)
TOLERANCE=±0.05(THK:1.00mm)



E	TOP SHELL	1	STAINLESS STEEL,T=0.20	NICKEL 80u"MIN Over All
D	SHELL	1	STAINLESS STEEL,T=0.20	清洗
C	MID-GND	1	SUS301 T=0.15	N/A
B	CONTACT	24	C7025-TM03,T=0.12	Au 30uin PLATED ON CONTACT AREA; Mat. Sn 100uin Min.PLATED ON SOLDERING 80uin NICKEL UNDER PLATING OVERALL
A	BODY	1	LCP E130I 30%GF UL94-V0	BLACK

NO	DESCRIPTION	QTY	MATERIAL	PLATING & COLOR
UNLESS OTHERWISE SPECIFIED TOLERANCES				
DECIMALS: ANGLES:				
X	:±0.5	X	:±2°	
X.X	:±0.3	X.X	:±1°	
X.XX	:±0.2			
TITLE		USB TYPE -C R/A HYBRID TYPE (C.H.=1.32)		
DWN		TAO	PART NO: 2UB3C34-000111F	
CHKD		Boye	SCALE:4:1	UNIT: mm
APVD		Boye	SIZE: A3	SHEET:1 OF 1
				REV:B
CUSTOMER COPY				