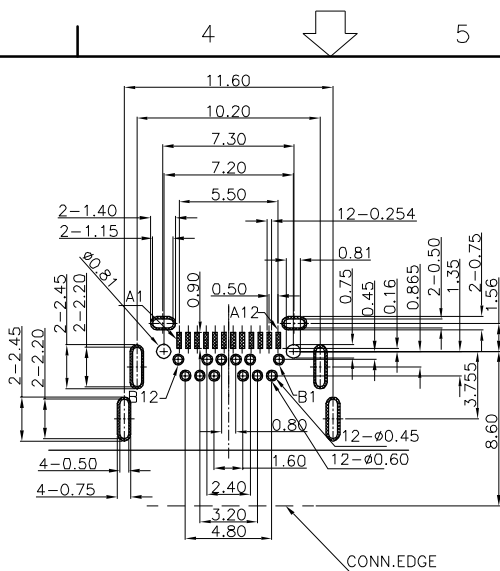
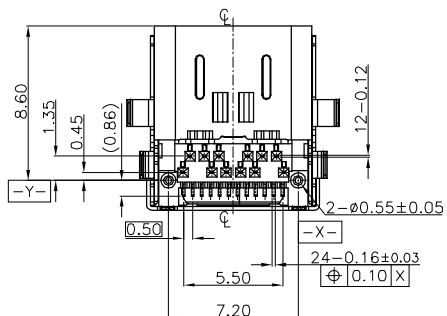
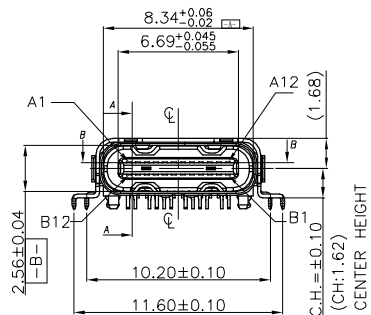
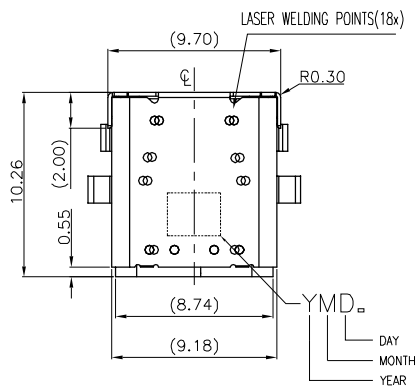
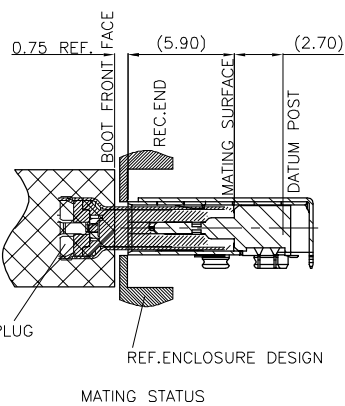
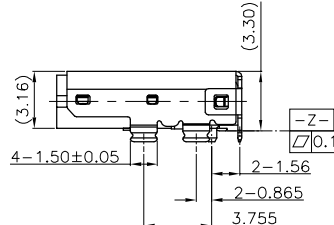


PIN ASSIGNMENT(Front)											
A1	A2	A3	A4	A5	A6	A7	A8	A9	A10	A11	A12
GND	TX1+	TX1-	Vbus	CC1	D-	D+	SBU1	Vbus	RX2-	RX2+	GND
GND	RX1+	RX1-	Vbus	SBU2	D-	D+	CC2	Vbus	TX2-	TX2+	GND
B12	B11	B10	B9	B8	B7	B6	B5	B4	B3	B2	B1

REV.	ECN NO OR DESCRIPTION	REVISED	DATE
A	PDR NO.:T200629-1A	TAO	2021.07.23



RECOMMENDED P.C.B LAYOUT(TOP VIEW)
TOLERANCE=±0.05(THK:1.00mm)



SPECIFICATIONS:

1. ELECTRICAL CHARACTERISTICS:

1-1. LLCR:

VBUS & GND PINS: 40mΩ /PIN Max.
OTHER PINS: 40mΩ /PIN Max.
LLCR Max. CHANGE OF ALL PINS:10mΩ.

1-2. CURRENT RATING: 3.0A Max.

1-3. VOLTAGE RATING: 5.0V.

1-4. INSULATION RESISTANCE: 100MΩ Min.

1-5. ENVIRONMENTAL PERFORMANCE:

OPERATING TEMPERATURE: -55°C~+85°C.

2. MECHANICAL CHARACTERISTICS:

2-1. MATING FORCE: 5N~20N.

2-2. UNMATING FORCE:14N Min. AFTER TEST 6N~20N.

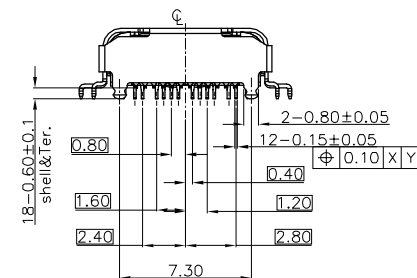
3. LIFE TEST: 10000 CYCLES Min.

4. TO CONFORM TO SINGATRON HAZARDOUS SUBSTANCE FREE SPEC.

5. HALOGEN FREE PRODUCT IDENTIFICATION MARK ON JACK:

6. HALOGEN FREE PRODUCT IDENTIFICATION LABEL ON PACKAGING:

7. FOR REFLOW SOLDERING LEAD-FREE PROCESS.

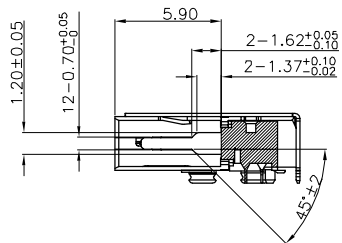


E	TOP SHELL	1	STAINLESS STEEL,T=0.20mm	80µin Min. SOLDERABLE NICKEL PLATING
D	SHELL	1	STAINLESS STEEL,T=0.20mm	Cleaning
C	MID-GND	1	SUS301 T=0.15mm	Cleaning
B	CONTACT	24	C7025-TM03,T=0.12mm	30µin. Min. Au PLATING ON CONTACT AREA; 100µin Min. Mott. Tin PLATING ON SOLDER TAIL AREA AND 80µin Min. NICKEL UNDER PLATING
A	BODY	1	HIGH TEMP.THERMOPLASTIC	BLACK

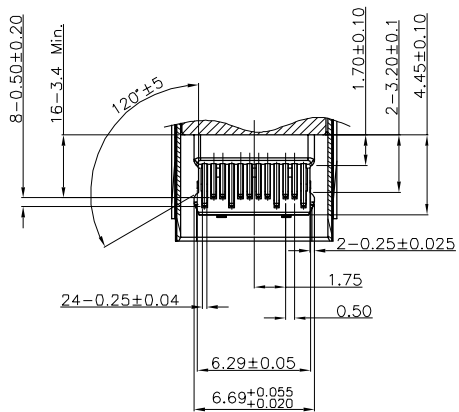
NO	DESCRIPTION	QTY	MATERIAL	PLATING & COLOR
UNLESS OTHERWISE SPECIFIED TOLERANCES			Singatron Enterprise Co., Ltd. 信音企業股份有限公司	

DECIMALS:	ANGLES:	TITLE	USB TYPE -C R/A HYBRID TYPE (C.H.=1.62)		
X : ±0.5	X : ±2°	DWN TAO	PART NO: 2UB3C35-001111F		
X.X : ±0.3	X.X : ±1°	CHKD BOYE	SCALE:4:1	UNIT: mm	
X.XX : ±0.2		APVD LIAO	SIZE: A3	SHEET:1 OF 2	REV:A
CUSTOMER COPY					

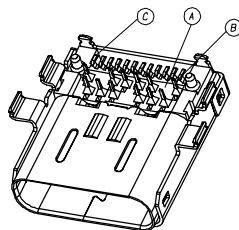
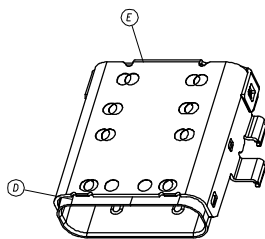
REV.	ECN NO OR DESCRIPTION	REVISED	DATE
A	PDR NO.:T200629-1A	TAO	2021.07.23




SECTION A-A



SECTION B-B



3D VIEW

NO	DESCRIPTION	QTY	MATERIAL	PLATING & COLOR
UNLESS OTHERWISE SPECIFIED TOLERANCES		 Singatron Enterprise Co., Ltd. 信音企業股份有限公司		
DECIMALS: ANGLES:		TITLE	USB TYPE -C R/A HYBRID TYPE (C.H.=1.62)	
X	:±0.5	X	:±2°	DWN TAO
X.X	:±0.3	X.X	:±1°	CHKD BOYE
X.XX	:±0.2	APVD LIAO	SCALE:4:1	UNIT: mm
		SIZE: A3	SHEET:2 OF 2	REV:A
CUSTOMER COPY				