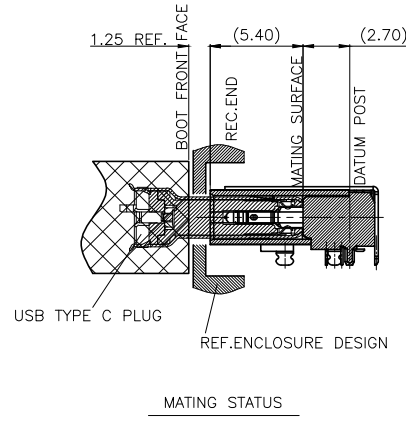
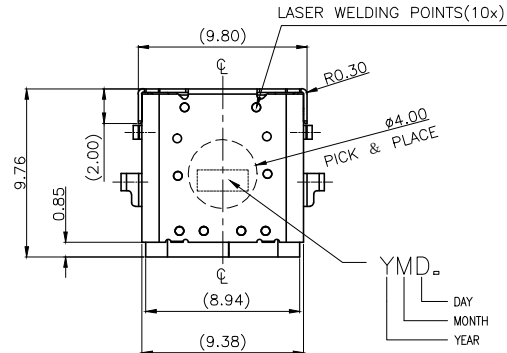


PIN ASSIGNMENT(Front)											
A1	A2	A3	A4	A5	A6	A7	A8	A9	A10	A11	A12
GND	TX1+	TX1-	Vbus	CC1	D+	D-	SBU1	Vbus	RX2-	RX2+	GND
GND	RX1+	RX1-	Vbus	SBU2	D-	D+	CC2	Vbus	TX2-	TX2+	GND
B12	B11	B10	B9	B8	B7	B6	B5	B4	B3	B2	B1

REV.	ECN NO OR DESCRIPTION	REVISED	DATE
A	PDR NO.:T210401-1A	TAO	2021.11.10



SPECIFICATIONS:

1. ELECTRICAL CHARACTERISTICS:

1-1. LLCR:

VBUS & GND PINS: 40m Ω /PIN Max.

OTHER PINS: 40m Ω /PIN Max.

LLCR Max. CHANGE OF ALL PINS:10m Ω .

1-2. CURRENT RATING: 3.0A Max.

1-3. VOLTAGE RATING: 5.0V.

1-4. INSULATION RESISTANCE: 100M Ω Min.

1-5. ENVIRONMENTAL PERFORMANCE:

OPERATING TEMPERATURE: -55°C~+85°C.

2. MECHANICAL CHARACTERISTICS:

2-1. MATING FORCE: 5N~20N.

2-2. UNMATING FORCE: 14N~20N AFTER TEST 8N~20N.

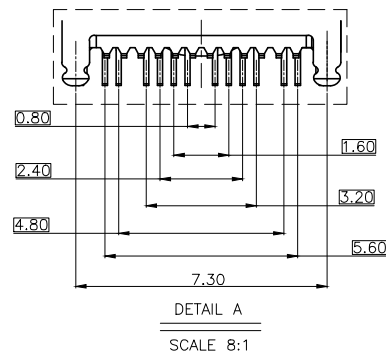
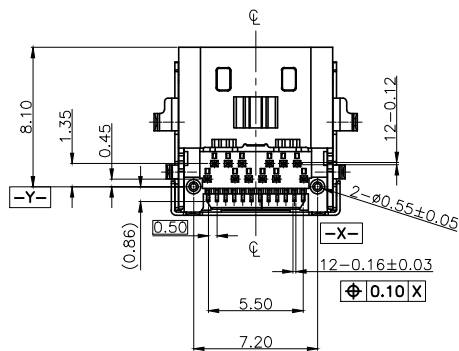
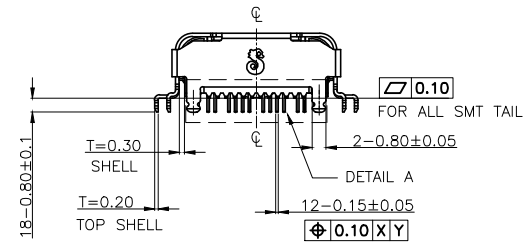
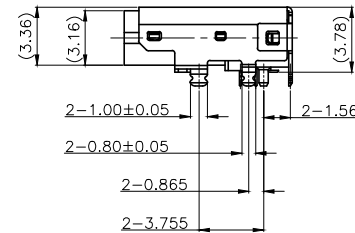
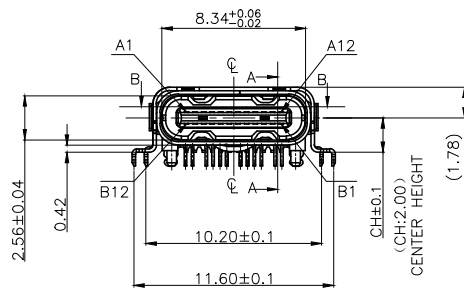
3. LIFE TEST: 10000 CYCLES Min.

4. TO CONFORM TO SINGATRON HAZARDOUS SUBSTANCE FREE SPEC.

5. HALOGEN FREE PRODUCT IDENTIFICATION MARK ON JACK:

6. HALOGEN FREE PRODUCT IDENTIFICATION LABEL ON PACKAGING:

7. FOR REFLOW SOLDERING LEAD-FREE PROCESS.



NO	DESCRIPTION	QTY	MATERIAL	PLATING & COLOR
E	TOP SHELL	1	STAINLESS STEEL,T=0.20	80 μ m Min. SOLDERABLE NICKEL PLATING.
D	SHELL	1	STAINLESS STEEL,T=0.30	Cleaning
C	MID-GND	1	SUS301 T=0.15	Cleaning
B	CONTACT	24	C7025-TM03,T=0.12	30 μ m Min. Au PLATING ON CONTACT AREA; 100 μ m Min. Matte. Tin PLATING ON SOLDER TAIL AREA, AND 80 μ m Min. NICKEL UNDER PLATING.
A	BODY	1	LCP E130I+30%GF UL94 V-0	BLACK

UNLESS OTHERWISE SPECIFIED TOLERANCES

Singatron Enterprise Co., Ltd.
信音企業股份有限公司

DECIMALS: ANGLES: TITLE: USB TYPE -C R/A HYBRID TYPE (CH=2.00)

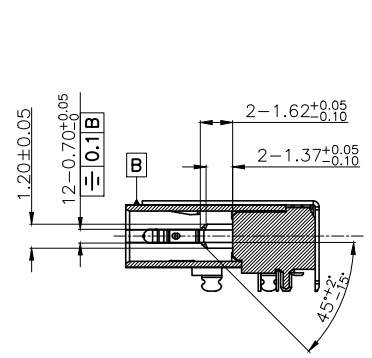
X : ± 0.5 X : $\pm 2^\circ$ DWN TAO PART NO: 2UB3C35-004111F

X.X : ± 0.3 X.X : $\pm 1^\circ$ CHKD Boye SCALE:4:1 UNIT: mm

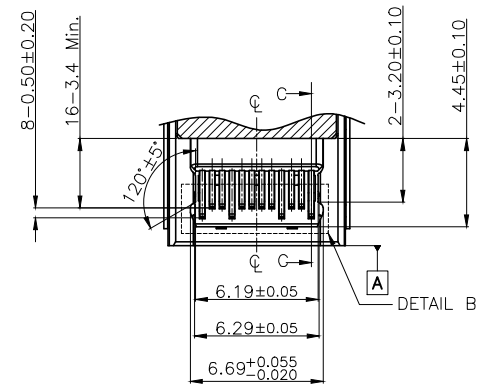
X.XX : ± 0.2 APVD LIAO SIZE: A3 SHEET:1 OF 2 REV: A

CUSTOMER COPY

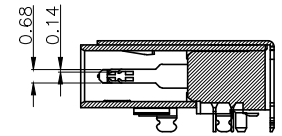
REV.	ECN NO OR DESCRIPTION	REVISED	DATE
A	PDR NO.:T210401-1A	TAO	2021.11.10



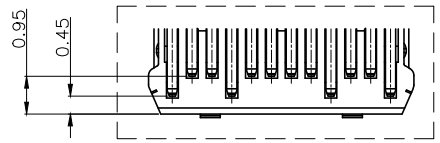
SECTION A-A



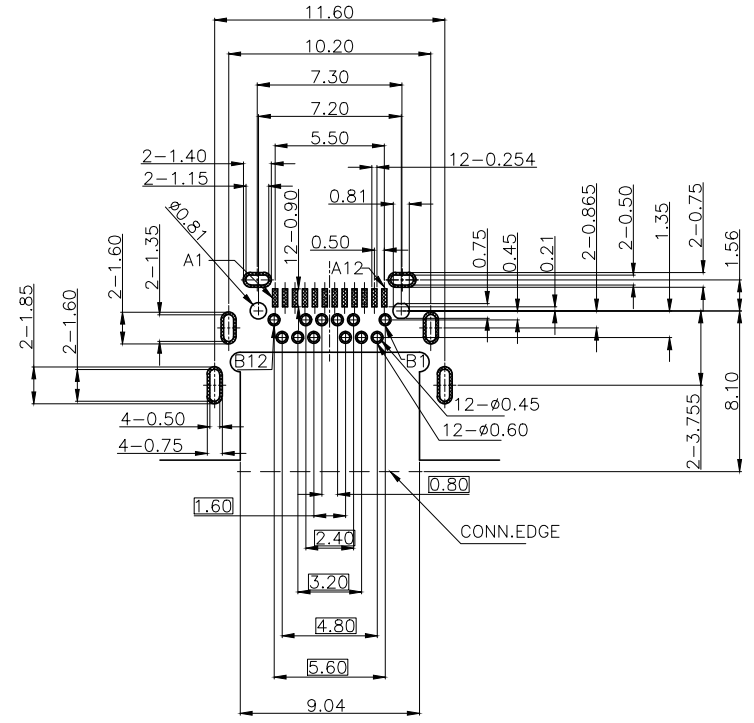
SECTION B-B



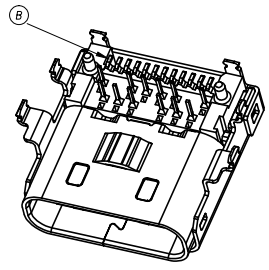
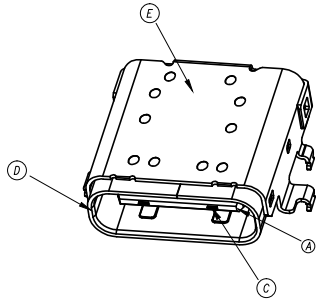
SECTION C-C



DETAIL B
SCALE 8:1



RECOMMENDED P.C.B LAYOUT (TOP VIEW)
TOLERANCE=±0.05(THK: 1.00mm)



3D VIEW

NO	DESCRIPTION	QTY	MATERIAL	PLATING & COLOR
UNLESS OTHERWISE SPECIFIED TOLERANCES		Singatron Enterprise Co., Ltd. 信音企業股份有限公司		
DECIMALS: ANGLES:		TITLE: USB TYPE -C R/A HYBRID TYPE (CH=2.00)		
X :±0.5	X :±2°	DWN TAO	PART NO: 2UB3C35-004111F	
X.X :±0.3	X.X :±1°	CHKD Boye	SCALE:4:1	UNIT: mm
X.XX :±0.2		APVD LIAO	SIZE: A3	SHEET:2 OF 2
REV: A				
CUSTOMER COPY				