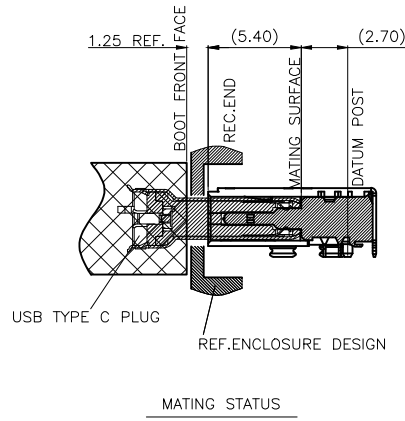
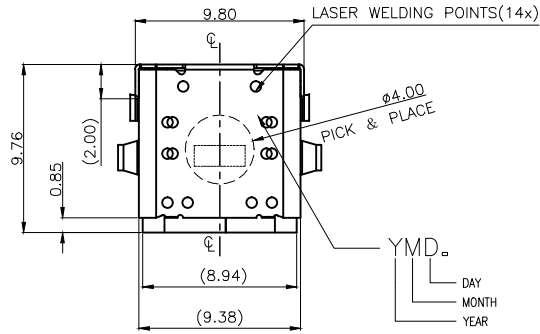


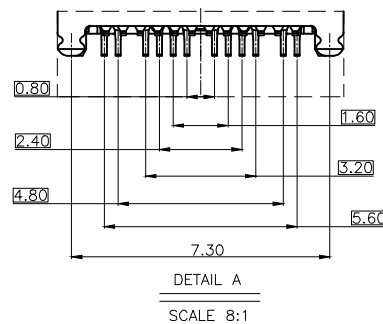
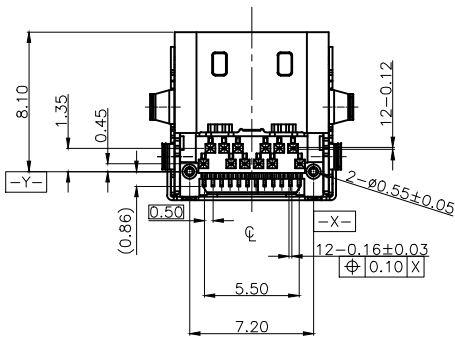
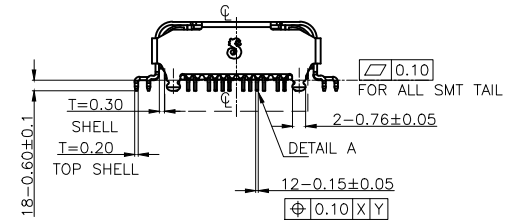
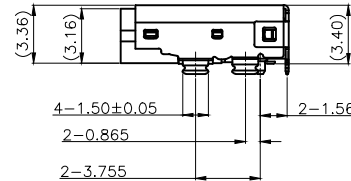
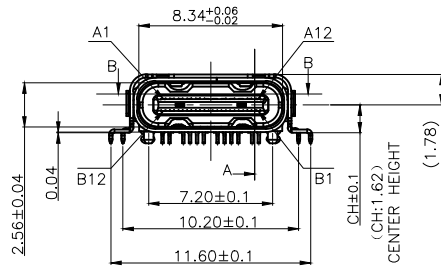
PIN ASSIGNMENT(Front)											
A1	A2	A3	A4	A5	A6	A7	A8	A9	A10	A11	A12
GND	TX1+	TX1-	Vbus	CC1	D+	D-	SBU1	Vbus	RX2-	RX2+	GND
GND	RX1+	RX1-	Vbus	SBU2	D-	D+	CC2	Vbus	TX2-	TX2+	GND
B12	B11	B10	B9	B8	B7	B6	B5	B4	B3	B2	B1

REV.	ECN NO OR DESCRIPTION	REVISED	DATE
A	PDR NO.:T210709-1A	TAO	2022.03.17
B	ECN NO.:S202204-C05	TAO	2022.04.29



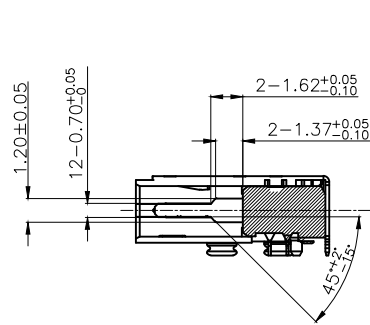
SPECIFICATIONS:

- ELECTRICAL CHARACTERISTICS:
 - LLCR:
 - VBUS & GND PINS: 40mΩ /PIN Max.
 - OTHER PINS: 40mΩ /PIN Max.
 - LLCR Max. CHANGE OF ALL PINS:10mΩ.
 - CURRENT RATING: 3.0A Max.
 - VOLTAGE RATING: 5.0V.
 - INSULATION RESISTANCE: 100MΩ Min.
- ENVIRONMENTAL PERFORMANCE:
 - OPERATING TEMPERATURE: -55°C~+85°C.
- MECHANICAL CHARACTERISTICS:
 - MATING FORCE: 5N~20N.
 - UNMATING FORCE: 14N~20N. AFTER TEST 8N~20N.
- LIFE TEST: 10000 CYCLES Min.
- TO CONFORM TO SINGATRON HAZARDOUS SUBSTANCE FREE SPEC.
- HALOGEN FREE PRODUCT IDENTIFICATION MARK ON JACK:
- HALOGEN FREE PRODUCT IDENTIFICATION LABEL ON PACKAGING:
- FOR REFLOW SOLDERING LEAD-FREE PROCESS.

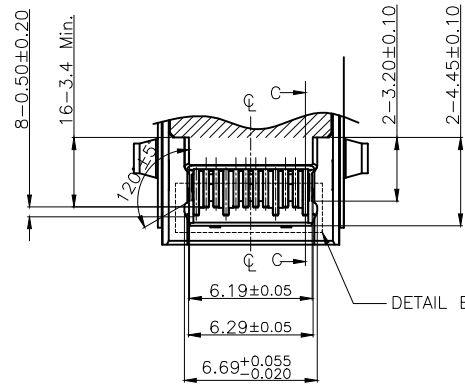


E	TOP SHELL	1	STAINLESS STEEL,T=0.20	60µin Min. SOLDERABLE NICKEL PLATING.
D	SHELL	1	STAINLESS STEEL,T=0.30	Cleaning
C	MID-GND	1	SUS301 T=0.15	Cleaning
B	CONTACT	24	C7025-TM03,T=0.12	30µin Min. Au PLATING ON CONTACT AREA; 100µin Min. Matte. Tin PLATING ON SOLDER TAIL AREA, AND 60µin Min. NICKEL UNDER PLATING.
A	BODY	1	HIGH TEMP.THERMOPLASTIC	BLACK
NO	DESCRIPTION	QTY	MATERIAL	PLATING & COLOR
UNLESS OTHERWISE SPECIFIED TOLERANCES		Singatron Enterprise Co., Ltd. 信音企業股份有限公司		
DECIMALS:		TITLE		
ANGLES:		USB TYPE-C HYBRID TYPE CH=1.62mm		
X	:±0.5	X	:±2°	DWN TAO
X.X	:±0.3	X.X	:±1°	CHKD BOYE
X.XX	:±0.2	APVD	BOYE	SIZE: A3
		SCALE:4:1		UNIT: mm
		SHEET:1 OF 2		REV:B
CUSTOMER COPY				

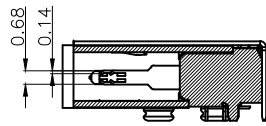
REV.	ECN NO OR DESCRIPTION	REVISED	DATE
A	PDR NO.:T210709-1A	TAO	2022.02.17
B	ECN NO.:S202204-C05	TAO	2022.04.29



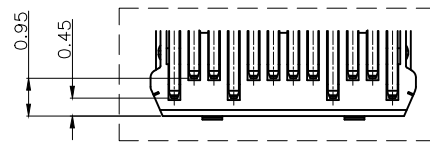
SECTION A-A



SECTION B-B

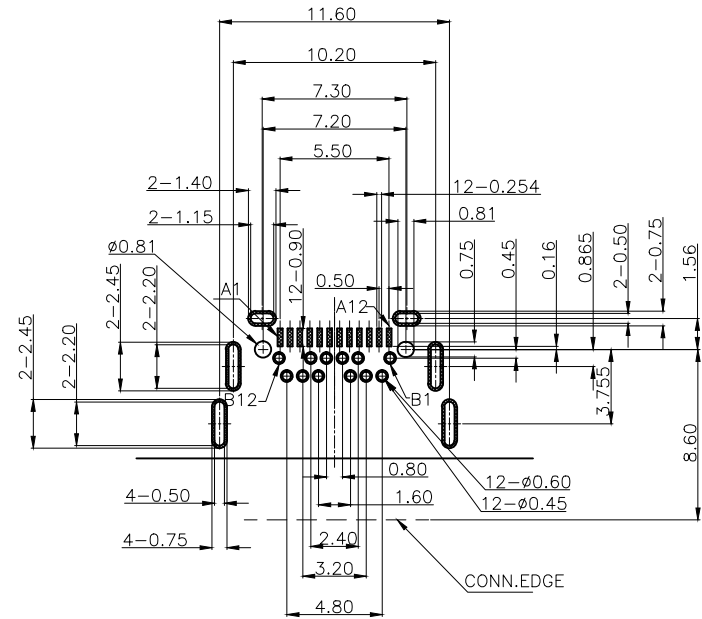


SECTION C-C



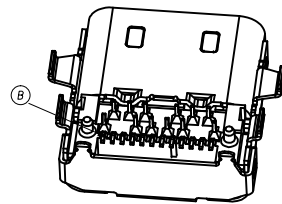
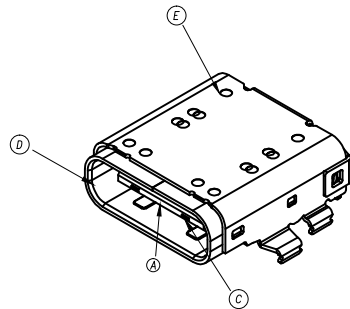
DETAIL B

SCALE 8:1




RECOMMENDED P.C.B LAYOUT(TOP VIEW)

TOLERANCE=±0.05(THK:1.00mm)



3D VIEW

NO	DESCRIPTION	QTY	MATERIAL	PLATING & COLOR
UNLESS OTHERWISE SPECIFIED TOLERANCES		 Singatron Enterprise Co., Ltd. 信音企業股份有限公司		
DECIMALS: ANGLES:		TITLE: USB TYPE-C HYBRID TYPE CH=1.62mm		
X	:±0.5	X	:±2°	DWN TAO PART NO: 2UB3C35-005111F
X.X	:±0.3	X.X	:±1°	CHKD BOYE SCALE:4:1 UNIT: mm
X.XX	:±0.2	APVD BOYE SIZE: A3 SHEET:2 OF 2		REV:B
CUSTOMER COPY				