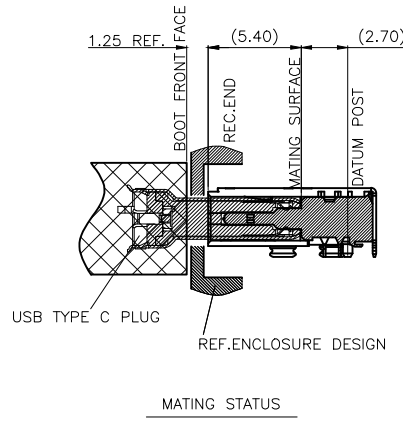
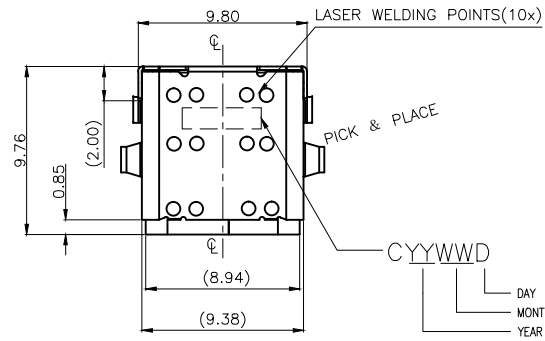


PIN ASSIGNMENT(Front)											
A1	A2	A3	A4	A5	A6	A7	A8	A9	A10	A11	A12
GND	TX1+	TX1-	Vbus	CC1	D+	D-	SBU1	Vbus	RX2-	RX2+	GND
GND	RX1+	RX1-	Vbus	SBU2	D-	D+	CC2	Vbus	TX2-	TX2+	GND
B12	B11	B10	B9	B8	B7	B6	B5	B4	B3	B2	B1

REV.	ECN NO OR DESCRIPTION	REVISED	DATE
A	PDR NO.:T210818-3A	TAO	2022.03.17
B	ECN NO.:S202204-C05	TAO	2022.04.29



SPECIFICATIONS:

1. ELECTRICAL CHARACTERISTICS:

- 1-1. LLCR:
  - VBUS & GND PINS: 40mΩ /PIN Max.
  - OTHER PINS: 40mΩ /PIN Max.
  - LLCR Max. CHANGE OF ALL PINS:10mΩ.
- 1-2. CURRENT RATING: 3.0A Max.
- 1-3. VOLTAGE RATING: 5.0V.
- 1-4. INSULATION RESISTANCE: 100MΩ Min.
- 1-5. ENVIRONMENTAL PERFORMANCE:
  - OPERATING TEMPERATURE: -55°C~+85°C.

2. MECHANICAL CHARACTERISTICS:

- 2-1. MATING FORCE: 5N~20N.
- 2-2. UNMATING FORCE: 14N~20N. AFTER TEST 8N~20N.

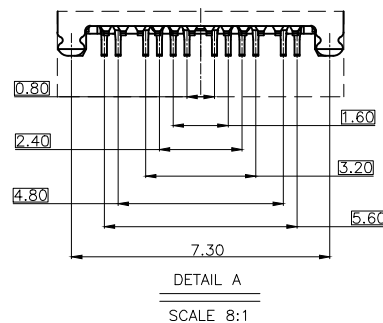
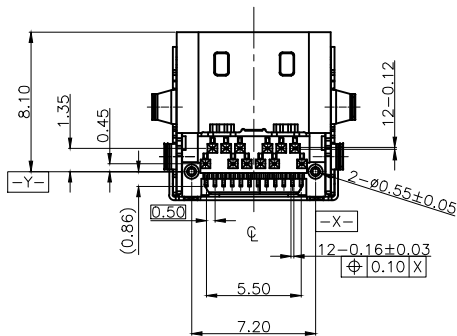
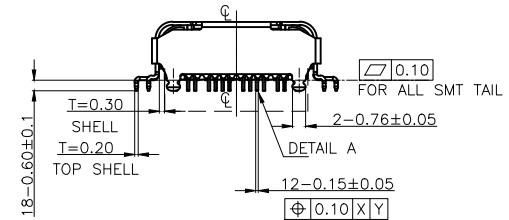
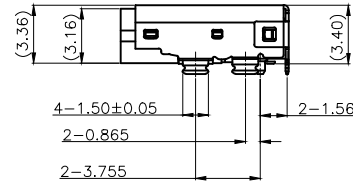
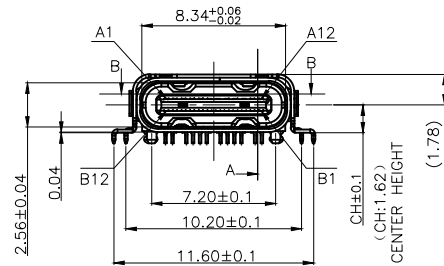
3. LIFE TEST: 10000 CYCLES Min.

4. TO CONFORM TO SINGATRON HAZARDOUS SUBSTANCE FREE SPEC.

5. HALOGEN FREE PRODUCT IDENTIFICATION MARK ON JACK:

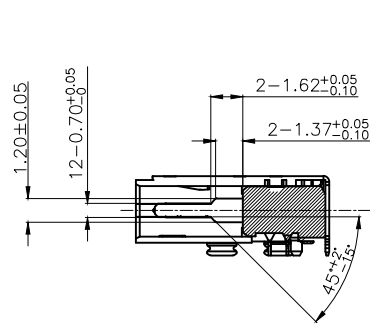
6. HALOGEN FREE PRODUCT IDENTIFICATION LABEL ON PACKAGING:

7. FOR REFLOW SOLDERING LEAD-FREE PROCESS.

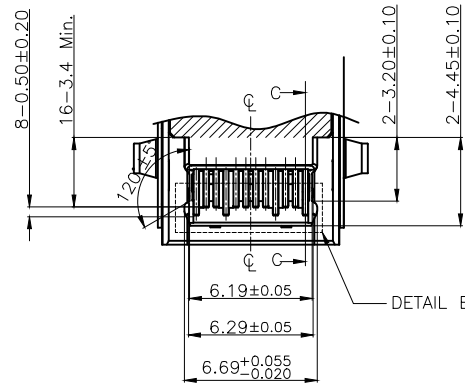


E	TOP SHELL	1	STAINLESS STEEL,T=0.20	60µin Min. SOLDERABLE NICKEL PLATING.
D	SHELL	1	STAINLESS STEEL,T=0.30	Cleaning
C	MID-GND	1	SUS301 T=0.15	Cleaning
B	CONTACT	24	C7025-TM03,T=0.12	30µin Min. Au PLATING ON CONTACT AREA; 100µin Min. Matte. Tin PLATING ON SOLDER TAIL AREA, AND 60µin Min. NICKEL UNDER PLATING.
A	BODY	1	HIGH TEMP.THERMOPLASTIC	BLACK
NO	DESCRIPTION	QTY	MATERIAL	PLATING & COLOR
UNLESS OTHERWISE SPECIFIED TOLERANCES		Singatron Enterprise Co., Ltd. 信音企業股份有限公司		
DECIMALS:		TITLE		
ANGLES:		USB TYPE-C HYBRID TYPE CH=1.62mm		
X	:±0.5	X	:±2°	DWN TAO
X.X	:±0.3	X.X	:±1°	CHKD BOYE
X.XX	:±0.2	APVD	BOYE	UNIT: mm
		SIZE: A3	SHEET:1 OF 2	REV:B
CUSTOMER COPY				

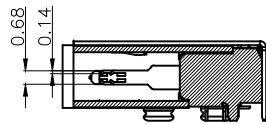
REV.	ECN NO OR DESCRIPTION	REVISED	DATE
A	PDR NO.:T210818-3A	TAO	2022.02.17
B	ECN NO.:S202204-C05	TAO	2022.04.29



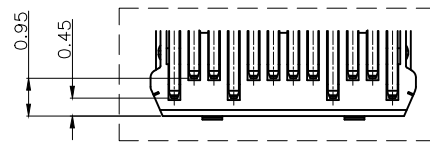
SECTION A-A



SECTION B-B

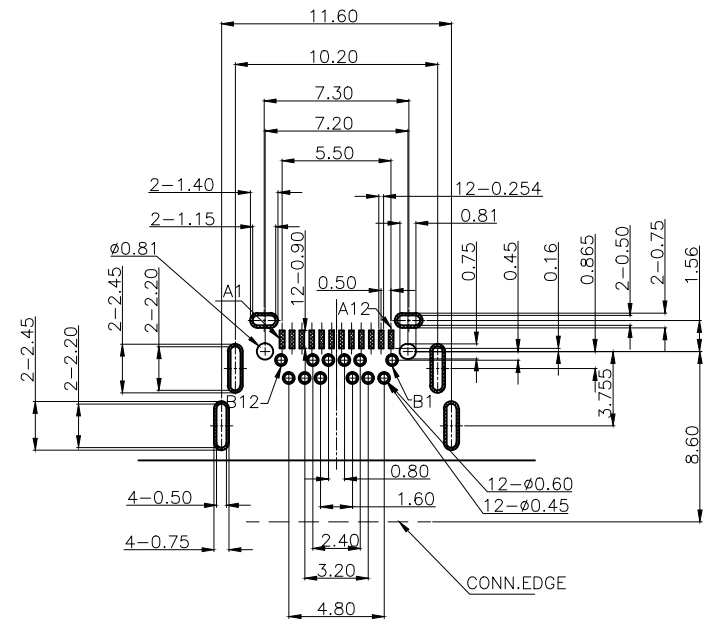


SECTION C-C



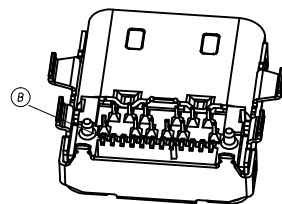
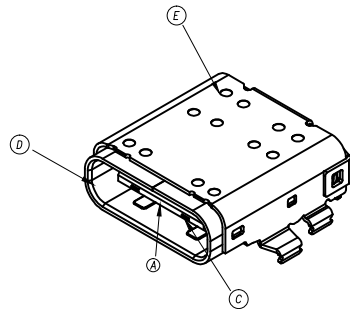
DETAIL B

SCALE 8:1




RECOMMENDED P.C.B LAYOUT (TOP VIEW)

TOLERANCE=±0.05 (THK: 1.00mm)



3D VIEW

NO	DESCRIPTION	QTY	MATERIAL	PLATING & COLOR
UNLESS OTHERWISE SPECIFIED TOLERANCES		 Singatron Enterprise Co., Ltd. 信音企業股份有限公司		
DECIMALS: ANGLES:		TITLE: USB TYPE-C HYBRID TYPE CH=1.62mm		
X	:±0.5	X	:±2°	DWN TAO PART NO: 2UB3C35-006111F
X.X	:±0.3	X.X	:±1°	CHKD BOYE SCALE:4:1 UNIT: mm
X.XX	:±0.2	APVD BOYE SIZE: A3 SHEET:2 OF 2		REV:B
CUSTOMER COPY				