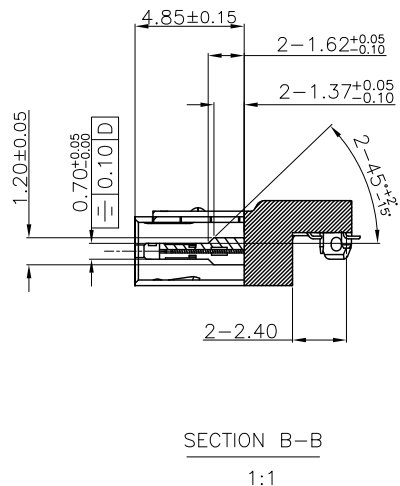
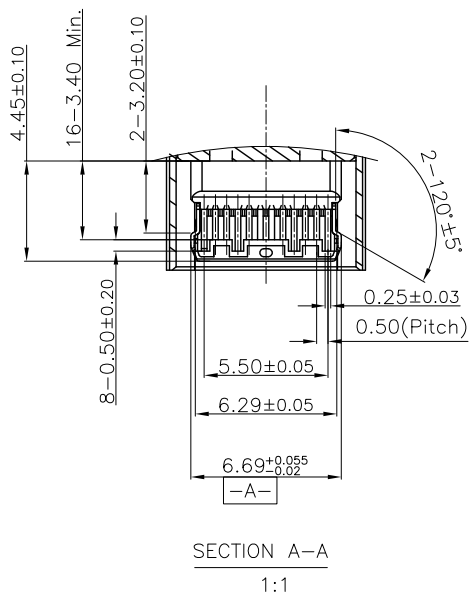




REV.	ECN NO OR DESCRIPTION	REVISED	DATE
A	PDR NO.:T191022-1A	ERIC	2021.01.12
C	ECN NO.:S202107-M02	TAO	2021.08.06
D	ECN NO.:S202111-R24	ERIC	2022.01.10



E	TOP SHELL	1	SUS304,T=0.25	80μin Min. Solderable Nickel plating.
D	SHELL	1	SUS304,T=0.25	80μin Min. Solderable Nickel plating.
C	MID-GND	1	SUS301 T=0.15	80μin Min. Solderable Nickel plating.
B	CONTACT	24	C64775-H,T=0.12	Selective 30μin Min. Au plating on contact area, Selective 80μin Min. Matte Tin plating on solder tail area, and 80μin Min. Nickel under plating.
A	BODY	1	LCP 6808U UL94V-0	BLACK

NO	DESCRIPTION	QTY	MATERIAL	PLATING & COLOR
----	-------------	-----	----------	-----------------

UNLESS OTHERWISE SPECIFIED TOLERANCES

Singatron Enterprise Co., Ltd.  
信音企業股份有限公司

DECIMALS:	ANGLES:	TITLE	USB TYPE-C Dual SMT (C.H=-0.55)	
X :±0.5	X :±2°	DWN	ERIC	PART NO: 2UB3C37-002111F
X.X :±0.3	X.X :±1°	CHKD	Boye	SCALE:4:1 UNIT: mm
X.XX :±0.2		APVD	Liao	SIZE: A3 SHEET:2 OF 2 REV:D

CUSTOMER COPY