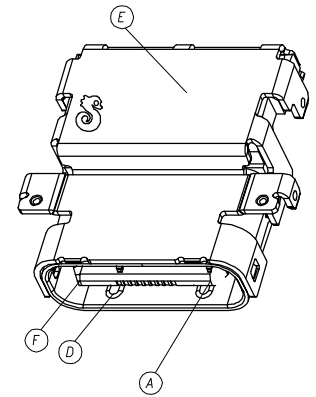
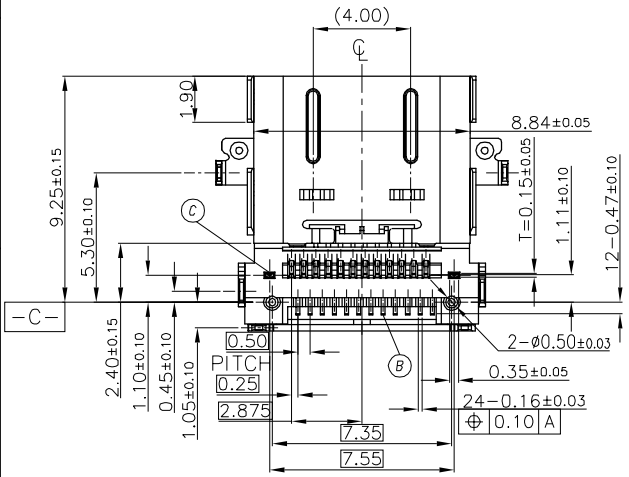
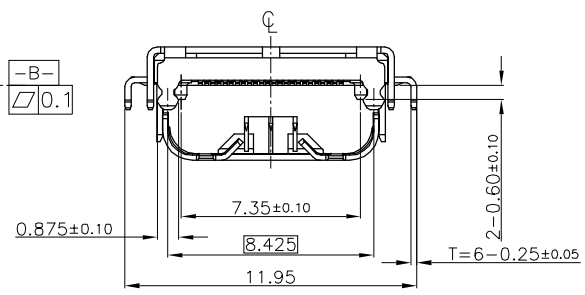
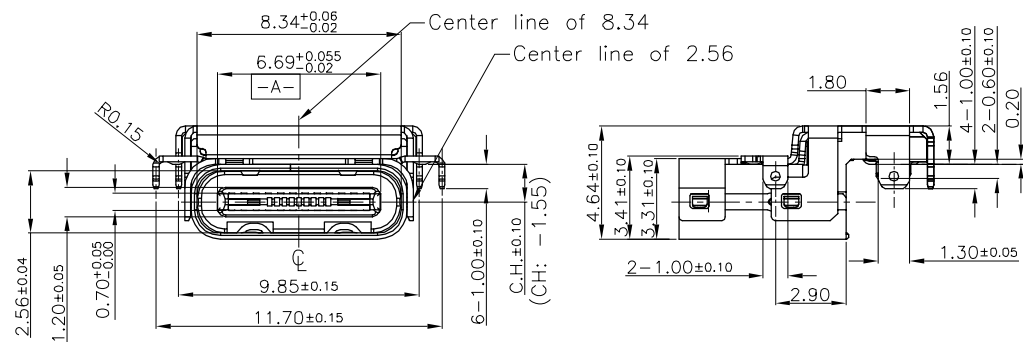
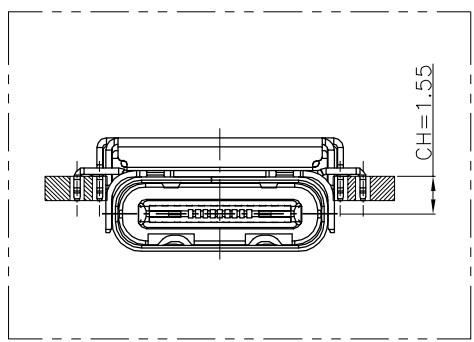
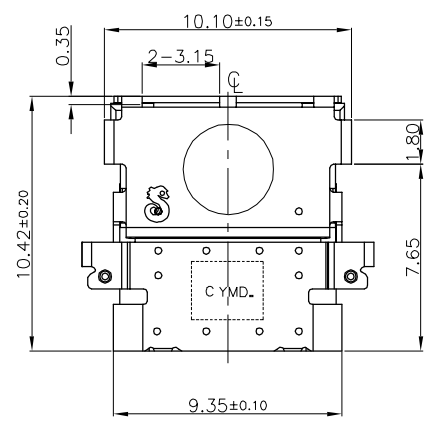


| PIN ASSIGNMENT(Front) | | | | | | | | | | | | | | | | | | | | | | | |
|-----------------------|------|------|------|-----|----|----|------|------|------|------|-----|-----|------|------|------|------|----|----|-----|------|------|------|-----|
| A2 | A3 | A4 | A5 | A6 | A7 | A8 | A9 | A10 | A11 | A12 | B12 | B11 | B10 | B9 | B8 | B7 | B6 | B5 | B4 | B3 | B2 | B1 | |
| GND | TX1+ | TX1- | Vbus | CC1 | D+ | D- | SBU1 | Vbus | RX2- | RX2+ | GND | GND | RX1+ | RX1- | Vbus | SBU2 | D- | D+ | CC2 | Vbus | TX2- | TX2+ | GND |

| REV. | ECN NO OR DESCRIPTION | REVISED | DATE |
|------|-----------------------|---------|------------|
| A | PDR NO. T210728-5A | HAOLAN | 2021.11.26 |

SPECIFICATIONS:

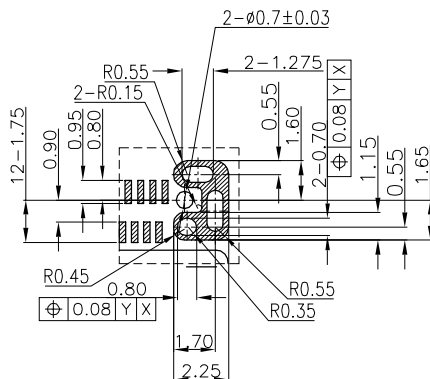
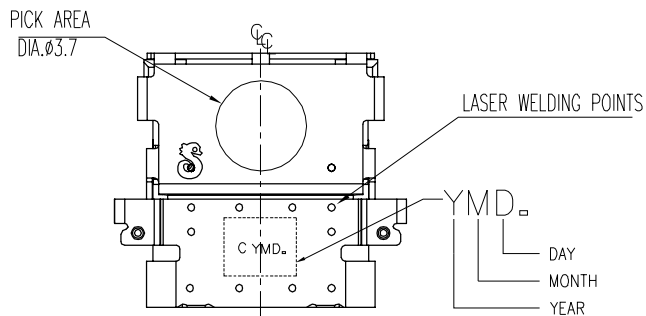
- ELECTRICAL CHARACTERISTICS:
 - LLCR:
 - VBUS & GND PINS: 40mΩ/PIN Max.
 - OTHER PINS: 40mΩ/PIN Max.
 - LLCR Max. CHANGE OF ALL PINS: 10mΩ
 - CURRENT RATING: 3.0A Max.
 - VOLTAGE RATING: 5.0V.
 - INSULATION RESISTANCE: 100MΩ Min.
 - ENVIRONMENTAL PERFORMANCE:
 - OPERATING TEMPERATURE: -55°C~+85°C.
- MECHANICAL CHARACTERISTICS:
 - MATING FORCE: 5-20N.
 - UNMATING FORCE: 14N-20N. After test 8N-20N.
- LIFE TEST: 10000 CYCLES Min.
- TO CONFORM TO SINGATRON HAZARDOUS SUBSTANCE FREE SPEC.
- HALOGEN FREE PRODUCT IDENTIFICATION MARK ON JACK:
- HALOGEN FREE PRODUCT IDENTIFICATION LABEL ON PACKAGING:
- FOR REFLOW SOLDERING LEAD-FREE PROCESS.



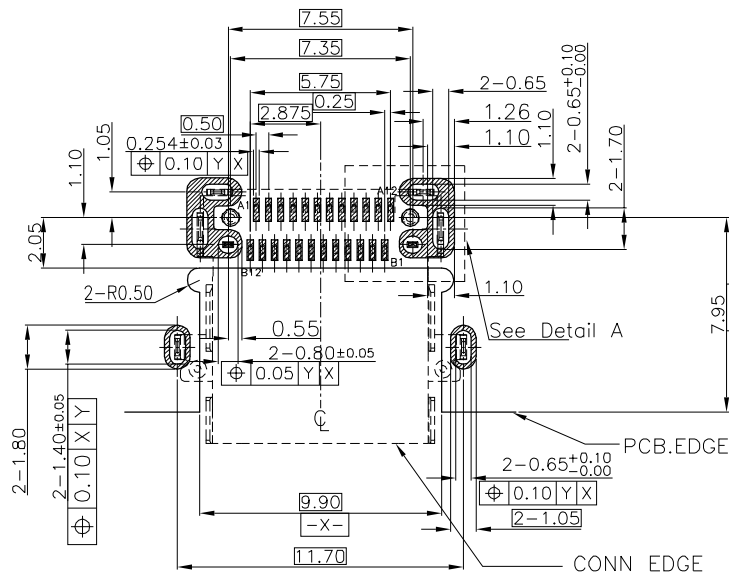
| F | Latch | 1 | SUS301 T=0.15 | N/A |
|---------------------------------------|-------------|---------|--|--|
| E | TOP SHELL | 1 | STAINLESS STEEL,T=0.25 | 30uin Min. Solderable Nickel plating. |
| D | SHELL | 1 | STAINLESS STEEL,T=0.25 | 30uin Min. Solderable Nickel plating. |
| C | MID-GND | 1 | SUS301 T=0.15 | N/A |
| B | Terminal | 24 | C7025-TM03,T=0.12 | 30uin Min. Gold plating on contact area, G/F plating on solder tail area, and 80uin Min. Nickel under plating. |
| A | BODY | 1 | LCP E471; UL94-V0 | BLACK |
| NO | DESCRIPTION | QTY | MATERIAL | PLATING & COLOR |
| UNLESS OTHERWISE SPECIFIED TOLERANCES | | | Singatron Enterprise Co., Ltd. 信音企業股份有限公司 | |
| DECIMALS: | | ANGLES: | TITLE | |
| X | :±0.5 | X | :±2° | DWN HAOLAN |
| X.X | :±0.3 | X.X | :±1° | CHKD allen |
| X.XX | :±0.2 | | | APVD boye |
| | | | SCALE:4:1 | UNIT: mm |
| | | | SIZE: A3 | SHEET:1 OF 2 |
| | | | | REV:A |
| CUSTOMER COPY | | | | |

| PIN ASSIGNMENT(Front) | | | | | | | | | | | | | | | | | | | | | | | |
|-----------------------|----------|------|-----|----|----|------|------|------|------|-----|-----|----------|------|------|----|----|-----|------|------|------|-----|----|----|
| A1 | A2 | A3 | A4 | A5 | A6 | A7 | A8 | A9 | A10 | A11 | A12 | B12 | B11 | B10 | B9 | B8 | B7 | B6 | B5 | B4 | B3 | B2 | B1 |
| GND | TX1+TX1- | Vbus | CC1 | D+ | D- | SBU1 | Vbus | RX2- | RX2+ | GND | GND | RX1+RX1- | Vbus | SBU2 | D- | D+ | CC2 | Vbus | TX2- | TX2+ | GND | | |

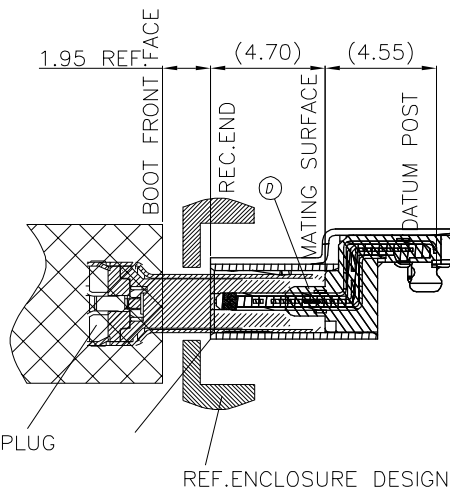
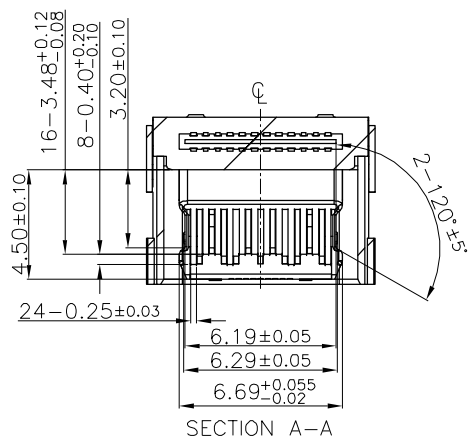
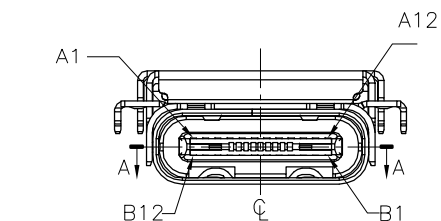
| REV. | ECN NO OR DESCRIPTION | REVISED | DATE |
|------|-----------------------|---------|------------|
| A | PDR NO. T210728-5A | HAOLAN | 2021.11.26 |



DETAIL A
SCALE 2:1



RECOMMENDED P.C.B LAYOUT(TOP VIEW)
TOLERANCE: ± 0.05 (THK:1.00mm)



MATING DRAWING

| NO | DESCRIPTION | QTY | MATERIAL | PLATING & COLOR |
|---------------------------------------|---------------------|-------|--|-----------------------------|
| UNLESS OTHERWISE SPECIFIED TOLERANCES | | | Singatron Enterprise Co., Ltd. 信音企業股份有限公司 | |
| DECIMALS: | ANGLES: | TITLE | USB TYPE -C Dual SMT (C.H.=1.55) TBT4 | |
| X : ± 0.5 | X : $\pm 2^\circ$ | DWN | haolan | PART NO: 2UB3C39-004111F |
| X.X : ± 0.3 | X.X : $\pm 1^\circ$ | CHKD | allen | SCALE:4:1 UNIT: mm |
| X.XX : ± 0.2 | | APVD | boye | SIZE: A3 SHEET:2 OF 2 REV:A |
| CUSTOMER COPY | | | | |